



# SLX-D

## Wireless System

Shure online user guide for SLX-D digital wireless system.  
Version: 3.0 (2020-G)

# Table of Contents

<b>SLX-D Wireless System</b>	<b>3</b>	What are Groups and Channels?	20
<b>IMPORTANT SAFETY INSTRUCTIONS</b>	<b>3</b>	Using the Guided Frequency Setup	21
<b>WARNING</b>	<b>4</b>	Manual Frequency Selection	22
<b>Important Product Information</b>	<b>4</b>	Linking Two Transmitters to a Receiver	23
LICENSING INFORMATION	4	Adding SLX-D to Other Shure Wireless Systems	23
Australia Warning for Wireless	4	<b>Radio Frequency (RF) Settings</b>	<b>23</b>
<b>Overview</b>	<b>5</b>	Setting the Transmitter RF Power	23
Features	5	<b>Networking</b>	<b>24</b>
System Components	6	Connecting to a Network	24
<b>Set Up the Receiver</b>	<b>8</b>	Automatic IP Addressing	24
<b>Wearing the Bodypack Transmitter</b>	<b>9</b>	Configuration Tips	24
<b>Hardware Interface</b>	<b>10</b>	Network Troubleshooting	24
Receiver Front and Back Panels	10	Connecting to an External Control System	24
Navigating the Receiver Menus	11	<b>Firmware Updates</b>	<b>24</b>
Transmitters	13	Firmware Release Requirements	25
Transmitter Menu Options and Navigation	15	<b>Mount the SLX-D Receiver in a Rack</b>	<b>25</b>
Locking and Unlocking the Receiver Controls	15	Installing Footpads	26
<b>Batteries and Chargers</b>	<b>16</b>	<b>Accessories</b>	<b>27</b>
Install Transmitter Batteries	16	Optional Accessories	27
Setting the AA Battery Type	17	<b>Specifications</b>	<b>31</b>
Shure SB903 Rechargeable Battery	17	Receiver Output Connectors	38
Average Charging Times	19	Transmitter Input	38
<b>Sound Check and Gain Adjustment</b>	<b>19</b>	Frequency Range and Transmitter Output Power	38
<b>System Set Up</b>	<b>20</b>	<b>Frequencies for European Countries</b>	<b>39</b>
Creating Audio Channels	20	<b>Certifications</b>	<b>41</b>
		Information to the user	41

# SLX-D Wireless System

## IMPORTANT SAFETY INSTRUCTIONS

1. READ these instructions.
2. KEEP these instructions.
3. HEED all warnings.
4. FOLLOW all instructions.
5. DO NOT use this apparatus near water.
6. CLEAN ONLY with dry cloth.
7. DO NOT block any ventilation openings. Allow sufficient distances for adequate ventilation and install in accordance with the manufacturer's instructions.
8. DO NOT install near any heat sources such as open flames, radiators, heat registers, stoves, or other apparatus (including amplifiers) that produce heat. Do not place any open flame sources on the product.
9. DO NOT defeat the safety purpose of the polarized or grounding type plug. A polarized plug has two blades with one wider than the other. A grounding type plug has two blades and a third grounding prong. The wider blade or the third prong are provided for your safety. If the provided plug does not fit into your outlet, consult an electrician for replacement of the obsolete outlet.
10. PROTECT the power cord from being walked on or pinched, particularly at plugs, convenience receptacles, and the point where they exit from the apparatus.
11. ONLY USE attachments/accessories specified by the manufacturer.
12. USE only with a cart, stand, tripod, bracket, or table specified by the manufacturer, or sold with the apparatus. When a cart is used, use caution when moving the cart/apparatus combination to avoid injury from tip-over.



13. UNPLUG this apparatus during lightning storms or when unused for long periods of time.
14. REFER all servicing to qualified service personnel. Servicing is required when the apparatus has been damaged in any way, such as power supply cord or plug is damaged, liquid has been spilled or objects have fallen into the apparatus, the apparatus has been exposed to rain or moisture, does not operate normally, or has been dropped.
15. DO NOT expose the apparatus to dripping and splashing. DO NOT put objects filled with liquids, such as vases, on the apparatus.
16. The MAINS plug or an appliance coupler shall remain readily operable.
17. The airborne noise of the Apparatus does not exceed 70dB (A).
18. Apparatus with CLASS I construction shall be connected to a MAINS socket outlet with a protective earthing connection.
19. To reduce the risk of fire or electric shock, do not expose this apparatus to rain or moisture.
20. Do not attempt to modify this product. Doing so could result in personal injury and/or product failure.
21. Operate this product within its specified operating temperature range.



This symbol indicates that dangerous voltage constituting a risk of electric shock is present within this unit.



This symbol indicates that there are important operating and maintenance instructions in the literature accompanying this unit.

## WARNING

- Battery packs may explode or release toxic materials. Risk of fire or burns. Do not open, crush, modify, disassemble, heat above 140°F (60°C), or incinerate.
- Follow instructions from manufacturer
- Only use Shure charger to recharge Shure rechargeable batteries
- **WARNING:** Danger of explosion if battery incorrectly replaced. Replace only with same or equivalent type.
- Never put batteries in mouth. If swallowed, contact your physician or local poison control center
- Do not short circuit; may cause burns or catch fire
- Do not charge or use battery packs other than Shure rechargeable batteries
- Dispose of battery packs properly. Check with local vendor for proper disposal of used battery packs.
- Batteries (battery pack or batteries installed) shall not be exposed to excessive heat such as sunshine, fire or the like
- Do not immerse the battery in liquid such as water, beverages, or other fluids.
- Do not attach or insert battery with polarity reversed.
- Keep away from small children.
- Do not use abnormal batteries.
- Pack the battery securely for transport.

## Important Product Information

### LICENSING INFORMATION

Licensing: A ministerial license to operate this equipment may be required in certain areas. Consult your national authority for possible requirements. Changes or modifications not expressly approved by Shure Incorporated could void your authority to operate the equipment. Licensing of Shure wireless microphone equipment is the user's responsibility, and licensability depends on the user's classification and application, and on the selected frequency. Shure strongly urges the user to contact the appropriate telecommunications authority concerning proper licensing, and before choosing and ordering frequencies.

低功率電波輻射性電機管理辦法

第十二條

經型式認證合格之低功率射頻電機，非經許可，公司、商號或使用者均不得擅自變更頻率、加大功率或變更原設計之特性及功能。第十四條

低功率射頻電機之使用不得影響飛航安全及干擾合法通信；經發現有干擾現象時，應立即停用，並改善至無干擾時方得繼續使用。前項合法通信，指依電信法規定作業之無線電通信。低功率射頻電機須忍受合法通信或工業、科學及醫療用電波輻射性電機設備之干擾。

## Australia Warning for Wireless

This device operates under an ACMA class licence and must comply with all the conditions of that licence including operating frequencies. Before 31 December 2014, this device will comply if it is operated in the 520-820 MHz frequency band.

**WARNING:** After 31 December 2014, in order to comply, this device must not be operated in the 694-820 MHz band.

## Canada Warning for Wireless

This device operates on a no-protection, no-interference basis. Should the user seek to obtain protection from other radio services operating in the same TV bands, a radio licence is required. For further details, consult Innovation, Science and Economic Development Canada's document Client Procedures Circular CPC-2-1-28, Voluntary Licensing of Licence-Exempt Low-Power Radio Apparatus in the TV Bands.

Ce dispositif fonctionne selon un régime de non-brouillage et de non-protection. Si l'utilisateur devait chercher à obtenir une certaine protection contre d'autres services radio fonctionnant dans les mêmes bandes de télévision, une licence radio serait requise. Pour en savoir plus, veuillez consulter la Circulaire des procédures concernant les clients CPC-2-1-28, Délivrance de licences sur une base volontaire pour les appareils radio de faible puissance exempts de licence et exploités dans les bandes de télévision d'Innovation, Sciences et Développement économique Canada.

(一) 符合“低功率频段无线电发射设备目录和技术要求”的具体条款和使用场景，所用的无线类型和功能、调制、调整及开/关等使用方法；  
 (二) 不得擅自改变使用参数或使用条件、扩大发射功率位置、加大发射功率（包括额外加载射频功率放大器），不得擅自更改发射天线；  
 (三) 不得对其他合法的无线电台（站）产生有害干扰，也不得提出免受有害干扰保护；  
 (四) 应当承受辐射剂量超量的工业、科学及医疗（ISM）应用设备的干扰其他合法的无线电台（站）干扰；  
 (五) 如对其他合法的无线电台（站）产生有害干扰时，应立即停止使用，并采取措施消除干扰后方可继续使用；

เครื่องโทรคมนาคมและอุปกรณ์นี้มีความสอดคล้องตามมาตรฐานหรือข้อกำหนดทางเทคนิคของ กสทช.

## Overview

SLX-D Digital Wireless delivers clear audio and stable RF performance with easy setup and rechargeability options. SLX-D is built to handle a wide range of applications, from day-long conferences to nighttime performances.

Automatic channel scan and IR sync are even easier with a guided setup feature programmed into each SLX-D wireless receiver. Manage multiple-system group scans and firmware updates with third-party setup and control via Ethernet. Operate up to 32 compatible systems per 44 MHz band for up to 8 hours from 2 AA batteries, or add Shure SB903 rechargeable batteries and charger accessories. SLX-D provides >120 dB dynamic range and stable, efficient RF transmission for a selection of handheld, lavalier and headset microphones.

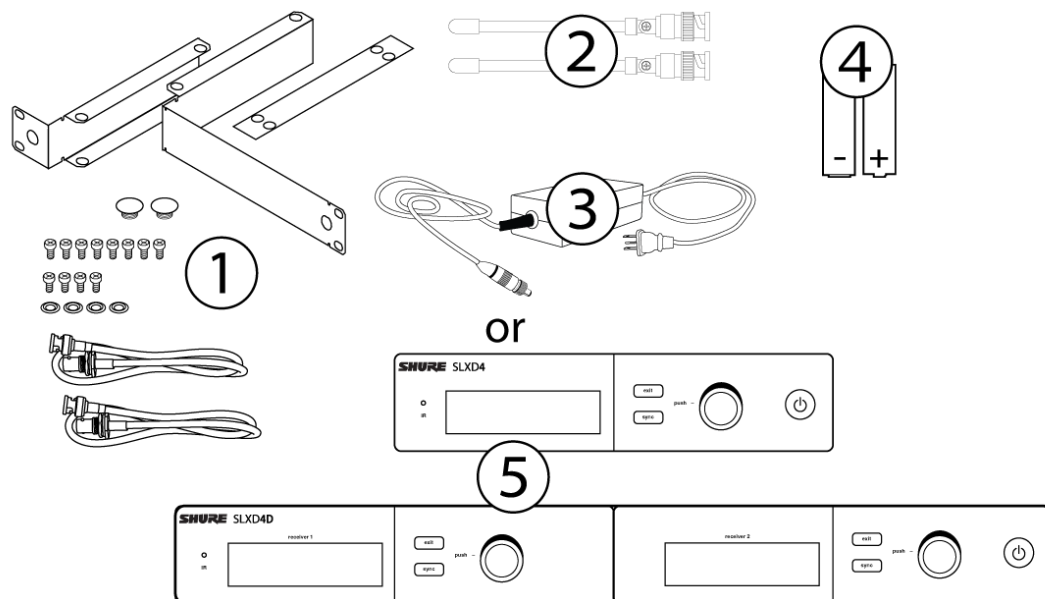
## Features

- Transparent 24-bit digital audio
- Extended 20 Hz to 20 kHz frequency range (microphone dependent)
- 120 dB dynamic range
- Digital predictive switching diversity
- 44 MHz tuning bandwidth (region dependent)
- 32 available channels per frequency band (region dependent)
- Up to 10 compatible systems per 6MHz TV band; 12 systems per 8 MHz band
- Easy pairing of transmitters and receivers over IR scan and sync
- Automatic channel scan
- Link multiple receivers for group scan and firmware updates via Ethernet port
- Third-party setup and control via Ethernet
- Elegant and easy-to-use interface with high-contrast LCD menu
- Guided setup mode installed in each SLX-D receiver
- Transmitters use 2 AA batteries or Shure SB903 rechargeable battery
- System configurations include handheld transmitters with interchangeable microphone capsules, bodypacks with a range of lavalier, headset and instrument microphones and single and dual rack-mountable receivers.

# System Components

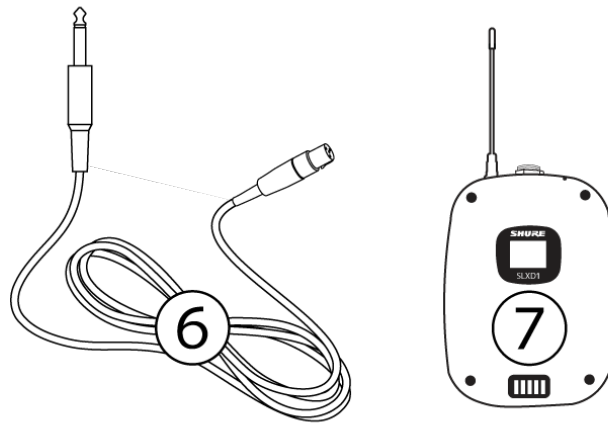
## All systems include:

- ① Rack mounting hardware
- ② ¼-wave antennas (2)
- ③ Power supply
- ④ 1.5V AA batteries (2)
- ⑤ SLXD4 or SLXD4D receiver



## Guitar system includes:

- ⑥ ¼" to mini 4-pin guitar cable
- ⑦ SLXD1 bodypack transmitter



**Vocal system includes:**

⑧

Microphone clip

⑨

SLXD2 handheld transmitter with microphone cartridge (choice of SM58<sup>®</sup>, SM86, Beta 58A<sup>®</sup>, Beta 87A<sup>™</sup>, Beta 87C<sup>™</sup>, or KSM8/B<sup>\*</sup>)



\*KSM8/B availability depends on region.

**Lavalier, Headworn, and Instrument systems include bodypack transmitter (⑩) and one of the following:**

⑩

WL183/WL185 lavalier microphone

⑪

WL93 miniature lavalier microphone

⑫

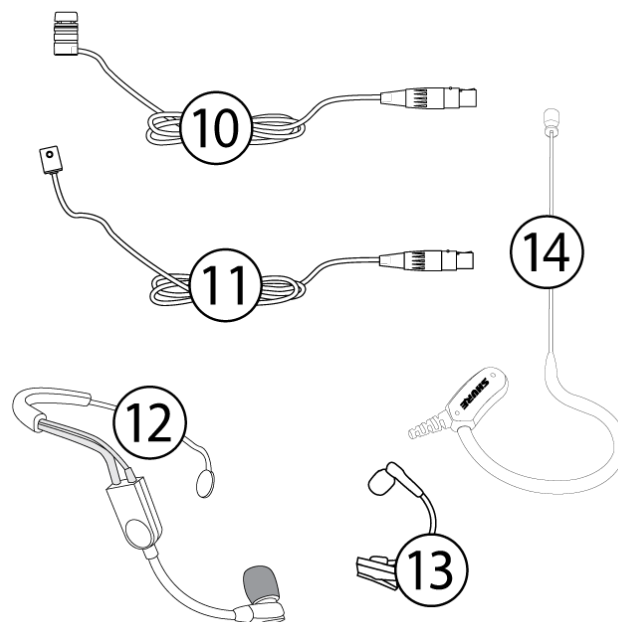
SM35 headset microphone

⑬

Beta 98H/C™ instrument microphone

⑭

MX153 earset headworn microphone

**Combo system includes:**

⑦

SLXD1 bodypack transmitter

⑨

Handheld transmitter with SM58 microphone head

⑪

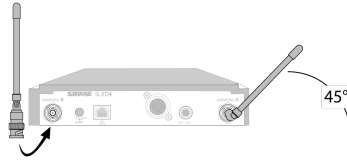
WL185 lavalier microphone

---

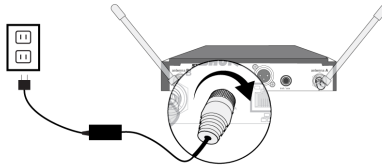
## Set Up the Receiver

1. Attach the included antennas to the back of the receiver.

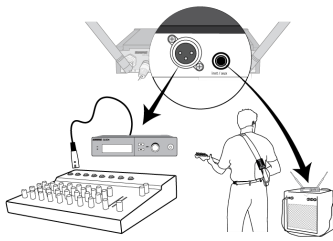




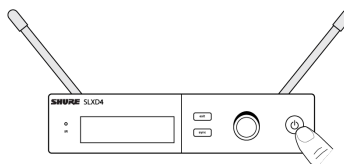
2. Connect the power supply to the receiver and plug the cord into an AC power source.



3. Connect the audio output to an amplifier or mixer.



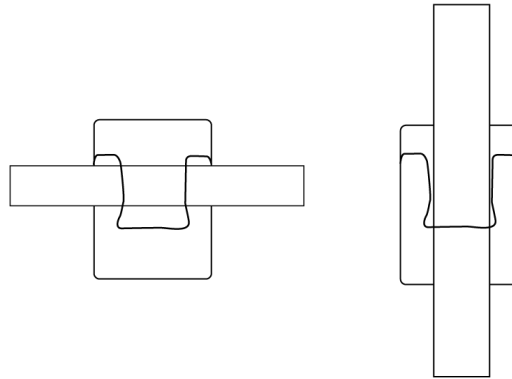
4. Press the power button on the receiver. Use the menu to set the system to microphone (mic) or instrument (line) level as appropriate.



## Wearing the Bodypack Transmitter

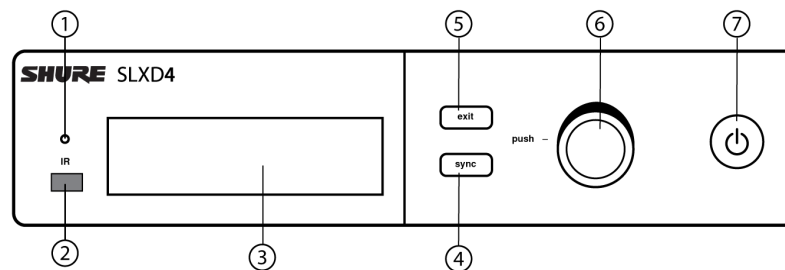
Clip the transmitter to a belt or slide a guitar strap through the transmitter clip as shown.

For best results, the belt should be pressed against the base of the clip.



## Hardware Interface

### Receiver Front and Back Panels



#### ① Sync LED

- Flashing: IR sync mode is enabled
- Solid: Receiver and transmitter aligned for IR sync

#### ② IR Port

Align with the transmitter IR port during an IR sync to program transmitters.

#### ③ Display

Shows menu options, receiver and transmitter settings.

#### ④ Sync Button

Press to activate IR sync.

## ⑤ Exit Button

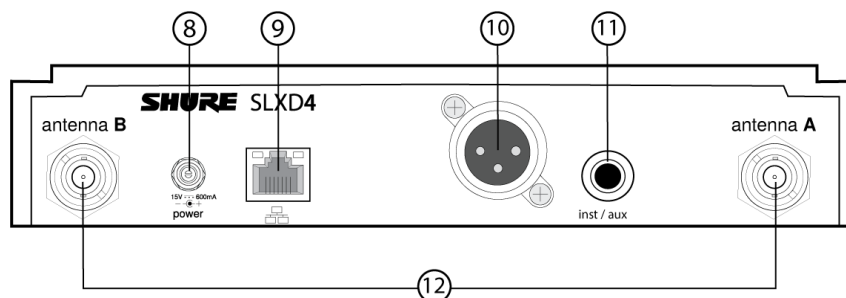
Press to cancel and exit the current operation.

## ⑥ Control Knob

Change menu parameters, push knob to confirm.

## ⑦ Power Button

Powers receiver on or off.



## ⑧ Power Supply Jack

Connection point for DC power supply.

## ⑨ Ethernet Port

For network connection.

- Amber LED (network speed):
  - off = 10 Mbps, on = 100 Mbps
- Green LED (network status):
  - off = no network link, on = network link active
  - flashing = rate corresponds to traffic volume

## ⑩ XLR Audio Output

Balanced (1: ground, 2: audio +, 3: audio -)

## ⑪ 1/4" Instrument/Auxiliary Output

Impedance Balanced (Tip: audio+, Ring: audio-, Sleeve: ground)

## ⑫ Antenna Connectors

BNC connector for receiver antennas

# Navigating the Receiver Menus

The receiver has a main menu for setup and configuration and an advanced menu to access additional receiver functions. Use the control knob to navigate menu screens and confirm selections; use the exit button to return to the previous level.

## Main Menu

Push the control knob button to access the menu, and rotate to advance to the next menu screen.

<b>1. Frequency Setup</b>	<b>1.1 Guided Frequency Setup</b>	Step-by-step instructions to initialize a new system, or to add a receiver to an existing system
	<b>1.2 Group Scan</b>	Receiver automatically scans for the best available group, if applicable. <b>Note:</b> Some bands consist of only a single group. RF performance is the same in single-group bands as in bands that support multiple groups.
	<b>1.3 Channel Scan</b>	Receiver automatically scans for available channels within the selected group
	<b>1.4 Manual Frequency Setup</b>	Manually tune the receiver to a desired frequency
<b>2. Channel Name</b>	Customize the channel name	
<b>3. Gain</b>	Monitor audio levels and adjust the receiver gain	
<b>4. Mic/Line Level</b>	Switch between output levels	
<b>5. Advanced Settings</b>	<b>5.1 Device Lock</b>	<ul style="list-style-type: none"> <li>• Unlock: Receiver is unlocked</li> <li>• Lock Menu: Receiver settings are locked</li> <li>• Lock Menu &amp; Power: Receiver settings and power button are locked</li> </ul>
	<b>5.2 Network Configuration</b>	Switch between automatic and manual IP addressing
	<b>5.3 Controller Access</b>	Block or allow third-party control access
	<b>5.4 Transmitter Preset</b>	Apply and sync transmitter presets
	<b>5.5 Device Preset</b>	Save current receiver settings or restore last saved settings
	<b>5.6 Factory Reset</b>	Restores all settings to factory defaults following a system reboot
	<b>5.7 Transmitter Firmware</b>	Update transmitter firmware using IR sync

	<b>5.8 About</b>	Displays firmware version and serial number
<b>6. Help</b>	Provides a link to additional materials ( <a href="http://help.shure.com/slxd4">http://help.shure.com/slxd4</a> )	

## Transmitters

### ① Power LED

- Green = unit is powered on
- Red = low battery

### ② On/Off Switch

Powers the transmitter on or off.

### ③ Display:

View menu screens and settings. Press any control button to activate the display.

### ④ IR Port

Align with the receiver IR port during an IR sync for automated transmitter programming.

### ⑤ Menu Navigation Buttons

menu = Use to navigate between menu screens.

enter = Press to confirm and save parameter changes.

### ⑥ Battery Compartment

Requires 2 AA batteries or a Shure SB903 rechargeable battery.

### ⑦ Battery Cover

Screws into place to protect battery compartment during use.

### ⑧ Bodypack Antenna

For RF signal transmission.

### ⑨ Handheld Integrated Antenna

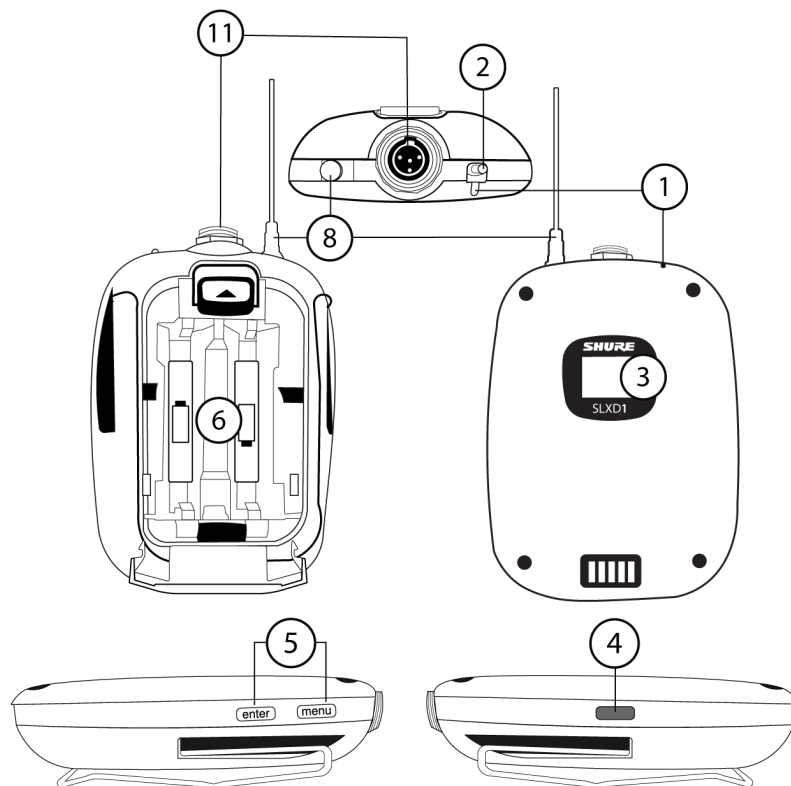
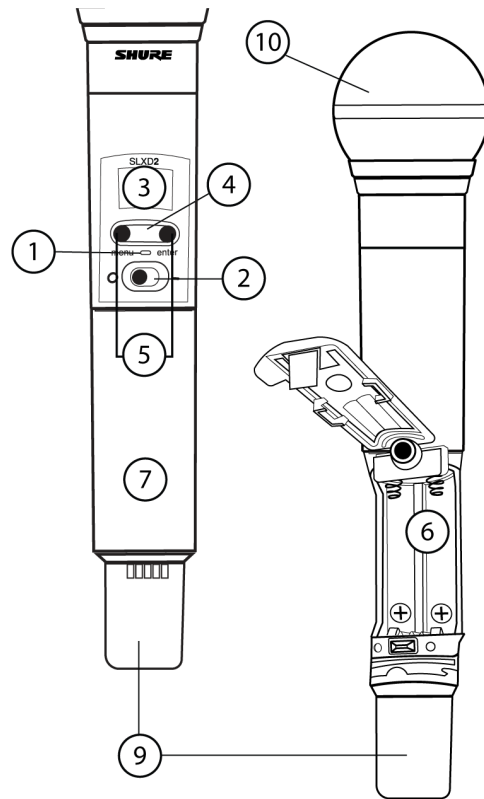
For RF signal transmission.

### ⑩ Microphone Cartridge

Interchangeable with a variety of Shure cartridges.

### ⑪ TA4M Input Jack

Connects to a 4-Pin Mini Connector (TA4F) microphone or instrument cable.



## Transmitter Menu Options and Navigation

The transmitter features individual menu screens for setting up and adjusting the transmitter. To access the menu options from the home screen, press the menu button. Each additional press of the menu button advances to the next menu screen. Use the enter button to select and confirm options on the active menu screen.

<b>Home Screen</b>	<p>Use the enter button to select one of the following home screen displays:</p> <ul style="list-style-type: none"> <li>• Channel name/Group and channel/Battery icon</li> <li>• Channel name/Frequency/Battery icon</li> <li>• Channel name/Battery icon/Group and channel</li> <li>• Channel name/Battery icon</li> </ul>
<b>① Mic Offset</b>	<p>Match audio levels between two transmitters used in a combo system. Range is 0 to 21 dB (3 dB increments).</p>
<b>② RF Power</b>	<p>Select an RF power setting:</p> <ul style="list-style-type: none"> <li>• High = 10 mW</li> <li>• Low = 1 mW</li> </ul>
<b>③ High Pass</b>	<p>Turn the high pass filter On or Off</p>
<b>④ Battery</b>	<p>To ensure accurate battery metering, set the battery type to match the installed AA battery type.</p> <p><b>Note:</b> Menu is not selectable when Shure rechargeable batteries are installed.</p>
<b>⑤ Auto Lock</b>	<p>Turn the transmitter auto lock on or off</p>
<b>⑥ Lock Type</b>	<p>Determine auto lock behavior:</p> <ul style="list-style-type: none"> <li>• Menu Only: Locks the menu to prevent transmitter settings from being changed</li> <li>• Menu &amp; Power: Locks the menu and disables the power switch</li> </ul>
<b>⑦ About</b>	<p>Displays the firmware, hardware, and band information</p>

## Locking and Unlocking the Receiver Controls

The following control lock options can be accessed under 5. Advanced Settings > 5.1 Device Lock:

- Unlock: receiver controls are unlocked
- Lock Menu: prevents access to menu items (receiver can still be powered off)
- Lock Menu & Power: disables the power switch as well as menu controls

Select the desired option and press the control knob to confirm.

### Transmitter Auto Lock

The transmitter controls can be locked or unlocked by selecting On (locked) or Off (unlocked) from the transmitter Auto Lock menu. When auto lock is enabled, the transmitter controls lock when you return to the home screen.

**Note:** The enter button can still be used to change the home screen display on a locked transmitter.

**To activate auto lock:**

1. Press the menu button to navigate to the Auto Lock settings.
2. Use the enter button to edit and the menu button to select On.
3. Press enter to save. The lock icon appears on the display to confirm that the control locks are enabled.

**To unlock the transmitter and deactivate auto lock:**

1. Press enter then menu to unlock the transmitter controls.
2. Navigate to the Auto Lock settings and select Off.
3. Press enter to save. The transmitter will no longer lock when you return to the home screen.

---

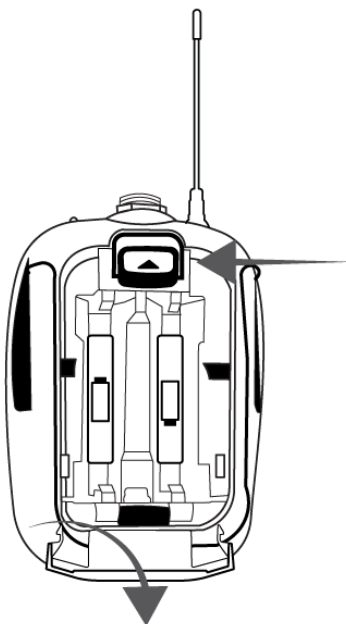
## Batteries and Chargers

### Install Transmitter Batteries

**Important:** To avoid damaging transmitters, only use Shure SB903 Li-ion rechargeable batteries or 1.5V AA batteries.

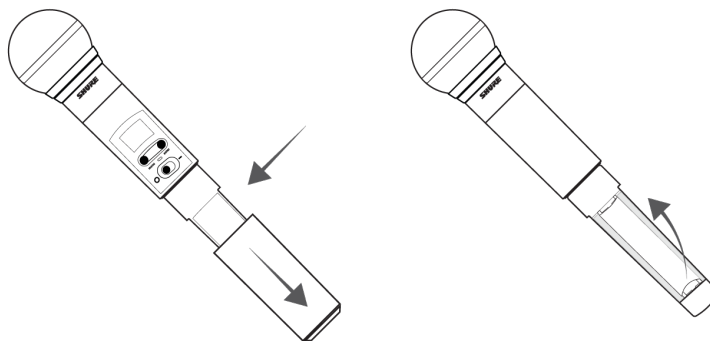
**Bodypack:**

1. Push the tab up and open the battery door to access the battery compartment.
2. Place a Shure SB903 Li-ion rechargeable battery or 2 AA batteries in the compartment.
3. Close the battery door.

**Handheld:**

1. Remove the battery cover to access the battery compartment.
2. Lift the battery door to open the battery compartment.
3. Place a Shure SB903 Li-ion rechargeable battery or 2 AA batteries in the compartment.
4. Replace the battery cover.





## Setting the AA Battery Type

To ensure accurate display of transmitter runtime, set the battery type in the transmitter menu to match the installed AA battery type (the default setting is Alkaline). If a Shure rechargeable battery is installed, selecting a battery type is not necessary and the battery type menu will not be displayed.

1. Press the menu button to navigate to the Battery screen.
2. Press enter, then use the menu button to select the installed battery type:
  - Alkaline = Alkaline
  - NiMH (nickel metal hydride)
  - Lithium (non-rechargeable, 1.5V max)
3. Press enter to save.

## Shure SB903 Rechargeable Battery

The SB903 lithium-ion rechargeable battery powers the SLX-D transmitters. Use the SBC10-903 single bay or SBC203 dual bay chargers to recharge SB903 batteries.

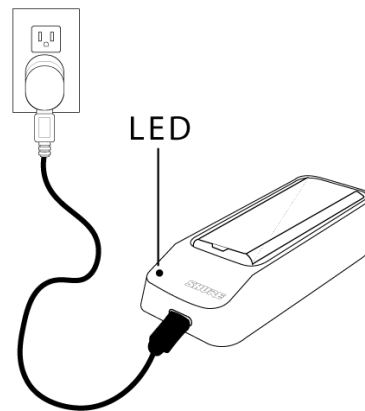
**Important:** Always fully charge a new battery before first use.

To fully charge a new SB903 battery, it must be placed directly in the charger. After the first charge, the battery can be charged by docking the transmitter in the SBC203 dual-bay charging station.

### Single Bay Charger

The SBC10-903 single bay charger offers a compact charging solution.

1. Plug the charger into an AC power source or USB port.
2. Insert a battery into the charging bay.
3. Monitor the charging status LEDs until charging is complete.

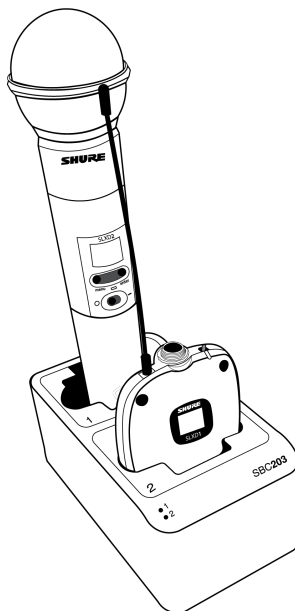


## Charging Status LEDs

Description	Color	State
<b>Ready for Use</b>	Green (solid)	Device is fully charged
<b>Charging</b>	Red (flashing)	Charging
<b>Error</b>	Yellow (quick flashing)	Battery or power supply error
<b>Not charging</b>	Off	Power supply is disconnected, or no device is docked in the charging bay

## Dual Bay Chargers

The SBC203 dual-bay charger can charge individual batteries or batteries installed in transmitters.



1. Plug the charger into an AC power source.
2. Insert batteries or transmitters into the charging bay.

**IMPORTANT:** Insert transmitters facing forward to avoid damage.

3. Monitor the charging status LEDs until charging is complete.

## Charging Status LEDs

Description	Color	State
<b>Ready for Use</b>	Green (solid)	Device is fully charged
<b>Charging</b>	Red (flashing)	Charging
<b>Error</b>	Yellow (quick flashing)	Battery or power supply error*
	<b>Yellow (slow flashing)</b>	Outside of operating temperature range
<b>Not charging</b>	Off	Power supply is disconnected, or no device is docked in the charging bay

\* If an error occurs when a transmitter is docked in the charger, remove the battery from the transmitter and place directly into the charger. If the error persists, contact Shure Technical Support.

## Important Tips for Care and Storage of Shure Rechargeable Batteries

Proper care and storage of Shure batteries results in reliable performance and ensures a long lifetime.

- Always store batteries and transmitters at room temperature
- Ideally, batteries should be charged to approximately 40% of capacity for long-term storage
- During storage, check batteries every 6 months and recharge to 40% of capacity as needed

## Average Charging Times

### SBC10-903

Time Charging	Operating Runtime	Capacity
<b>1 hour</b>	1 hour	15%
<b>3 hours</b>	4 hours	50%
<b>5 hours : 30 minutes</b>	>8 hours	100%

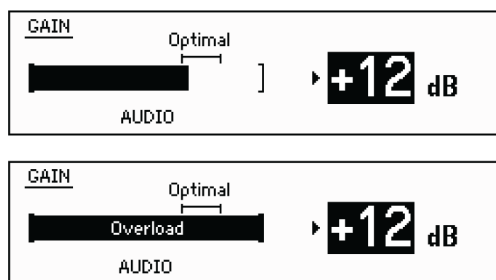
### SBC203

Time Charging	Operating Runtime	Capacity
<b>30 minutes</b>	1 hour	15%
<b>1 hour : 15 minutes</b>	4 hours	50%
<b>2 hours : 30 minutes</b>	>8 hours	100%

\*based on battery with 100% health

# Sound Check and Gain Adjustment

Navigate to the receiver's Gain screen to test the transmitter at performance levels. Adjust the gain to keep the audio indicator within the optimal range. Reduce the gain if there is audible distortion of the audio.



## System Set Up

### Creating Audio Channels

A wireless audio channel is formed when a receiver and transmitter are tuned to the same frequency. The SLX-D system provides 3 methods for tuning the receiver and transmitter to the same frequency:

- **Guided Frequency Setup:** A step-by-step guide to walk you through the process
- **Scan and IR Sync:** The receiver scans the RF spectrum for the best available frequency and an IR sync automatically tunes the transmitter to the receiver frequency
- **Manual Group, Channel, or Frequency Assignment:** Manually set the receiver and transmitter to the same group and channel number, or frequency

### What are Groups and Channels?

To minimize interference, Shure wireless systems organize RF bands into predefined **groups** and **channels**. A group is a set of compatible frequencies within a frequency band. A single frequency within a group is a channel. Tune a receiver and transmitter to the best available channel within its group to set up your system.

**Note:** Because groups are band-dependent, some systems don't have multiple groups. Single-group bands have the same RF performance as those with multiple groups.

All receivers in the same band should be set to the same group. You can set them manually, or use the Guided Frequency Set-up to walk you through the process.

Connect all the receivers in your system using Ethernet cables. For best results, use a network switch when connecting 3 or more receiver units.

**Important!** To avoid interference, before you begin:

**Turn off** all transmitters for the systems you are setting up. This prevents them from interfering with the frequency scan.

**Turn on** the following devices so they are operating as they would be during the presentation or performance. This will allow the scan to detect and avoid any interference from these devices:

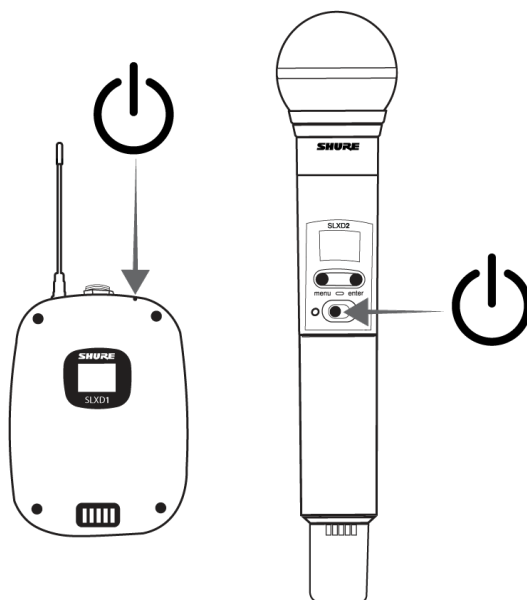
- Configured wireless systems or devices
- Computers
- Large LED panels
- Effects processors

- CD players

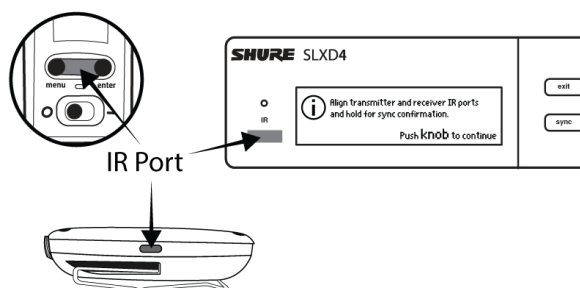
## Using the Guided Frequency Setup

Set up a new system:

1. Push the control knob on the receiver and select 1. Frequency Setup > 1.1 Guided Frequency Setup.
2. Select Initialize My System and push the control knob to continue.
3. Turn off all transmitters you plan to use with your system.
4. Select start scan.
5. After the scan is done, push the control knob to assign frequencies to the receiver.
6. Turn on the transmitter you plan to use with this receiver.

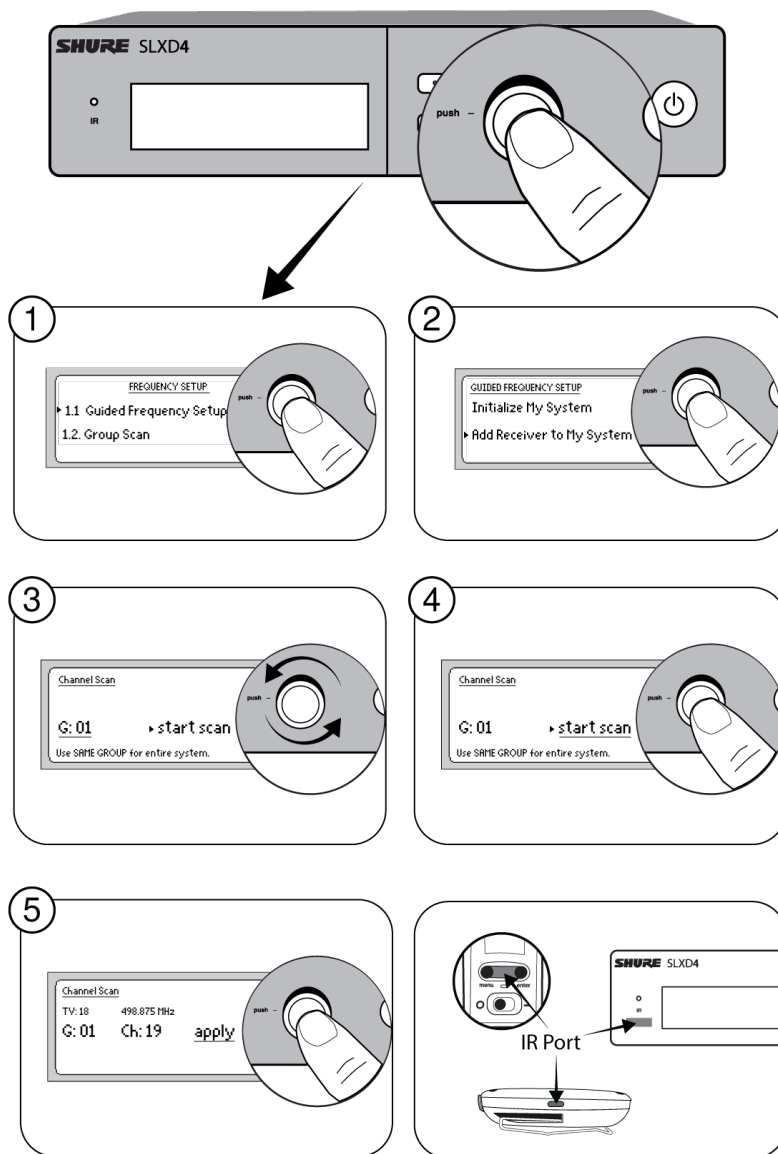


7. Align the infrared (IR) ports on the transmitter and receiver, and push the sync button.



8. Once the sync is complete, the system is ready for use.

Add a new receiver to your system:



1. Push the control knob and select 1. Frequency Setup > 1.1 Guided Frequency Setup.
2. Select Add Receiver to My System.
3. To change the group, rotate the control knob to select G:, push to select, rotate to change the number, push again to confirm.
4. Select start scan.
5. After the scan completes, push the control knob to apply the receiver channel.
6. Turn on the transmitter you plan to use with this receiver.
7. Align the infrared (IR) port on the transmitter with that on the receiver, and push the sync button.
8. Once the sync is complete, the system is ready for use.

## Manual Frequency Selection

To manually adjust group, channel or frequency:

1. Select 1. Frequency Setup > 1.4 Manual Frequency Setup from the receiver menu.
2. Use the control knob to select and adjust the group (G), channel (C), or frequency (MHz).

3. Select apply and push the control knob to save.

## Linking Two Transmitters to a Receiver

Linking two transmitters to a receiver offers the flexibility to provide a performer with either a handheld or bodypack transmitter to meet their preference. For performances requiring instrument changes, two bodypack transmitters can be linked to a single receiver.

**Note:** Only turn on and operate one transmitter at a time to prevent interference between the transmitters.

## Syncing the Transmitters to the Receiver

Both transmitters must be individually linked to the receiver by performing an IR Sync.

1. Turn on the first transmitter and perform an IR Sync with the receiver.
2. Perform a sound check and adjust the transmitter gain if necessary. When finished, turn off the transmitter.
3. Turn on the second transmitter and perform an IR Sync with the receiver.
4. Test the transmitter at performance conditions and adjust the transmitter gain if necessary. When finished, turn off the transmitter.

## Matching Audio Levels with Mic Offset

When linking two transmitters to a receiver, there may be a difference in volume levels between microphones or instruments. If this occurs, use the Mic Offset function to match the audio levels and eliminate audible volume differences between transmitters. If using a single transmitter, set Mic Offset to 0 dB.

1. Turn on the first transmitter and perform a sound check to test the audio level. Turn off the transmitter when finished.
2. Turn on the second transmitter and perform a sound check to test the audio level.
3. If there is an audible difference in the sound level between the transmitters, navigate to the Mic Offset menu on the transmitter to increase or decrease the Mic Offset to match the audio levels.



## Adding SLX-D to Other Shure Wireless Systems

Use Shure's Wireless Workbench frequency coordination tool to find compatible frequencies across different Shure wireless systems. To get started, download the software from <http://www.shure.com/wwb>. For additional assistance, please visit <http://www.shure.com/contact>.

---

## Radio Frequency (RF) Settings

### Setting the Transmitter RF Power

The transmitter offers two RF power settings which determine the transmitter range.

- Low = 1 mW
- High = 10 mW

Use the Low setting when the transmitter and receiver are in close proximity.

1. Navigate to the transmitter RF power menu.
2. Use the menu button to select High or Low.
3. Press enter to save.

---

## Networking

The receiver uses an Ethernet connection to network with other components and includes an internal DHCP client for automatic network configuration when connected to a DHCP enabled router.

### Connecting to a Network

1. Insert an Ethernet cable in the Ethernet port on the rear of the receiver.
2. Connect the cable to a computer or router.
3. The port LEDs on the receiver will illuminate to indicate network connectivity and network traffic.

### Automatic IP Addressing

1. Enable a DHCP service on the server or use a DHCP enabled router.
2. When the receiver is powered on, the DHCP server will automatically assign an IP address to the receiver.

### Configuration Tips

- Use shielded Cat 5 or better Ethernet cables to ensure reliable network performance
- The LEDs on the Ethernet port illuminate indicating a network connection is active
- The network icon illuminates when the receiver detects additional Shure devices on the network
- All components must operate on the same subnet
- Use multiple Ethernet switches to extend the network for larger installations

### Network Troubleshooting

- Use only one DHCP server per network
- All devices must share the same subnet mask
- All receivers must have the same level of firmware version installed
- Check the LED status of the network icon on the front panel of each device.
  - If the network icon is not illuminated, check the cable connection and the LEDs on the Ethernet port.
  - If the Ethernet port LEDs are not illuminated and the cable is plugged in, replace the cable and recheck the LEDs and network icon.

### Connecting to an External Control System

The SLX-D receiver is compatible with external control systems such as AMX or Crestron via Ethernet. Use only one controller per system to avoid messaging conflicts.

- Connection: Ethernet (TCP/IP; SLX-D receiver is the client)
- Port: 2202

For a comprehensive list of SLX-D command strings, visit <https://pubs.shure.com/command-strings/SLXD/en-US>.



# Firmware Updates

Firmware is embedded software in each component that controls functionality. Periodically, new versions of firmware are developed to incorporate additional features and enhancements. To take advantage of design improvements, new versions of the firmware can be uploaded and installed directly through Designer.

## Important:

- Designer checks for new firmware updates every time you open it as long as there is an internet connection.
  - You can turn on automatic downloads at Main menu > Settings. Devices are not automatically updated, the firmware files are only automatically downloaded to your Designer PC.
1. Designer alerts you to available updates for Designer-supported devices at the bottom tool bar in the application.
  2. Navigate to Online devices to download new firmware files and to update firmware. You can update devices that are on the same subnet and cross-subnet.

**Note:** You cannot update IntelliMix™ Room from Designer 4.2.

## Shure Update Utility

For those devices unsupported by Designer, use the Shure Update Utility (SUU) to update the firmware. Download the SUU from [https://www.shure.com/en-US/products/software/shure\\_update\\_utility](https://www.shure.com/en-US/products/software/shure_update_utility).

Perform the following steps to update the firmware:

**CAUTION!** Ensure the device has a stable network connection during the update. Do not turn off the device until the update is complete.

1. Connect the device and computer to the same network (set to the same subnet).
2. Open the SUU application.
3. Click the Updates button at the top of the window to open the Download Manager.

**Note:** This button will be labeled either "Check for updates..." or "[#] updates available"

4. From the Download Manager, select the desired firmware versions.

**Tip:** The dropdown in the upper right allows you to quickly Select: All or Select: None.

**Note:** After updating, you may need to clear your browser's cache to display updates to the device's web application.

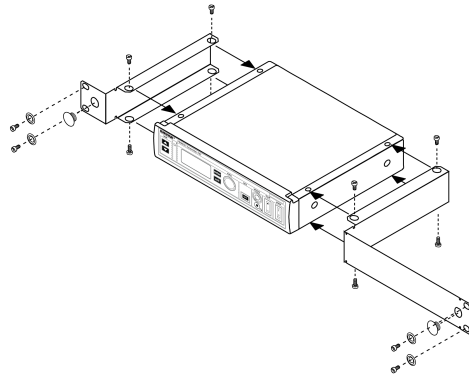
5. Click Download, and then Close the Download Manager. Downloaded firmware is listed and can be viewed and managed in the Firmware tab.
6. From the Update Devices tab, select the new firmware and press Send Updates to begin the firmware update, which overwrites the existing firmware on the device.

## Firmware Release Requirements

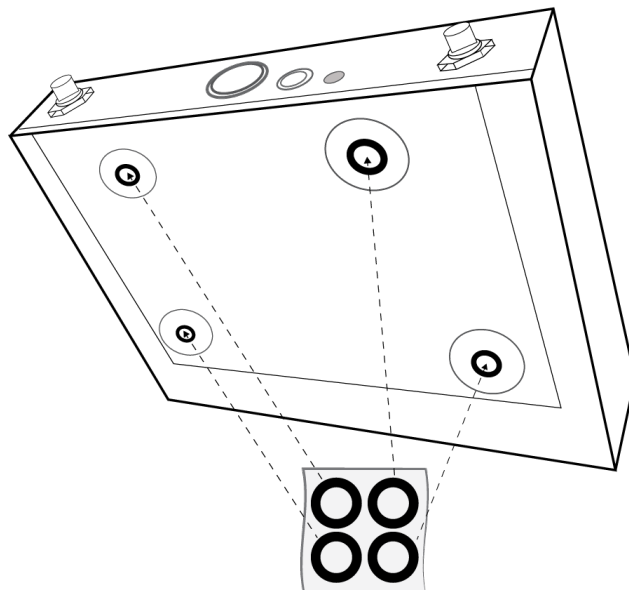
The recommended best practice is that all devices are on the most current release of their respective firmware. To view the firmware version of each device on the network, navigate to Online devices.

## Mount the SLX-D Receiver in a Rack

All accessories are supplied:



## Installing Footpads



# Accessories

## Optional Accessories

### Batteries and Chargers

<b>Shure Lithium-Ion Rechargeable Battery</b>	SB903
<b>Dual Docking Charger</b>	SBC203-AR
	<b>SBC203-AZ</b>
	<b>SBC203-BR</b>
	<b>SBC203-CN</b>
	<b>SBC203-E</b>
	<b>SBC203-IN</b>
	<b>SBC203-J</b>
	<b>SBC203-K</b>
	<b>SBC203-TW</b>
	<b>SBC203-UK</b>
	<b>SBC203-US</b>
<b>Single Battery Charger</b>	SBC10-903-AR
	<b>SBC10-903-AZ</b>
	<b>SBC10-903-BR</b>
	<b>SBC10-903-CN</b>
	<b>SBC10-903-E</b>
	<b>SBC10-903-IN</b>
	<b>SBC10-903-J</b>
	<b>SBC10-903-K</b>
	<b>SBC10-903-TW</b>
	<b>SBC10-903-UK</b>
<b>SBC10-903-US</b>	

## UHF Antenna Power Distribution Amplifiers

<b>Antenna/Power Distribution System 470-960 MHz</b>	UA844+SWB
	<b>UA844+SWB-AR</b>
	<b>UA844+SWB-AZ</b>
	<b>UA844+SWB-BR</b>
	<b>UA844+SWB-C</b>
	<b>UA844+SWB-E</b>
	<b>UA844+SWB-J</b>
	<b>UA844+SWB-K</b>
	<b>UA844+SWB-TW</b>
	<b>UA844+SWB-UK</b>
	<b>UA844+SWB-IN</b>
<b>Antenna/Power Distribution System, Less cable 470-960 MHz</b>	UA844+SWB/LC
	<b>UA844+SWB/LC-AR</b>
	<b>UA844+SWB/LC-BR</b>
	<b>UA844+SWB/LC-C</b>
	<b>UA844+SWB/LC-E</b>
	<b>UA844+SWB/LC-UK</b>
<b>Ultra Wideband Antenna/Power Distribution System 174-1805 MHz</b>	UA845UWB
	<b>UA845UWB-AR</b>
	<b>UA845UWB-AZ</b>
	<b>UA845UWB-BR</b>
	<b>UA845UWB-C</b>
	<b>UA845UWB-E</b>
	<b>UA845UWB-IN</b>
	<b>UA845UWB-J</b>
	<b>UA845UWB-K</b>
	<b>UA845UWB-TW</b>
	<b>UA845UWB-UK</b>

<b>Ultra Wideband Antenna/Power Distribution System, Less cable 174-1805 MHz</b>	UA845UWB/LC
	<b>UA845UWB/LC-AR</b>
	<b>UA845UWB/LC-BR</b>
	<b>UA845UWB/LC-E</b>
	<b>UA845UWB/LC-UK</b>

## UABIAST

<b>In-Line Power Supply</b>	UABIAST-US
	<b>UABIAST-UK</b>
	<b>UABIAST-BR</b>
	<b>UABIAST-AR</b>
	<b>UABIAST-E</b>
	<b>UABIAST-CHN</b>
	<b>UABIAST-IN</b>
	<b>UABIAST-K</b>
	<b>UABIAST-J</b>
	<b>UABIAST-AZ</b>
<b>UABIAST-TW</b>	

## In-Line Amplifiers and Antennas

<b>In-Line Antenna Amplifier, 470-900 MHz</b>	UA834WB
<b>In-Line Antenna Amplifier, 902-960 MHz</b>	UA834XA
<b>Active Directional Antenna 470-790 MHz</b>	UA874E
<b>Active Directional Antenna 470-698 MHz</b>	UA874US
<b>Active Directional Antenna 470-900 MHz</b>	UA874WB
<b>Active Directional Antenna 925-952 MHz</b>	UA874X
<b>Directional Wideband Antenna for PSM Systems 470-952 MHz</b>	PA805SWB
<b>Directional Wideband Antenna for PSM Systems 650-1100 MHz</b>	PA805X
<b>Passive Omnidirectional Antenna 470-1100 MHz</b>	UA860SWB

<b>UHF Passive Antenna Splitter</b>	UA221
<b>Front Mount Antenna Kit (Includes 2 Cables And 2 Bulk-head)</b>	UA600
<b>Remote Antenna Bracket With BNC Bulkhead Adaptor</b>	UA505
<b>Helical Antenna, 470-900MHZ</b>	HA-8089

## Cables and Connectors

<b>Coaxial Cable, BNC-BNC, RG58C/U TYPE, 50 OHM, 2 FT Length (0.6 M)</b>	UA802
<b>Coaxial Cable, BNC-BNC, RG58C/U TYPE, 50 OHM, 6 FT Length (2 M)</b>	UA806
<b>Coaxial Cable, BNC-BNC, RG8X/U TYPE, 50 OHM, 25 FT Length (7.5 M)</b>	UA825
<b>Coaxial Cable, BNC-BNC, RG8X/U TYPE, 50 OHM, 50 FT Length (15 M)</b>	UA850
<b>Coaxial Cable, BNC-BNC, RG213/U TYPE, 50 OHM, 100 FT Length (30 M)</b>	UA8100
<b>Ethernet Jumper Cable, 8"</b>	C8006
<b>Ethernet Cable, 3 FT.</b>	C803
<b>Ethernet Cable, 10 FT.</b>	C810
<b>Ethernet Cable, Ruggedized, 25 FT.</b>	C825
<b>Ethernet Cable, Ruggedized, 50 FT.</b>	C850
<b>Ethernet Cable, Ruggedized, 100 FT.</b>	C8100

## 1/2 Wave Omnidirectional Receiver Antennas

<b>470-542 MHz</b>	UA8-470-542
<b>500-560 MHz</b>	UA8-500-560
<b>518-598 MHz</b>	UA8-518-598
<b>554-638 MHz</b>	UA8-554-638
<b>596-698 MHz</b>	UA8-596-698
<b>670-742 MHz</b>	UA8-670-742
<b>690-746 MHz</b>	UA8-690-746
<b>694-758 MHz</b>	UA8-694-758

710-790 MHz	UA8-710-790
740-814 MHz	UA8-740-814
750-822 MHz	UA8-750-822
774-865 MHz	UA8-774-865
00-1000 MHz	UA8-900-1000

## Specifications

### System

#### RF

##### RF Carrier Frequency Range

470–937.5 MHz, varies by region (See Frequency Range and Output Power table)

##### Working Range

100 m (328 ft)

##### RF Tuning Step Size

25 kHz, varies by region

##### Image Rejection

>70 dB, typical

##### RF Sensitivity

–97 dBm at  $10^{-5}$  BER

### Audio

#### Latency

3.2 ms

#### Audio Frequency Response

20 Hz – 20 kHz (+1, -2 dB)

#### Audio Dynamic Range

120 dB at 1% THD, A-weighted, typical

#### Total Harmonic Distortion

<0.02%

#### System Audio Polarity

Positive pressure on microphone diaphragm produces positive voltage on pin 2 (with respect to pin 3 of XLR output) and the tip of the 6.35 mm (with respect to the ring of the 6.35 mm output) output.

**Mic Offset Range**

0 to 21 dB (in 3 dB steps)

**Temperature Range****Operating Temperature Range**

-18°C (0°F) to 50°C (122°F)

**Storage Temperature Range**

-29°C (-20°F) to 74°C (165°F)

**SLXD4 / SLXD4D****Dimensions**

<b>SLXD4</b>	42 x 197 x 152 mm (1.65 x 7.76 x 5.98 in.), H x W x D
<b>SLXD4D</b>	42 x 393 x 152 mm (1.65 x 15.47 x 5.98 in.), H x W x D

**Weight**

<b>SLXD4</b>	816 g, without antennas
<b>SLXD4D</b>	1451 g, without antennas

**Housing**

Galvanized Steel

**Power Requirements**

15 V DC @ 600 mA, supplied by external power supply (tip positive)

**RF Input****Spurious Rejection**

&gt;75 dB, typical

**Connector Type**

BNC

**Impedance**

50 Ω

**Phantom Power Protection**

<b>1/4" (6.35 mm)</b>	Yes
<b>XLR</b>	Yes

**Audio Output****Gain Adjustment Range**

-18 to +42 dB in 1 dB steps



## Configuration

<b>1/4" (6.35 mm)</b>	Balanced (Tip = audio +, Ring = audio -, Sleeve = ground)
<b>XLR</b>	Balanced (1=ground, 2=audio +, 3=audio -)

## Impedance

<b>1/4" (6.35 mm)</b>	1.3 k $\Omega$ (670 $\Omega$ Unbalanced)
<b>XLR (line)</b>	400 $\Omega$ (200 $\Omega$ Unbalanced)
<b>XLR (mic)</b>	150 $\Omega$

## Full Scale Output

<b>1/4" (6.35 mm)</b>	+15 dBV differentially (+9 dBV single)
<b>XLR</b>	LINE setting= +15 dBV, MIC setting= -15 dBV

## Mic/Line Switch

30 dB pad

## Networking

### Network Interface

Single Port Ethernet 10/100 Mbps

### Network Addressing Capability

DHCP or Manual IP address

### Maximum Cable Length

100 m (328 ft)

## SLXD1

### Battery Type

Rechargeable Li-Ion or 1.5 V AA batteries

### Dimensions

98 x 68 x 25.5 mm (3.86 x 2.68 x 1 in.), H x W x D

### Weight

89 g

### Housing

PC/ABS

## Audio Input

### Connector

4-Pin male mini connector (TA4M)

## Configuration

See drawing for details

## Impedance

1 M $\Omega$

## Maximum Input Level

8.2 dBV (2.57 V<sub>rms</sub> , 7.27 V<sub>pp</sub>)

## Preamplifier Equivalent Input Noise (EIN)

-118 dBV

## RF Output

### Antenna Type

1/4 wave

### Occupied Bandwidth

<200 kHz

### Modulation Type

Shure proprietary digital

### Power

1 mW or 10 mW

## SLXD2

### Battery Type

Rechargeable Li-Ion or 1.5 V AA batteries

### Dimensions

37.1 x 176 mm (1.46 x 6.93 in.), D x L

### Weight

147 g

### Housing

Aluminum

## Audio Input

### Configuration

See drawing for details

### Maximum Input Level

8.2 dBV (2.57 V<sub>rms</sub> , 7.27 V<sub>pp</sub>)

## RF Output

### Antenna Type

Integrated Single Band Helical

### Occupied Bandwidth

<200 kHz

### Modulation Type

Shure proprietary digital

### Power

1 mW or 10 mW

## SB903

### Charge Voltage

4.2 V ( $\pm 0.03$  V)

### Charge Current

<b>SBC10-903</b>	220 mA
<b>SBC203</b>	625 mA (normal), 250 mA (reduced)

### Nominal Voltage

3.6 V

### Nominal Capacity

1200 mAh

### Housing

Molded Polycarbonate

### Charging Temperature Range

<b>SBC10-903</b>	10 °C to 45 °C (50 °F to 113 °F)
<b>SBC203</b>	0 °C to 10 °C (32 °F to 50 °F), reduced, and 10 °C to 45 °C (50 °F to 113 °F), normal

### Dimensions

14.5 x 32.5 x 55.5 mm (0.57 x 1.28 x 2.19 in.), H x W x D

### Weight

28 g

---

## SBC10-903

### Battery Charger

#### DC Input Voltage Range

5 V DC

#### Charge Current

*USB-powered*

220 mA

#### Charge Time

50% = 3 hours; 100% = 5 hours : 30 minutes

#### Charge Voltage

4.2 V

#### Operating Temperature Range

10 °C to 45 °C (50 °F to 113 °F)

#### Dimensions

20.5 x 37.5 x 79.5 mm (0.81 x 1.48 x 3.13 in.), H x W x D

#### Weight

39 g

#### Housing

Molded Polycarbonate

### Power Supply

#### Input Voltage Range

100 to 240 V AC

#### Operating Frequency

50 Hz to 60 Hz

#### Maximum Input Power

0.2A

#### Output Voltage

4.75 to 5.25 V DC

#### Maximum Output Power

1.0 A

#### Operating Temperature Range

0 °C to 60 °C (32 °F to 140 °F)

---

## SBC203

### Charge Current

625 mA or 250 mA

### Charge Time

50% = 1 hour : 15 minutes; 100% = 2 hours : 30 minutes

### External Power Supply

SBC10-USB15W or SBC10-USB15WS

### Power Requirements

5 V DC, 3 A max.

### Charging Temperature Range for Battery

0 °C to 45 °C (32 °F to 113 °F)

### Dimensions

66 x 99 x 165 mm (2.6 x 3.9 x 6.5 in.), H x W x D

### Weight

284 g

### Housing

ABS

### Power Supply

#### Input Voltage Range

100 to 240 V AC

#### Operating Frequency

50 Hz to 60 Hz

#### Maximum Input Power

0.6 A

#### Output Voltage

4.75 to 5.25 V DC

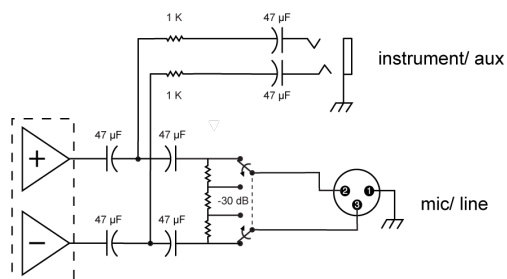
#### Maximum Output Power

3.0 A

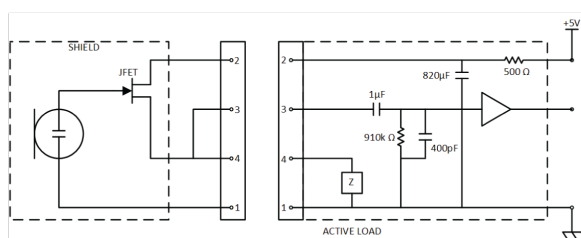
#### Operating Temperature Range

0 °C to 60 °C (32 °F to 140 °F)

## Receiver Output Connectors



## Transmitter Input



①	Ground
②	Bias Voltage
③	Audio Input
④	Active Load

## Frequency Range and Transmitter Output Power

Band	Frequency Range (MHz)	Power ( mW RMS )* (Low/High)
G58	470 to 514	1 / 10
G59	470 to 514	1 / 10
G60	470 to 510	1 / 10
G61	479 to 523	1 / 10
G62	510 to 530	1 / 10
H55	514 to 558	1 / 10
H56	518 to 562	1 / 10
H57	520 to 564	1 / 10

Band	Frequency Range (MHz)	Power ( mW RMS )* (Low/High)
J52	558 to 616	1 / 10
J53	562 to 606	1 / 10
J54	562 to 606	1 / 10
JB	806 to 810	1 / 10
K59	606 to 650	1 / 10
L55	646 to 690	1 / 10
L56	650 to 694	1 / 10
L57	650 to 694	1 / 10
L58	630 to 674	1 / 10
L59	654 to 698	1 / 10
M55	694 to 703, 748 to 758	1 / 10
S50	823 to 865	1 / 10
X51	925 to 937.5	1 / 10

\* Power delivered to the antenna port

**Note:** Frequency bands might not be available for sale or authorized for use in all countries or regions.

## Frequencies for European Countries

	Country Code	Frequency Range
<b>SLXD-G59</b> 470-514 MHz, max. 1/10 mW	A, B, BG, CH, CY, CZ, D, EST	470 - 514 MHz*
	F, GB, GR, H, I, IS, L, LT	470 - 514 MHz*
	NL, P, PL, S, SK, SLO	470 - 514 MHz*
	DK, FIN, M, N	470 - 514 MHz*
	HR, E, IRL, LV, RO, TR	470 - 514 MHz*
<b>SLXD-H56</b>	A, B, BG, CH, CY, CZ, D, EST	518 - 562 MHz*

	Country Code	Frequency Range
518 - 562 MHz, max. 1/10 mW	F, GB, GR, H, I, IS, L, LT	518 - 562 MHz*
	NL, P, PL, S, SK, SLO	518 - 562 MHz*
	DK, FIN, M, N	518 - 562 MHz*
	HR, E, IRL, LV, RO, TR	518 - 562 MHz*
SLXD-J53 562-606 MHz, max. 1/10 mW	A, B, CH, CZ, D, E, EST	562–606 MHz*
	F, GB, GR, H, I, IRL, L	562–606 MHz*
	LT, M, NL, P, PL, SLO	562–606 MHz*
	DK, FIN, N, S	562–606 MHz*
	CY, LV, SK	562–606 MHz*
SLXD-K59 606–650 MHz, max. 1/10 mW	A, B, CH, CZ, D, E, EST	606–650 MHz*
	F, GB, GR, H, I, IRL, L	606–650 MHz*
	LT, M, NL, P, PL, SLO	606–650 MHz*
	DK, FIN, N, S	606–650 MHz*
	CY, LV, SK	606–650 MHz*
SLXD-L56 650 - 694 MHz, max. 1/10 mW	A, BG, CH, CY, CZ, D, EST	650 - 694 MHz*
	F, GB, GR, H, I, IS, L, LT	650 - 694 MHz*
	P, PL, S, SK, SLO	650 - 694 MHz*
	B, DK, FIN, M, N, NL	650 - 694 MHz*
	HR, E, IRL, LV, RO, TR	650 - 694 MHz*
SLXD-S50 823–832 MHz 863-865 MHz max. 1/10 mW	A, BG, CH, CY, CZ, D, EST	823–832 MHz *
	F, GB, GR, H, I, IS, LT	823–832 MHz *
	P, PL, S, SK, SLO	823–832 MHz *
	B, DK, E, FIN, HR, IRL, L	823–832 MHz *
	LV, M, N, NL, RO, TR	823–832 MHz *

\* This equipment may be capable of operating on some frequencies not authorized in your region. See [Licensing Information](#).



# Certifications

## Information to the user

This device complies with part 15 of the FCC Rules. Operation is subject to the following two conditions:

1. This device may not cause harmful interference.
2. This device must accept any interference received, including interference that may cause undesired operation.

**Note:** This equipment has been tested and found to comply with the limits for a Class B digital device, pursuant to part 15 of the FCC Rules. These limits are designed to provide reasonable protection against harmful interference in a residential installation. This equipment generates uses and can radiate radio frequency energy and, if not installed and used in accordance with the instructions, may cause harmful interference to radio communications. However, there is no guarantee that interference will not occur in a particular installation. If this equipment does cause harmful interference to radio or television reception, which can be determined by turning the equipment off and on, the user is encouraged to try to correct the interference by one or more of the following measures:

- Reorient or relocate the receiving antenna.
- Increase the separation between the equipment and the receiver.
- Connect the equipment to an outlet on a circuit different from that to which the receiver is connected.
- Consult the dealer or an experienced radio/TV technician for help.

This device operates on frequencies shared with other devices. Consult the Federal Communications Commission White Space Database Administration website to determine available channels in your area prior to operation.

This device contains licence-exempt transmitter(s)/receiver(s) that comply with Innovation, Science and Economic Development Canada's licence-exempt RSS(s). Operation is subject to the following two conditions:

1. This device may not cause interference.
2. This device must accept any interference, including interference that may cause undesired operation of the device.

L'émetteur/récepteur exempt de licence contenu dans le présent appareil est conforme aux CNR d'Innovation, Sciences et Développement économique Canada applicables aux appareils radio exempts de licence. L'exploitation est autorisée aux deux conditions suivantes :

1. L'appareil ne doit pas produire de brouillage;
2. L'appareil doit accepter tout brouillage radioélectrique subi, même si le brouillage est susceptible d'en compromettre le fonctionnement.

These transmitters have been tested and found to comply with international radiation exposure limits set forth for an uncontrolled environment. This equipment is in direct contact with the body of the user under normal operating conditions. These transmitters must not be co-located or operating in conjunction with any other antenna or transmitter.

Certified under FCC Part 15 and FCC Part 74.

Certified by ISED in Canada under RSS-102 and RSS-210.

CAN ICES-3 (B)/NMB-3 (B)

Approved under the Declaration of Conformity (DoC) provision of FCC Part 15.

**FCC ID:** DD4SLXD1G58, DD4SLXD1H55, DD4SLXD1J52, DD4SLXD2G58, DD4SLXD2H55, DD4SLXD2J52. **IC:** 616A-SLXD1G58, 616A-SLXD1H55, 616A-SLXD1J52, 616A-SLXD2G58, 616A-SLXD2H55, 616A-SLXD2J52 .

Meets essential requirements of the following European Directives:

- WEEE Directive 2012/19/EU, as amended by 2008/34/EC
- RoHS Directive EU 2015/863

**Note:** Please follow your regional recycling scheme for batteries and electronic waste

This product meets the Essential Requirements of all relevant European directives and is eligible for CE marking.

Hereby, Shure Incorporated declares that the radio equipment is in compliance with Directive 2014/53/EU. The full text of the EU declaration of conformity is available at the following internet address: <http://www.shure.com/europe/compliance>

Authorized European representative:

Shure Europe GmbH

Headquarters Europe, Middle East & Africa

Department: EMEA Approval

Jakob-Dieffenbacher-Str. 12

75031 Eppingen, Germany

Phone: +49-7262-92 49 0

Fax: +49-7262-92 49 11 4

Email: EMEAsupport@shure.de

部件名称	有害物质					
	铅	汞	镉	六价铬	多溴联苯	多溴二苯醚
电路模块	X	○	○	○	○	○
金属组件	X	○	○	○	○	○
线缆及其组件	X	○	○	○	○	○
外壳	○	○	○	○	○	○
电源适配器*	X	○	○	○	○	○
电池组*	X	○	○	○	○	○

本表格依据 SJ/T11364 的规定编制。  
 ○: 表示该有害物质在该部件所有均质材料中的含量均在 GB/T26572 规定的限量要求以下。  
 X: 表示该有害物质至少在该部件某一均质材料中的含量超出 GB/T26572 规定的限量要求。  
 注: 本产品大部分的部件采用无害的环保材料制造, 含有有害物质的部件皆因全球技术发展水平的限制而无法实现有害物质的替代。  
 \*表示如果包含部分

部件名称	电池有害物质					
	铅	汞	镉	六价铬	多溴联苯	多溴二苯醚
线路板	○	○	○	○	○	○
线路板上电阻/陶瓷	X	○	○	○	○	○
线路板上电子元件	○	○	○	○	○	○
塑料外壳	○	○	○	○	○	○

本表格依据 SJ/T11364 的规定编制。  
 ○: 表示该有害物质在该部件所有均质材料中的含量均在 GB/T26572 规定的限量要求以下。  
 X: 表示该有害物质至少在该部件某一均质材料中的含量超出 GB/T26572 规定的限量要求。  
 注: 本产品大部分的部件采用无害的环保材料制造, 含有有害物质的部件皆因全球技术发展水平的限制而无法实现有害物质的替代。

部件名称	有害物质					
	铅	汞	镉	六价铬	多溴联苯	多溴二苯醚
电路模块	X	○	○	○	○	○
金属组件	X	○	○	○	○	○
外壳	○	○	○	○	○	○
电源适配器	X	○	○	○	○	○

本表格依据 SJ/T11364 的规定编制。  
 ○: 表示该有害物质在该部件所有均质材料中的含量均在 GB/T26572 规定的限量要求以下。  
 X: 表示该有害物质至少在该部件某一均质材料中的含量超出 GB/T26572 规定的限量要求。  
 注: 本产品大部分的部件采用无害的环保材料制造, 含有有害物质的部件皆因全球技术发展水平的限制而无法实现有害物质的替代。  
 \*表示如果包含部分

設備名稱: 電池充電器, 型號 (型式): SBC10-903 Equipment name Type designation (Type)						
單元 Unit	限用物質及其化學符號 Restricted substances and its chemical symbols					
	鉛Lead (Pb)	汞Mercury (Hg)	鎘Cadmium (Cd)	六價鉻Hexavalent chromium (Cr <sup>6+</sup> )	多溴聯苯Polybrominated biphenyls (PBB)	多溴二苯醚Polybrominated diphenyl ethers (PBDE)
電路板	○	○	○	○	○	○
電子零件	—	○	○	○	○	○
金屬零件	—	○	○	○	○	○
外觀	○	○	○	○	○	○
電源供應器	—	○	○	○	○	○

備考1: "超出0.1 wt %" 及 "超出0.01 wt %" 係指限用物質之百分比含量超出百分比含量基準值。  
 Note 1: "Exceeding 0.1 wt %" and "exceeding 0.01 wt %" indicate that the percentage content of the restricted substance exceeds the reference percentage value of presence condition.  
 備考2: "○" 係指該項限用物質之百分比含量未超出百分比含量基準值。  
 Note 2: "○" indicates that the percentage content of the restricted substance does not exceed the percentage of reference value of presence.  
 備考3: "—" 係指該項限用物質為排除項目。  
 Note 3: The "-" indicates that the restricted substance corresponds to the exemption.

設備名稱：電池充電器，型號（型式）：SBC203 Equipment name Type designation (Type)						
單元Unit	限用物質及其化學符號 Restricted substances and its chemical symbols					
	鉛Lead (Pb)	汞Mercury (Hg)	鎘Cadmium (Cd)	六價鉻 Hexavalent chromium (Cr <sup>VI</sup> )	多溴聯苯 Polybrominat ed biphenyls (PBB)	多溴二苯醚 Polybrominate d diphenyl ethers (PBDE)
外觀	○	○	○	○	○	○
機械組件	○	○	○	○	○	○
電路板	○	○	○	○	○	○
電子零件	—	○	○	○	○	○

備考1: "超出0.1 wt %" 及 "超出0.01 wt %" 係指限用物質之百分比含量超出百分比含量基準值。  
Note 1: "Exceeding 0.1 wt %" and "exceeding 0.01 wt %" indicate that the percentage content of the restricted substance exceeds the reference percentage value of presence condition.

備考2: "○" 係指該項限用物質之百分比含量未超出百分比含量基準值。  
Note 2: "○" indicates that the percentage content of the restricted substance does not exceed the percentage of reference value of presence.

備考3: "—" 係指該項限用物質為排除項目。  
Note 3: The "-" indicates that the restricted substance corresponds to the exemption.