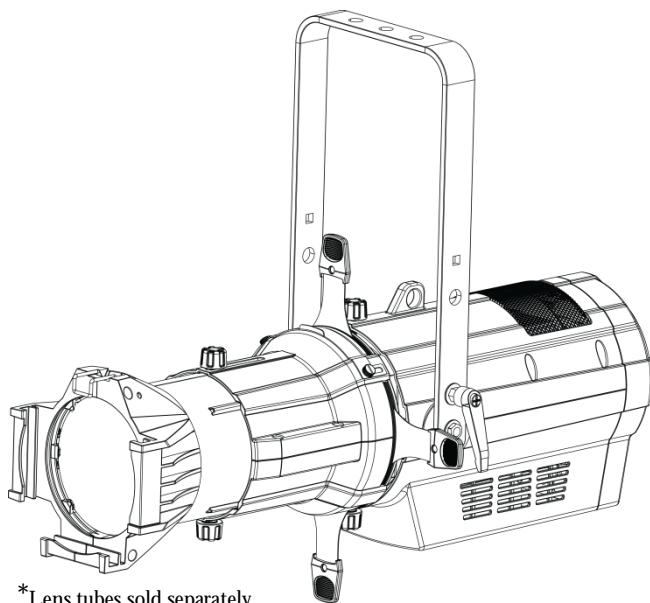


# OVATION

## E-910FC

### Quick Reference Guide

English	EN
Español	ES
Français	FR
Nederlands	NL



\*Lens tubes sold separately



**CHAUVET**  
PROFESSIONAL

**About This Guide** The Ovation E-910FC Quick Reference Guide (QRG) has basic product information such as connection, mounting, menu options, and DMX values. Download the User Manual from [www.chauvetprofessional.com](http://www.chauvetprofessional.com) for more details.

**Disclaimer** The information and specifications contained in this QRG are subject to change without notice.

- Safety Notes**
- DO NOT open this product. It contains no user-serviceable parts.
  - DO NOT look at the light source when the product is on.
  - To eliminate unnecessary wear and improve its lifespan, during periods of non-use completely disconnect the product from power via breaker or by unplugging it.
  - CAUTION: When transferring product from extreme temperature environments, (e.g. cold truck to warm humid ballroom) condensation may form on the internal electronics of the product. To avoid causing a failure, allow product to fully acclimate to the surrounding environment before connecting it to power.
  - CAUTION: This product's housing may be hot when lights are operating.
  - Mount this product in a location with adequate ventilation, at least 20 in (50 cm) from adjacent surfaces.
  - DO NOT leave any flammable material within 50 cm of this product while operating or connected to power.
  - USE a safety cable when mounting this product overhead.
  - DO NOT operate this product outdoors or in any location where dust, excessive heat, water, or humidity may affect it. (IP20)
  - DO NOT operate this product if the housing, lenses, or cables appear damaged.
  - DO NOT connect this product to a dimmer or rheostat.
  - ONLY connect this product to a grounded and protected circuit.
  - ONLY use the hanging/mounting bracket or the handles to carry this product.
  - In the event of a serious operating problem, stop using immediately.
  - The maximum ambient temperature is 113 °F (45 °C). Do not operate this product at higher temperatures.

**Contact** Outside the U.S., United Kingdom, Ireland, Mexico, or Benelux, contact your distributor to request support or return a product. From inside the U.S., UK, Ireland, Mexico, or Benelux, use the information in [Contact Us](#) at the end of this QRG.

**What Is Included**

- Ovation E-910FC
- Neutrik powerCON power cord
- Warranty Card
- Quick Reference Guide

**AC Power** This product has an auto-ranging power supply that can work with an input voltage range of 100–240 VAC, 50/60 Hz.

**Power Linking** You can link up to 6 Ovation E-910FC products at 120 V, 11 products at 208 V, or 12 products at 230 V. Never exceed this number. Power linking cords can be purchased separately.

AC Plug	Connection	Wire (U.S.)	Wire (Europe)	Screw Color
	AC Live	Black	Brown	Yellow/Brass
	AC Neutral	White	Blue	Silver
	AC Ground	Green/Yellow	Green/Yellow	Green



**To eliminate unnecessary wear and improve its lifespan, during periods of non-use completely disconnect the product from power via breaker or by unplugging it.**

### Replacing The Fuse

1. Disconnect this product from power.
2. Using a flat head screwdriver, unscrew the fuse holder cap from the housing.
3. Remove blown fuse and replace with a good fuse of the same type and rating.
4. Screw the fuse holder cap back in place and reconnect power.

### DMX Linking

The Ovation E-910FC will work with a DMX controller using a 3- or 5-pin DMX serial connection. A DMX Primer is available from [www.chauvetprofessional.com](http://www.chauvetprofessional.com).

### DMX Connection

The Ovation E-910FC uses a 3- or 5-pin DMX data connection for its DMX personalities: **5Ch**, **7Ch**, **10Ch**, **12Ch**, **13Ch**, and **15Ch**. See the User Manual for information about connecting and configuring the product for DMX operation.

### Master/Slave Connection

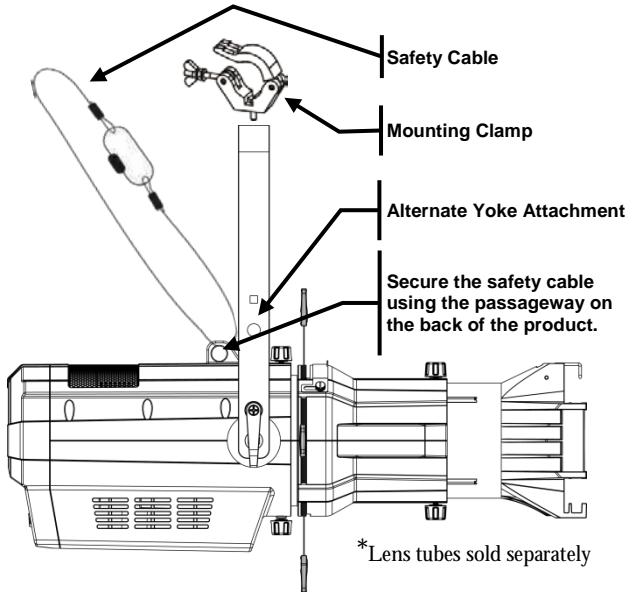
The Ovation E-910FC uses the DMX data connection for its Master/Slave mode. See the User Manual for information about connect and configure the product for master/slave operation.

### RDM (Remote Device Management)

Remote Device Management, or RDM, is a standard for allowing DMX-enabled devices to communicate bi-directionally along existing DMX cabling. The Ovation E-910FC supports RDM protocol that allows feedback to monitor temperature and changes to **DMX Address** and **DMX Channel** menu map options. Download the User Manual from [www.chauvetprofessional.com](http://www.chauvetprofessional.com) for more details.

**Mounting** Before mounting this product, read the [Safety Notes](#). Use at least one mounting point per product. Make sure the mounting clamps are capable of supporting the weight of the product. For our CHAUVET Professional line of mounting clamps, go to <http://trusst.com/products/>.

**Product Mounting Diagram**



**Overhead Mounting**

**Control Panel Description**

Button	Function
<MENU>	Exits from the current menu or function
<ENTER>	Enables the currently displayed menu or sets the currently selected value into the selected function
<UP>	Navigates upwards through the menu list or increases the numeric value when in a function
<DOWN>	Navigates downwards through the menu list or decreases the numeric value when in a function

## Virtual Color Wheel

The Ovation E-910FC includes a new feature called the Virtual Color Wheel (VCW). This feature is available as a stand-alone control mode for manual use and also as a control channel in each of the products DMX personalities. Over thirty pre-mixed colors based on popular gel colors from Rosco are available to call up for easier programming. When manually selecting the colors on the Virtual Color Wheel, the referenced gel number appears on the LED display for convenient selection and ease-of-use.



These formulas were developed to match a 750w Tungsten Ellipsoidal Spot fixture. When developing the above formulas, the master dimmer on the Ovation E-910FC was adjusted to match the gelled output of the Tungsten fixture. Please note that due to the efficacy of the light source, Virtual Color Wheel output may look different from the gelled equivalent on a tungsten source at full intensity. The master dimmer values may need to be adjusted to as low as 25% to match the Tungsten fixture in the most saturate colors..

## Virtual Color Wheel Chart

DMX Channel Value	Display Readout	Red Value	Green Value	Blue Value	Amber Value	Lime Value
000 0 005		000	000	000	000	000
006 0 013	R4590-Cal90 Yellow	233	163	020	123	255
014 0 021	R11-Light Straw	224	158	047	255	231
022 0 028	R312-Canary	180	060	000	245	255
029 0 035	R03-Dark BAmber	245	107	081	255	213
036 0 043	R18-Flame	230	130	062	255	155
044 0 051	R20-Medium Amber	255	000	025	255	194
052 0 059	R21-Golden Amber	255	000	024	255	150
060 0 067	R26-Light Red	255	037	027	030	038
068 0 075	R27-Medium Red	255	004	017	000	000
076 0 083	R33-NoColor Pink	238	135	129	255	255
084 0 091	R337-True Pink	255	131	120	255	195
092 0 099	R38-Light Rose	250	165	123	255	210
100 0 107	R41-Salmon	255	000	041	195	055
108 0 115	R42-Deep Salmon	255	000	045	120	030
116 0 121	R44-Middle Rose	255	050	115	255	115
122 0 130	R349-Fisher Fuchsia	255	035	117	000	000
131 0 138	R54-Special Lavender	127	122	142	251	255
139 0 146	R64-Light Steel Blue	000	255	197	100	255
147 0 154	R364-Blue Bell	158	255	189	000	255
155 0 162	R65-Daylight Blue	000	255	180	000	243
163 0 170	R80-Primary Blue	043	255	210	043	036
171 0 178	R81-Urban Blue	000	255	218	000	181
179 0 186	R82-Surprise Blue	000	210	206	000	118
187 0 194	R382-Congo Blue	065	000	210	040	055
195 0 202	R83-Medium Blue	000	203	230	000	040
203 0 210	R383-Sapphire Blue	040	199	240	000	045
211 0 218	R90-Dk Yellow Green	027	255	028	016	104
219 0 226	R91-Primary Green	049	255	055	120	090
227 0 234	R92-Turquoise	060	230	109	000	245
235 0 242	R93-Blue Green	020	240	126	036	255
243 0 250	R393-Emerald Green	000	255	079	030	053
251 0 255		000	000	000	000	000



Note: The colors above are simulated renditions of the color output produced as compared to other similar incandescent products. Chauvet makes no guarantee of the color output accuracy.

Preset Color Temperature Chart	DMX Channel Value	Display Readout	Red Value	Green Value	Blue Value	Amber Value	Lime Value
	000○ 005			000	000	000	000
006○ 025		<b>2800K</b>	255	199	107	253	255
026○ 050		<b>3200K</b>	253	247	129	255	255
051○ 075		<b>3500K</b>	234	255	141	253	255
076○ 100		<b>4000K</b>	204	255	156	243	255
101○ 125		<b>4500K</b>	181	248	166	224	255
126○ 150		<b>5000K</b>	160	255	180	241	255
151○ 175		<b>5600K</b>	138	255	191	241	255
176○ 200		<b>6000K</b>	147	255	193	203	255
201○ 225		<b>6500K</b>	142	251	197	187	255
226○ 255			000	000	000	000	000



Note: The color temperatures above are simulated renditions of the color output produced as compared to a tungsten lamp at the specified color temperature. Chauvet makes no guarantee of the color output accuracy.

## Menu Map

Main Level	Programming Levels	Description								
DMX Address	<001-512>	Selects DMX address (highest channel restricted to personality chosen)								
DMX Channel	5Ch	5-channel: RGBAL control								
	7Ch	7-channel: RGBAL control, dimmer, strobe								
	10Ch	10-channel: RGBAL control, 16-bit dimmer, strobe, virtual color wheel, color temperature								
	12Ch	12-channel: RGBAL control, dimmer, strobe, virtual color wheel, color temperature, auto programs, auto speed, dimmer mode								
	13Ch	13-channel: 16-bit RGBAL and dimmer, strobe								
	15Ch	15-channel: 16-bit RGBAL and dimmer, strobe, virtual color wheel, color temperature								
Virtual Color Wheel	<table border="1"> <tr><td>R4590-Cal90 Yellow</td></tr> <tr><td>R11-Light Straw</td></tr> <tr><td>R312-Canary</td></tr> <tr><td>R03-Dark BAmber</td></tr> <tr><td>R18-Flame</td></tr> <tr><td>R20-Medium Amber</td></tr> <tr><td>R21-Golden Amber</td></tr> <tr><td>R26-Light Red</td></tr> </table>	R4590-Cal90 Yellow	R11-Light Straw	R312-Canary	R03-Dark BAmber	R18-Flame	R20-Medium Amber	R21-Golden Amber	R26-Light Red	Virtual Color Wheel simulates the output of each gel color from Rosco. Refer to the <a href="#">Virtual Color Wheel Chart</a> section for specific values.
R4590-Cal90 Yellow										
R11-Light Straw										
R312-Canary										
R03-Dark BAmber										
R18-Flame										
R20-Medium Amber										
R21-Golden Amber										
R26-Light Red										

## Menu Map (Cont.)

Main Level	Programming Levels		Description
Virtual Color Wheel Wheel (cont.)	Virtual Color Wheel (cont.)	R27-Medium Red	Virtual Color Wheel simulates the output of each gel color from Rosco. Refer to the <a href="#">Virtual Color Wheel Chart</a> section for specific values.
		R33-NoColor Pink	
		R337-True Pink	
		R38-Light Rose	
		R41-Salmon	
		R42-Deep Salmon	
		R44-Middle Rose	
		R349-Fisher Fuchsia	
		R54-Special Lavender	
		R64-Light Steel Blue	
		R364-Blue Bell	
		R65-Daylight Blue	
		R80-Primary Blue	
		R81-Urban Blue	
		R82-Surprise Blue	
		R382-Congo Blue	
		R83-Medium Blue	
		R383-Sapphire Blue	
		R90-Dk Yellow Green	
		R91-Primary Green	
R92-Turquoise			
R93-Blue Green			
R393-Emerald Green			
Color Temperature	Color Temperature	2800K	Preset white color temperatures. Emulates a tungsten lamp at the specified color temperature. Refer to the <a href="#">Preset Color Temperature Chart</a> section for specific values.
		3200K	
		3500K	
		4000K	
		4500K	
		5000K	
		5600K	
		6000K	
		6500K	
Manual Color Mixer	Red	<0-255>	Combine red, green, blue, amber, and lime to make a custom color (0-100%)
	Green		
	Blue		
	Amber		
	Lime		

## Menu Map (Cont.)

Main Level	Programming Levels		Description	
Auto Show	Auto 1	<1-100>	Selects automatic programs and auto program speed	
	Auto 2			
	Auto 3			
	Auto 4			
	Auto 5			
Master/Slave	Master		DMX mode (Master)	
	Slave		Slave mode	
Dimmer Mode	Off		No dimmer	
	Dimmer 1-3		Dimming curves <b>Dimmer 1</b> (fast) to <b>Dimmer 3</b> (slow)	
White Balance	OFF		Uses factory default white setting	
	Manual	Red	<125-255>	
		Green		Sets green LED maximum value
		Blue		Sets blue LED maximum value
LED Frequency	600Hz		Selects the PWM output frequency	
	1200Hz			
	2000Hz			
	4000Hz			
	25KHz			
Fan Mode	Auto		Sets the fan to auto mode	
	On		Sets the fan to always on	
Back Light	On		Display backlight always on	
	10S		Turns off display backlight after 10 sec of inactivity	
	20S		Turns off display backlight after 20 sec of inactivity	
	30S		Turns off display backlight after 30 sec of inactivity	
Information	Fixture Hours	<_ _ _ _ H>	Shows total product hours	
	Version	<V _ . _ >	Shows installed software version	
	UID:	-----	Shows product UID	



## DMX Values

15Ch	Channel	Function	Value	Percent/Setting
	1	Dimmer	000ó 255	0–100%
	2	Dimmer Fine	000ó 255	0–100%
	3	Red	000ó 255	0–100%
	4	Red Fine	000ó 255	0–100%
	5	Green	000ó 255	0–100%
	6	Green Fine	000ó 255	0–100%
	7	Blue	000ó 255	0–100%
	8	Blue Fine	000ó 255	0–100%
	9	Amber	000ó 255	0–100%
	10	Amber Fine	000ó 255	0–100%
	11	Lime	000ó 255	0–100%
	12	Lime Fine	000ó 255	0–100%
	13	Strobe	000ó 010 011ó 255	No function Strobe, slow to fast
	14	Virtual Color Wheel	000ó 005 006ó 013 014ó 021 022ó 028 029ó 035 036ó 043 044ó 051 052ó 059 060ó 067 068ó 075 076ó 083 084ó 091 092ó 099 100ó 107 108ó 115 116ó 121 122ó 130 131ó 138 139ó 146 147ó 154 155ó 162 163ó 170 171ó 178 179ó 186 187ó 194 195ó 202 203ó 210 211ó 218 219ó 226 227ó 234 235ó 242 243ó 250 251ó 255	No function CalColor 90 Yellow R11 - Light Straw R312 - Canary R03 - Dark Bastard Amber R18 - Flame R20 - Medium Amber R21 - Golden Amber R26 - Light Red R27 - Medium Red R33 - No Color Pink R337 - True Pink R38 - Light Rose R41 - Salmon R42 - Deep Salmon R44 - Middle Rose R349 - Fisher Fuchsia R54 - Special Lavender R64 - Light Steel Blue R364 - Blue Bell R65 - Daylight Blue R80 - Primary Blue R81 - Urban Blue R82 - Surprise Blue R382 - Congo Blue R83 - Medium Blue R383 - Sapphire Blue R90 - Dark Yellow Green R91 - Primary Green R92 - Turquoise R93 - Blue Green R393 - Emerald Green No function

## DMX Values (Cont.)

15Ch (Cont.)	Channel	Function	Value	Percent/Setting
	15	Color Temperature	000◊ 005	No function
			006◊ 025	2800K
			026◊ 050	3200K
			051◊ 075	3500K
			076◊ 100	4000K
			101◊ 125	4500K
			126◊ 150	5000K
			151◊ 175	5600K
			176◊ 200	6000K
			201◊ 225	6500K
			226◊ 255	No function

13Ch	Channel	Function	Value	Percent/Setting
	1	Dimmer	000◊ 255	0–100%
	2	Dimmer Fine	000◊ 255	0–100%
	3	Red	000◊ 255	0–100%
	4	Red Fine	000◊ 255	0–100%
	5	Green	000◊ 255	0–100%
	6	Green Fine	000◊ 255	0–100%
	7	Blue	000◊ 255	0–100%
	8	Blue Fine	000◊ 255	0–100%
	9	Amber	000◊ 255	0–100%
	10	Amber Fine	000◊ 255	0–100%
	11	Lime	000◊ 255	0–100%
	12	Lime Fine	000◊ 255	0–100%
	13	Strobe	000◊ 010	No function
			011◊ 255	Strobe, slow to fast

12Ch	Channel	Function	Value	Percent/Setting
	1	Dimmer	000◊ 255	0–100%
	2	Red	000◊ 255	0–100%
	3	Green	000◊ 255	0–100%
	4	Blue	000◊ 255	0–100%
	5	Amber	000◊ 255	0–100%
	6	Lime	000◊ 255	0–100%
	7	Strobe	000◊ 010	No function
			011◊ 255	Strobe, slow to fast

## DMX Values (Cont.)

12Ch (Cont.)	Channel	Function	Value	Percent/Setting
8	Virtual Color Wheel	000	005	No function
		006	013	R4590 - CalColor 90 Yellow
		014	021	R11 - Light Straw
		022	028	R312 - Canary
		029	035	R03 - Dark Bastard Amber
		036	043	R18 - Flame
		044	051	R20 - Medium Amber
		052	059	R21 - Golden Amber
		060	067	R26 - Light Red
		068	075	R27 - Medium Red
		076	083	R33 - No Color Pink
		084	091	R337 - True Pink
		092	099	R38 - Light Rose
		100	107	R41 - Salmon
		108	115	R42 - Deep Salmon
		116	121	R44 - Middle Rose
		122	130	R349 - Fisher Fuchsia
		131	138	R54 - Special Lavender
		139	146	R64 - Light Steel Blue
		147	154	R364 - Blue Bell
		155	162	R65 - Daylight Blue
		163	170	R80 - Primary Blue
		171	178	R81 - Urban Blue
		179	186	R82 - Surprise Blue
		187	194	R382 - Congo Blue
		195	202	R83 - Medium Blue
203	210	R383 - Sapphire Blue		
211	218	R90 - Dark Yellow Green		
219	226	R91 - Primary Green		
227	234	R92 - Turquoise		
235	242	R93 - Blue Green		
243	250	R393 - Emerald Green		
251	255	No function		
9	Color Temperature	000	005	No function
		006	025	2800K
		026	050	3200K
		051	075	3500K
		076	100	4000K
		101	125	4500K
		126	150	5000K
		151	175	5600K
		176	200	6000K
		201	225	6500K
		226	255	No function

## DMX Values (Cont.)

12Ch (Cont.)	Channel	Function	Value	Percent/Setting
	10	Auto Programs	000 010 011 060 061 110 111 160 161 210 211 255	No function Auto 1 Auto 2 Auto 3 Auto 4 Auto 5
	11	Auto Speed	000 255	Slow to fast
	12	Dimmer Speed	000 051 052 101 102 152 153 203 204 255	Preset dimmer speed from display menu Dimmer speed mode off Dimmer speed mode 1 (fastest) Dimmer speed mode 2 Dimmer speed mode 3 (slowest)

10Ch	Channel	Function	Value	Percent/Setting
	1	Dimmer	000 255	0-100%
	2	Dimmer Fine	000 255	0-100%
	3	Red	000 255	0-100%
	4	Green	000 255	0-100%
	5	Blue	000 255	0-100%
	6	Amber	000 255	0-100%
	7	Lime	000 255	0-100%
	8	Strobe	000 010 011 255	No function Strobe, slow to fast

## DMX Values (Cont.)

10Ch (Cont.)	Channel	Function	Value	Percent/Setting
9	Virtual Color Wheel	000	005	No function
		006	013	R4590 - CalColor 90 Yellow
		014	021	R11 - Light Straw
		022	028	R312 - Canary
		029	035	R03 - Dark Bastard Amber
		036	043	R18 - Flame
		044	051	R20 - Medium Amber
		052	059	R21 - Golden Amber
		060	067	R26 - Light Red
		068	075	R27 - Medium Red
		076	083	R33 - No Color Pink
		084	091	R337 - True Pink
		092	099	R38 - Light Rose
		100	107	R41 - Salmon
		108	115	R42 - Deep Salmon
		116	121	R44 - Middle Rose
		122	130	R349 - Fisher Fuchsia
		131	138	R54 - Special Lavender
		139	146	R64 - Light Steel Blue
		147	154	R364 - Blue Bell
		155	162	R65 - Daylight Blue
		163	170	R80 - Primary Blue
		171	178	R81 - Urban Blue
		179	186	R82 - Surprise Blue
		187	194	R382 - Congo Blue
		195	202	R83 - Medium Blue
		203	210	R383 - Sapphire Blue
		211	218	R90 - Dark Yellow Green
		219	226	R91 - Primary Green
		227	234	R92 - Turquoise
235	242	R93 - Blue Green		
243	250	R393 - Emerald Green		
251	255	No function		
10	Color Temperature	000	005	No function
		006	025	2800K
		026	050	3200K
		051	075	3500K
		076	100	4000K
		101	125	4500K
		126	150	5000K
		151	175	5600K
		176	200	6000K
		201	225	6500K
		226	255	No function

**DMX Values (Cont.)**

<b>7Ch</b>	<b>Channel</b>	<b>Function</b>	<b>Value</b>	<b>Percent/Setting</b>
	1	Dimmer	000ó 255	0–100%
	2	Red	000ó 255	0–100%
	3	Green	000ó 255	0–100%
	4	Blue	000ó 255	0–100%
	5	Amber	000ó 255	0–100%
	6	Lime	000ó 255	0–100%
	7	Strobe	000ó 010 011ó 255	No function Strobe, slow to fast

<b>5Ch</b>	<b>Channel</b>	<b>Function</b>	<b>Value</b>	<b>Percent/Setting</b>
	1	Red	000ó 255	0–100%
	2	Green	000ó 255	0–100%
	3	Blue	000ó 255	0–100%
	4	Amber	000ó 255	0–100%
	5	Lime	000ó 255	0–100%

## Acerca de Esta Guía

La Guía de Referencia Rápida (GRR) del Ovation E-910FC contiene información básica sobre el producto, como montaje, opciones de menú y valores DMX. Descargue el manual de usuario de [www.chauvetprofessional.com](http://www.chauvetprofessional.com) para información más detallada.

## Exención de Responsabilidad

La información y especificaciones contenidas en esta GRR están sujetas a cambio sin previo aviso.

## Notas de Seguridad

- NO abra este producto. No contiene piezas reparables por el usuario.
- NO mire a la fuente de luz cuando el producto esté encendido.
- Para evitar un desgaste innecesario y alargar su vida útil, desconecte completamente el producto de la alimentación, mediante el interruptor o desenchufándolo, durante los periodos en los que no se use.
- Cuidado: cuando transfiera el producto desde ambientes con temperatura extrema (p. ej., del remolque frío de un camión a una sala de baile con calor y humedad), puede formarse condensación en la electrónica interna del producto. Para evitar que se produzca una avería, deje que el producto se aclimate completamente al ambiente antes de conectar la alimentación.
- ¡CUIDADO! La carcasa de este producto está caliente cuando las luces están en funcionamiento.
- Monte este producto en una ubicación con ventilación adecuada, al menos a 20" (50 cm) de superficies adyacentes.
- NO deje ningún material inflamable a menos de 50 cm de este producto mientras esté funcionando o conectado a la alimentación.
- USE un cable de seguridad cuando monte este producto en lo alto.
- NO ponga en funcionamiento este producto en el exterior o en cualquier ubicación en la que el polvo, calor excesivo, agua o humedad puedan afectarlo.
- NO ponga en funcionamiento este producto si sospecha que la carcasa, lentes o cables están dañados.
- NO conecte este producto a un atenuador o reostato.
- Conecte este producto SOLO a un circuito con toma de tierra y protegido.
- Use SOLAMENTE los soportes de colgar/montar o las asas para mover este producto.
- En caso de un problema grave de funcionamiento, deje de usarlo inmediatamente.
- La máxima temperatura ambiente es de 113 °F (45 °C). No haga funcionar este producto a temperaturas más altas.

## Contacto

Fuera de EE.UU, Reino Unido, Irlanda, México o Benelux, póngase en contacto con su distribuidor para solicitar asistencia o devolver el producto. Visite [www.chauvetprofessional.com](http://www.chauvetprofessional.com) para información de contacto.

## Qué va Incluido

- Ovation E-910FC
- Cable de Alimentación
- Neutrik powerCON
- Tarjeta de Garantía
- Guía de Referencia Rápida

**Corriente Alterna** Este producto tiene una fuente de alimentación con detección automática que puede funcionar con un rango de tensión de entrada de 100–240 VCA, 50/60 Hz.

**Alimentación en Cadena** Puede enlazar hasta 6 productos Ovation E-910FC a 120 V, 11 productos a 208 V o 12 productos a 230 V. Los cables de alimentación en cadena se pueden adquirir por separado.

Enchufe CA	Conexión	Cable (EE.UU)	Cable (Europa)	Color del Tornillo
	CA Cargado	Negro	Marrón	Amarillo/Bronce
	CA Neutro	Blanco	Azul	Plata
	CA Tierra	Verde/Amarillo	Verde/Amarillo	Verde



**Para evitar un desgaste innecesario y alargar su vida útil, desconecte completamente el producto de la alimentación, mediante el interruptor o desenchufándolo, durante los periodos en los que no se use.**

- Sustitución del Fusible**
1. Desconecte el producto de la toma de corriente.
  2. Con un destornillador de estrella N°2 desatornille la tapa del portafusibles.
  3. Quite el fusible fundido del portafusibles y sustitúyalo con otro del mismo tipo y categoría.
  4. Vuelva a atornillar la tapa del portafusibles en su sitio y conecte de nuevo la alimentación.

**Enlace DMX** El Ovation E-910FC funcionará con un controlador DMX usando una conexión serie DMX normal. Hay un Manual DMX disponible en [www.chauvetprofessional.com](http://www.chauvetprofessional.com).

**Conexión DMX** El Ovation E-910FC usa una conexión de datos DMX normal para sus personalidades DMX: **5Ch, 7Ch, 10Ch, 12Ch, 13Ch, y 15Ch**. Vea el Manual de usuario para conectar y configurar para funcionamiento DMX

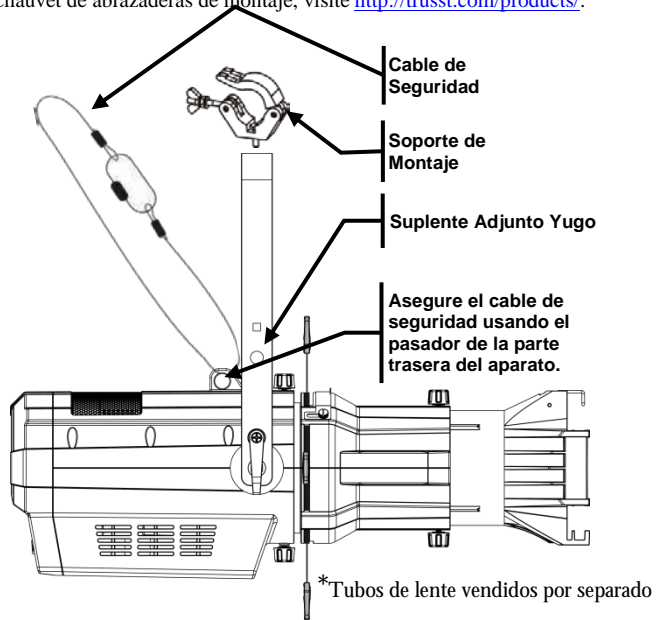
**Conexión Maestro/Esclavo** El Ovation E-910FC usa la conexión de datos DMX para su modo Maestro/Esclavo. Vea el Manual de usuario para conectar y configurar para funcionamiento Maestro/Esclavo.

**RDM (gestión remota del dispositivo)** Remote Device Management (gestión remota del dispositivo) o RDM, es un estándar que permite a los dispositivos con capacidad DMX una comunicación bidireccional por un cableado DMX existente. El Ovation E-910FC admite protocolo RDM, que posibilita información para supervisar la temperature y cambiar las opciones del mapa de menú **DMX Address** y **DMX Channel**. Descargue el manual de usuario de [www.chauvetprofessional.com](http://www.chauvetprofessional.com) para una información más detallada.



**Montaje** Antes de montar este producto, lea las [Notas de seguridad](#). Asegúrese de que las abrazaderas de montaje son capaces de soportar el peso del producto. Para nuestra línea Chauvet de abrazaderas de montaje, visite <http://trusst.com/products/>.

**Diagrama de Montaje del Producto**



### Montaje en Alto

### Descripción del Panel de Control

Botón	Función
<MENU>	Salir del menú o función actual
<ENTER>	Habilita el menú actualmente en pantalla o configura el valor seleccionado actualmente dentro de la función seleccionada
<UP>	Navega hacia arriba por la lista de menú y aumenta el valor numérico cuando está en una función
<DOWN>	Navega hacia abajo por la lista de menú y disminuye el valor numérico cuando está en una función

**Rueda de Color Virtual (VCW)** El Ovation E-910FC cuenta con una nueva característica llamada Rueda de Color Virtual (VCW). Esta característica está disponible como modo de control independiente para uso manual y también como canal de control en cada una de las personalidades DMX del dispositivo. Más una treintena de colores pre-mezclados basados en los colores de gel más populares de Rosco están disponibles para su utilización, facilitando la programación. Cuando seleccione los colores manualmente en la Rueda de Color Virtual, el número de gel correspondiente aparecerá en la pantalla LED para una selección más cómoda y facilidad de uso.



Estas fórmulas se desarrollaron para que coincida con un 750w lámpara de tungsteno elipsoidal Spot. En el desarrollo de las fórmulas anteriores, el maestro regulador en el Ovation E-910FC se ajustó para que coincida con la salida de gelificado de la fijación de tungsteno. Tenga en cuenta que debido a la eficacia de la fuente de luz, la salida de la rueda de color virtual puede tener un aspecto diferente del equivalente gelificado en una fuente de tungsteno en toda su intensidad. El maestro puede ser necesario ajustar hasta un mínimo de 25% los valores de dimmer para que coincida con el accesorio de tungsteno en los saturar los colores la mayoría.

Tabla de Colores	Valor del Canal DMX	Lectura en Pantalla	Valor Rojo	Valor Verde	Valor Azul	Valor Ámbar	Valor Limón
	000 ó 005		000	000	000	000	000
	006 ó 013	R4590-Cal90 Yellow	233	163	020	123	255
	014 ó 021	R11-Light Straw	224	158	047	255	231
	022 ó 028	R312-Canary	180	060	000	245	255
	029 ó 035	R03-Dark BAmber	245	107	081	255	213
	036 ó 043	R18-Flame	230	130	062	255	155
	044 ó 051	R20-Medium Amber	255	000	025	255	194
	052 ó 059	R21-Golden Amber	255	000	024	255	150
	060 ó 067	R26-Light Red	255	037	027	030	038
	068 ó 075	R27-Medium Red	255	004	017	000	000
	076 ó 083	R33-NoColor Pink	238	135	129	255	255
	084 ó 091	R337-True Pink	255	131	120	255	195
	092 ó 099	R38-Light Rose	250	165	123	255	210
	100 ó 107	R41-Salmon	255	000	041	195	055
	108 ó 115	R42-Deep Salmon	255	000	045	120	030
	116 ó 121	R44-Middle Rose	255	050	115	255	115
	122 ó 130	R349-Fisher Fuchsia	255	035	117	000	000
	131 ó 138	R54-Special Lavender	127	122	142	251	255
	139 ó 146	R64-Light Steel Blue	000	255	197	100	255
	147 ó 154	R364-Blue Bell	158	255	189	000	255
	155 ó 162	R65-Daylight Blue	000	255	180	000	243
	163 ó 170	R80-Primary Blue	043	255	210	043	036
	171 ó 178	R81-Urban Blue	000	255	218	000	181
	179 ó 186	R82-Surprise Blue	000	210	206	000	118
	187 ó 194	R382-Congo Blue	065	000	210	040	055
	195 ó 202	R83-Medium Blue	000	203	230	000	040
	203 ó 210	R383-Sapphire Blue	040	199	240	000	045
	211 ó 218	R90-Dk Yellow Green	027	255	028	016	104
	219 ó 226	R91-Primary Green	049	255	055	120	090
	227 ó 234	R92-Turquoise	060	230	109	000	245
	235 ó 242	R93-Blue Green	020	240	126	036	255
	243 ó 250	R393-Emerald Green	000	255	079	030	053
	251 ó 255		000	000	000	000	000



Nota: Los colores listados son interpretaciones simuladas de la emisión de color generada en comparación con otros productos incandescentes similares. Chauvet no garantiza la exactitud del color emitido.

Gráfico de temperaturas de color predefinidas	Valor del Canal DMX	Lectura en Pantalla	Valor Rojo	Valor Verde	Valor Azul	Valor Ámbar	Valor Limón
	000 ó 005		000	000	000	000	000
	006 ó 025	<b>2800K</b>	255	199	107	253	255
	026 ó 050	<b>3200K</b>	253	247	129	255	255
	051 ó 075	<b>3500K</b>	234	255	141	253	255
	076 ó 100	<b>4000K</b>	204	255	156	243	255
	101 ó 125	<b>4500K</b>	181	248	166	224	255
	126 ó 150	<b>5000K</b>	160	255	180	241	255
	151 ó 175	<b>5600K</b>	138	255	191	241	255
	176 ó 200	<b>6000K</b>	147	255	193	203	255
	201 ó 225	<b>6500K</b>	142	251	197	187	255
	226 ó 255		000	000	000	000	000



Nota: Las temperaturas de color que aparecen arriba son interpretaciones simuladas de la emisión de color producida cuando se compara con una lámpara de tungsteno a la temperatura de color especificada. Chauvet no garantiza la exactitud del color emitido.

## Mapa de Menú

Nivel Principal	Niveles de Programación		Descripción
DMX Address	<001–512>		Selecciona la dirección DMX de inicio
DMX Channel	5Ch		5-canales: control RVAAL
	7Ch		7-canales: control RVAAL, atenuador, estroboscopio
	10Ch		10-canales: control RVAAL, atenuador, fino atenuador, estroboscopio, VCW, temperatura de color
	12Ch		12-canales: control RVAAL, atenuador, estroboscopio, VCW, temperatura de color, programas automática, velocidad automática, velocidad atenuador
	13Ch		13-canales: control RVAAL, 16-bit-control RVAAL, atenuador, fino atenuador, estroboscopio
Virtual Color Wheel	15Ch		15-canales: control RVAAL, 16-bit-control RVAAL, atenuador, fino atenuador, estroboscopio, VCW, temperatura de color
	Virtual Color Wheel	R4590-Cal90 Yellow	Rueda de Color Virtual (VCW) simula la emisión de cada gel de color de Rosco. Consulte la sección <a href="#">Tabla de Colores</a> para ver los valores específicos.
		R11-Light Straw	
		R312-Canary	
		R03-Dark BAmber	
		R18-Flame	
		R20-Medium Amber	
R21-Golden Amber			
R26-Light Red			

## Mapa de Menú (Cont.)

Nivel Principal	Niveles de Programación		Descripción	
Virtual Color Wheel (cont.)	Virtual Color Wheel (cont.)		Rueda de Color Virtual (VCW) simula la emisión de cada gel de color de Rosco. Consulte la sección <a href="#">Tabla de Colores</a> para ver los valores específicos.	
				R27-Medium Red
				R33-NoColor Pink
				R337-True Pink
				R38-Light Rose
				R41-Salmon
				R42-Deep Salmon
				R44-Middle Rose
				R349-Fisher Fuchsia
				R54-Special Lavender
				R64-Light Steel Blue
				R364-Blue Bell
				R65-Daylight Blue
				R80-Primary Blue
				R81-Urban Blue
				R82-Surprise Blue
				R382-Congo Blue
				R83-Medium Blue
				R383-Sapphire Blue
				R90-Dk Yellow Green
R91-Primary Green				
R92-Turquoise				
R93-Blue Green				
R393-Emerald Green				
Virtual Color Wheel (cont.)	Color Temperature		Temperaturas de color blanco preconfiguradas Emula una lámpara de tungsteno a la temperatura de color especificada. Consulte el apartado <a href="#">Gráfico de temperaturas de color predefinidas</a> para ver valores concretos.	
				2800K
				3200K
				3500K
				4000K
				4500K
				5000K
				5600K
				6000K
6500K				
Manual Color Mixer	Red	<0-255>	Combina rojo, verde, azul, ámbar y lime para generar un color personalizado (0-100%)	
	Green			
	Blue			
	Amber			
	Lime			

## Mapa de Menú (Cont.)

Nivel Principal	Niveles de Programación		Descripción	
Auto Show	Auto 1	<1-100>	Selecciona programas automáticos y velocidad de programas automáticos	
	Auto 2			
	Auto 3			
	Auto 4			
	Auto 5			
Master/Slave	Master		Recibe señales DMX del controlador DMX	
	Slave		Recibe señales del maestro	
Dimmer Mode	Off		Curvas de atenuador rápido ( <b>Dimmer1</b> ) a lento ( <b>Dimmer3</b> ) o sin atenuador ( <b>Off</b> )	
	Dimmer 1-3			
White Balance	OFF		Utiliza la configuración de blanco predeterminada de fábrica	
	Manual	Red	<125-255>	
		Green		Establece el valor máximo de LED verde
		Blue		Establece el valor máximo de LED azul
LED Frequency	600Hz		Selecciona la frecuencia de emisión PWM	
	1200Hz			
	2000Hz			
	4000Hz			
	25KHz			
Fan Mode	Auto		Equilibra la refrigeración del LED usando los ventiladores y el nivel de potencia	
	On		Mantiene la refrigeración del LED usando los ventiladores permitiendo plena potencia	

## Mapa de Menú (Cont.)

Nivel Principal	Niveles de Programación		Descripción
<b>Back Light</b>	<b>On</b>		Retro-iluminación de la pantalla siempre activa
	<b>10S</b>		Retro-iluminación de la pantalla se apaga después de 10 segundos de inactividad
	<b>20S</b>		Retro-iluminación de la pantalla se apaga después de 20 segundos de inactividad
	<b>30S</b>		Retro-iluminación de la pantalla se apaga después de 30 segundos de inactividad
<b>Information</b>	<b>Fixture Hours</b>	<_ _ _ _H>	Muestra el nombre total de las horas del producto
	<b>Version</b>	<V_._>	Muestra instalada la versión de software
	<b>UID:</b>	_ _ _ _ _ _ _ _	Muestra actual UID #

## Valores DMX

15Ch	Canal	Función	Valor	Porcentaje/Configuración
	1	Atenuador	000 ó 255	0–100%
	2	Atenuador fino	000 ó 255	0–100%
	3	Rojo	000 ó 255	0–100%
	4	Rojo nítido	000 ó 255	0–100%
	5	Verde	000 ó 255	0–100%
	6	Verde nítido	000 ó 255	0–100%
	7	Azul	000 ó 255	0–100%
	8	Azul nítido	000 ó 255	0–100%
	9	Ámbar	000 ó 255	0–100%
	10	Ámbar nítido	000 ó 255	0–100%
	11	Limón	000 ó 255	0–100%
	12	Limón nítido	000 ó 255	0–100%
	13	Estroboscopio	000 ó 010 011 ó 255	Sin función Lento a rápido
	14	Rueda de Color Virtual (VCW)	000 ó 005 Sin función 006 ó 013 R4590 - CalColor 90 Yellow 014 ó 021 R11 - Light Straw 022 ó 028 R312 - Canary 029 ó 035 R03 - Dark Bastard Amber 036 ó 043 R18 - Flame 044 ó 051 R20 - Medium Amber 052 ó 059 R21 - Golden Amber 060 ó 067 R26 - Light Red 068 ó 075 R27 - Medium Red 076 ó 083 R33 - No Color Pink 084 ó 091 R337 - True Pink 092 ó 099 R38 - Light Rose 100 ó 107 R41 - Salmon 108 ó 115 R42 - Deep Salmon 116 ó 121 R44 - Middle Rose 122 ó 130 R349 - Fisher Fuchsia 131 ó 138 R54 - Special Lavender 139 ó 146 R64 - Light Steel Blue 147 ó 154 R364 - Blue Bell 155 ó 162 R65 - Daylight Blue 163 ó 170 R80 - Primary Blue 171 ó 178 R81 - Urban Blue 179 ó 186 R82 - Surprise Blue 187 ó 194 R382 - Congo Blue 195 ó 202 R83 - Medium Blue 203 ó 210 R383 - Sapphire Blue 211 ó 218 R90 - Dark Yellow Green 219 ó 226 R91 - Primary Green 227 ó 234 R92 - Turquoise 235 ó 242 R93 - Blue Green 243 ó 250 R393 - Emerald Green 251 ó 255 Sin función	

## Valores DMX (Cont.)

15Ch (Cont.)	Canal	Función	Valor	Porcentaje/Configuración
	15	Temperatura de Color	000 ó 005	Sin función
			006 ó 025	2800K
			026 ó 050	3200K
			051 ó 075	3500K
			076 ó 100	4000K
			101 ó 125	4500K
			126 ó 150	5000K
			151 ó 175	5600K
			176 ó 200	6000K
			201 ó 225	6500K
			226 ó 255	Sin función

13Ch	Canal	Función	Valor	Porcentaje/Configuración
	1	Atenuador	000 ó 255	0–100%
	2	Atenuador fino	000 ó 255	0–100%
	3	Rojo	000 ó 255	0–100%
	4	Rojo nítido	000 ó 255	0–100%
	5	Verde	000 ó 255	0–100%
	6	Verde nítido	000 ó 255	0–100%
	7	Azul	000 ó 255	0–100%
	8	Azul nítido	000 ó 255	0–100%
	9	Ámbar	000 ó 255	0–100%
	10	Ámbar nítido	000 ó 255	0–100%
	11	Limón	000 ó 255	0–100%
	12	Limón nítido	000 ó 255	0–100%
	13	Estroboscopio	000 ó 010 011 ó 255	Sin función Lento a rápido

12Ch	Canal	Función	Valor	Porcentaje/Configuración
	1	Atenuador	000 ó 255	0–100%
	2	Rojo	000 ó 255	0–100%
	3	Verde	000 ó 255	0–100%
	4	Azul	000 ó 255	0–100%
	5	Ámbar	000 ó 255	0–100%
	6	Limón	000 ó 255	0–100%
	7	Estroboscopio	000 ó 010 011 ó 255	Sin función Lento a rápido



## Valores DMX (Cont.)

12Ch (Cont.)	Canal	Función	Valor	Porcentaje/Configuración
8		Rueda de Color Virtual (VCW)	000ó 005	Sin función
			006ó 013	R4590 - CalColor 90 Yellow
			014ó 021	R11 - Light Straw
			022ó 028	R312 - Canary
			029ó 035	R03 - Dark Bastard Amber
			036ó 043	R18 - Flame
			044ó 051	R20 - Medium Amber
			052ó 059	R21 - Golden Amber
			060ó 067	R26 - Light Red
			068ó 075	R27 - Medium Red
			076ó 083	R33 - No Color Pink
			084ó 091	R337 - True Pink
			092ó 099	R38 - Light Rose
			100ó 107	R41 - Salmon
			108ó 115	R42 - Deep Salmon
			116ó 121	R44 - Middle Rose
			122ó 130	R349 - Fisher Fuchsia
			131ó 138	R54 - Special Lavender
			139ó 146	R64 - Light Steel Blue
			147ó 154	R364 - Blue Bell
			155ó 162	R65 - Daylight Blue
			163ó 170	R80 - Primary Blue
			171ó 178	R81 - Urban Blue
			179ó 186	R82 - Surprise Blue
			187ó 194	R382 - Congo Blue
			195ó 202	R83 - Medium Blue
203ó 210	R383 - Sapphire Blue			
211ó 218	R90 - Dark Yellow Green			
219ó 226	R91 - Primary Green			
227ó 234	R92 - Turquoise			
235ó 242	R93 - Blue Green			
243ó 250	R393 - Emerald Green			
251ó 255	Sin función			
9		Temperatura de Color	000ó 005	Sin función
			006ó 025	2800K
			026ó 050	3200K
			051ó 075	3500K
			076ó 100	4000K
			101ó 125	4500K
			126ó 150	5000K
			151ó 175	5600K
			176ó 200	6000K
			201ó 225	6500K
			226ó 255	Sin función

## Valores DMX (Cont.)

12Ch (Cont.)	Canal	Función	Valor	Porcentaje/Configuración
	10	Programas Automática	000 ó 010 011 ó 060 061 ó 110 111 ó 160 161 ó 210 211 ó 255	Sin función Auto 1 Auto 2 Auto 3 Auto 4 Auto 5
	11	Velocidad Automática	000 ó 255	Lento a rápido
	12	Velocidad Atenuador	000 ó 051 052 ó 101 102 ó 152 153 ó 203 204 ó 255	Pre configura la velocidad del atenuador desde la pantalla de menú Atenuador lineal Curva de atenuación no-lineal 1 (la más rápida) Curva de atenuación no-lineal 2 Curva de atenuación no-lineal 3

10Ch	Canal	Función	Valor	Porcentaje/Configuración
	1	Atenuador	000 ó 255	0-100%
	2	Atenuador fino	000 ó 255	0-100%
	3	Rojo	000 ó 255	0-100%
	4	Verde	000 ó 255	0-100%
	5	Azul	000 ó 255	0-100%
	6	Ámbar	000 ó 255	0-100%
	7	Limón	000 ó 255	0-100%
	8	Estroboscopio	000 ó 010 011 ó 255	Sin función Lento a rápido

## Valores DMX (Cont.)

10Ch (Cont.)	Canal	Función	Valor	Porcentaje/Configuración
9		Rueda de Color Virtual (VCW)	000ó 005	Sin función
			006ó 013	R4590 - CalColor 90 Yellow
			014ó 021	R11 - Light Straw
			022ó 028	R312 - Canary
			029ó 035	R03 - Dark Bastard Amber
			036ó 043	R18 - Flame
			044ó 051	R20 - Medium Amber
			052ó 059	R21 - Golden Amber
			060ó 067	R26 - Light Red
			068ó 075	R27 - Medium Red
			076ó 083	R33 - No Color Pink
			084ó 091	R337 - True Pink
			092ó 099	R38 - Light Rose
			100ó 107	R41 - Salmon
			108ó 115	R42 - Deep Salmon
			116ó 121	R44 - Middle Rose
			122ó 130	R349 - Fisher Fuchsia
			131ó 138	R54 - Special Lavender
			139ó 146	R64 - Light Steel Blue
			147ó 154	R364 - Blue Bell
			155ó 162	R65 - Daylight Blue
			163ó 170	R80 - Primary Blue
			171ó 178	R81 - Urban Blue
			179ó 186	R82 - Surprise Blue
			187ó 194	R382 - Congo Blue
			195ó 202	R83 - Medium Blue
203ó 210	R383 - Sapphire Blue			
211ó 218	R90 - Dark Yellow Green			
219ó 226	R91 - Primary Green			
227ó 234	R92 - Turquoise			
235ó 242	R93 - Blue Green			
243ó 250	R393 - Emerald Green			
251ó 255	Sin función			
10		Temperatura de Color	000ó 005	Sin función
			006ó 025	2800K
			026ó 050	3200K
			051ó 075	3500K
			076ó 100	4000K
			101ó 125	4500K
			126ó 150	5000K
			151ó 175	5600K
			176ó 200	6000K
			201ó 225	6500K
			226ó 255	Sin función

**Valores DMX (Cont.)**

<b>7Ch</b>	<b>Canal</b>	<b>Función</b>	<b>Valor</b>	<b>Porcentaje/Configuración</b>
	1	<b>Atenuador</b>	000 ó 255	0–100%
	2	<b>Rojo</b>	000 ó 255	0–100%
	3	<b>Verde</b>	000 ó 255	0–100%
	4	<b>Azul</b>	000 ó 255	0–100%
	5	<b>Ámbar</b>	000 ó 255	0–100%
	6	<b>Limón</b>	000 ó 255	0–100%
	7	<b>Estroboscopio</b>	000 ó 010 011 ó 255	Sin función Lento a rápido

<b>5Ch</b>	<b>Canal</b>	<b>Función</b>	<b>Valor</b>	<b>Porcentaje/Configuración</b>
	1	<b>Rojo</b>	000 ó 255	0–100%
	2	<b>Verde</b>	000 ó 255	0–100%
	3	<b>Azul</b>	000 ó 255	0–100%
	4	<b>Ámbar</b>	000 ó 255	0–100%
	5	<b>Limón</b>	000 ó 255	0–100%

## À Propos de ce Manuel

Le Manuel de Référence (MR) Ovation E-910FC reprend des informations de base sur ce produit notamment en matière de connexions, montage, options de menu et valeurs DMX. Téléchargez le manuel d'utilisation sur [www.chauvetprofessional.com](http://www.chauvetprofessional.com) pour de plus amples informations.

## Clause de Non-Responsabilité

Les informations et caractéristiques contenues dans ce manuel sont sujettes à changement sans préavis.

## Consignes de Sécurité

- N'ouvrez PAS ce produit. Il ne contient aucun composant susceptible d'être réparé par l'utilisateur.
- Ne regardez PAS la source lumineuse lorsque le produit fonctionne.
- Durant les périodes de non-utilisation, pour éviter tout usure inutile et pour prolonger la durée de vie, déconnectez-entièrement l'appareil en le débranchant de l'alimentation électrique ou en coupant le disjoncteur.
- ATTENTION: Lorsque l'appareil est transféré d'un environnement à température extrême à un autre (par exemple d'un camion froid vers une salle de bal chaude et humide), de la condensation peut se former sur les composants électriques internes. Pour éviter de causer des dommages, laissez l'appareil s'acclimater entièrement au milieu environnant avant de le mettre sous tension.
- ATTENTION: le boîtier de ce produit est brûlant lors du fonctionnement.
- Montez toujours ce produit dans un endroit bien ventilé, à au moins, 20 pouces (50 cm) des surfaces adjacentes.
- Ne laissez AUCUNE source inflammable dans un rayon de 50 cm du produit lorsque celui-ci fonctionne.
- Utilisez TOUJOURS un câble de sécurité lorsque vous montez ce produit en hauteur.
- N'utilisez PAS ce produit en extérieur ou tout autre endroit où de la poussière, une chaleur excessive, de l'eau ou de l'humidité pour en affecter le fonctionnement.
- N'utilisez PAS ce produit si le boîtier, les lentilles ou les câbles vous semblent endommagés.
- Ne connectez PAS ce produit ni à un gradateur ni à un rhéostat.
- Connectez UNIQUEMENT ce produit à un circuit protégé et relié à la terre.
- Transportez/Suspendez ce produit UNIQUEMENT au moyen de la poignée ou lyre de suspension dont il est doté.
- En cas de sérieux problèmes de fonctionnement, arrêtez le système immédiatement.
- La température ambiante maximale supportée par ce produit est de 113 °F (45 °C). Ne le faites pas fonctionner à des températures plus élevées.

## Contact

En dehors des États-Unis, du Royaume-Uni et de l'Irlande, du Mexique, ou de Benelux contactez votre fournisseur si vous avez besoin d'assistance ou de retourner votre produit. Consultez le site [www.chauvetprofessional.com](http://www.chauvetprofessional.com) pour trouver nos coordonnées.

## Ce qui est Inclus

- Un Ovation E-910FC
- Une fiche de Garantie
- Un Cordon d'Alimentation Neutrik powerCON
- Un Manuel de Référence

**Alimentation CA** Ce produit est doté d'une alimentation universelle prenant en charge toute tension d'entrée comprise entre 100 et 240 VCA, 50/60 Hz.

**Connexion Électrique** Vous pouvez connecter jusqu'à 6 Ovation E-910FC à 120 V, 11 unités à 208 V ou 12 unités à 230 V. Vous pouvez vous procurer séparément des cordons d'alimentation.

Prise CA	Connexion	Câble (États-Unis)	Câble (Europe)	Couleur de la Vis
	Conducteur CA	Noir	Marron	Jaune/Cuivré
	Neutre CA	Blanc	Bleu	Argenté
	Terre CA	Vert/Jaune	Vert/Jaune	Vert



**Durant les périodes de non-utilisation, pour éviter tout usure inutile et pour prolonger la durée de vie, déconnectez-entièrement l'appareil en le débranchant de l'alimentation électrique ou en coupant le disjoncteur.**

- Remplacement du Fusible**
1. Débranchez l'appareil de la prise.
  2. À l'aide d'un tournevis Philips à tête n° 2, dévissez le couvercle du porte-fusible.
  3. Remplacez le fusible obsolète par un fusible neuf équivalent
  4. Revissez le couvercle du porte-fusible et rebranchez l'unité.

**Raccordement DMX** Le Ovation E-910FC fonctionnera avec un jeu d'orgues DMX au moyen de connexions DMX en série standard. Une introduction au DMX est à votre disposition sur [www.chauvetprofessional.com](http://www.chauvetprofessional.com).

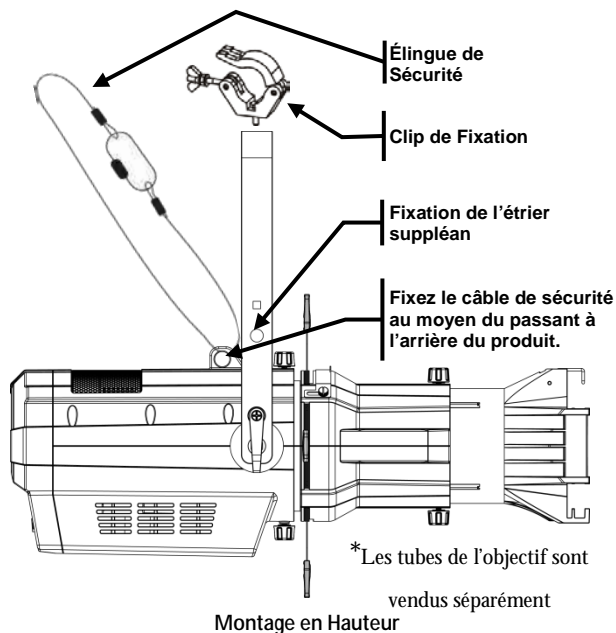
**Connexion DMX** Le Ovation E-910FC utilise une connexion de données DMX standard pour ses personnalités DMX: **5Ch, 7Ch, 10Ch, 12Ch, 13Ch, et 15Ch**. Consultez le manuel d'utilisation pour connecter et configurer le système DMX.

**Connexion Maître/Esclave** Le Ovation E-910FC utilise une connexion de données DMX pour son mode Maître/Esclave. Consultez le Manuel d'Utilisation pour connecter et configurer le mode de fonctionnement Maître/Esclave.

**RDM (Gestion des périphériques à distance)** Le protocole RDM (gestion des périphériques à distance) est un standard pour la communication bidirectionnelle des appareils dotés de fonctions DMX dans un câblage DMX existant. Le Ovation E-910FC supporte le protocole RDM permettant un retour d'information pour la surveillance de la température et des changements des options de menu **DMX Address** et **DMX Channel**. Veuillez télécharger le manuel de l'utilisateur à partir du site internet [www.chauvetprofessional.com](http://www.chauvetprofessional.com) pour plus de détails.

**Installation** Avant de monter cet appareil, lisez et assimilez les [Consignes de Sécurité](#). Veuillez à ce que les fixations sont capables de supporter le poids de l'unité. Découvrez notre gamme de fixations Chauvet sur <http://trusst.com/products/>.

**Schéma de  
Montage  
de l'appareil**



**Description du  
Tableau de  
Commandes**

Bouton	Fonction
<MENU>	Permet la sortie du menu ou de la fonction en cours
<ENTER>	Permet l'affichage du menu en cours ou permet de configurer la valeur en cours dans la fonction sélectionnée
<UP>	Permet de parcourir les listes de menu vers le haut, dans une fonction permet d'augmenter les valeurs numériques.
<DOWN>	Permet de parcourir les listes de menu vers le bas, dans une fonction permet de diminuer les valeurs numériques.

## Roue de Couleurs Virtuelles (VCW)

L'Ovation E-910FC comprend une toute nouvelle fonctionnalité appelée la Roue de Couleurs Virtuelles (VCW). Elle est disponible en mode de commande autonome en usage manuel et également en canal de commande dans chacune des personnalités DMX de l'unité. Plus de 30 couleurs pré-mélangées, sur base des gélamines de couleur de Rosco les plus populaires, sont prêtes à être appelées afin de vous faciliter la programmation. Sur la roue de couleurs virtuelles, en sélection manuelle des couleurs, le numéro de la gélatine répertoriée s'affichera sur l'écran LED, pour une sélection et une utilisation des plus faciles.



Ces formules ont été développées pour correspondre à un luminaire 750w Tungsten Ellipsoïdale Spot. Lors de l'élaboration des formules ci-dessus, le maître gradateur sur le Ovation E-910FC a été ajustée pour correspondre à la sortie de l'appareil gélifié tungstène. S'il vous plaît noter qu'en raison de l'efficacité de la source de lumière, la sortie de la roue de couleur virtuel peut être différent de l'équivalent gélifiée sur une source de tungstène à pleine intensité. Le maître des valeurs de gradation peut avoir besoin d'être ajusté pour aussi peu que 25% pour correspondre à l'appareil de tungstène dans la plupart des saturer les couleurs.

## Gamme de Couleurs

Valeurs des Canaux DMX	Affichage à l'Écran	Valeur Rouge	Valeur Vert	Valeur Bleu	Valeur Ambre	Valeur Lime
000 005		000	000	000	000	000
006 013	R4590-Cal90 Yellow	233	163	020	123	255
014 021	R11-Light Straw	224	158	047	255	231
022 028	R312-Canary	180	060	000	245	255
029 035	R03-Dark BAmber	245	107	081	255	213
036 043	R18-Flame	230	130	062	255	155
044 051	R20-Medium Amber	255	000	025	255	194
052 059	R21-Golden Amber	255	000	024	255	150
060 067	R26-Light Red	255	037	027	030	038
068 075	R27-Medium Red	255	004	017	000	000
076 083	R33-NoColor Pink	238	135	129	255	255
084 091	R337-True Pink	255	131	120	255	195
092 099	R38-Light Rose	250	165	123	255	210
100 107	R41-Salmon	255	000	041	195	055
108 115	R42-Deep Salmon	255	000	045	120	030
116 121	R44-Middle Rose	255	050	115	255	115
122 130	R349-Fisher Fuchsia	255	035	117	000	000
131 138	R54-Special Lavender	127	122	142	251	255
139 146	R64-Light Steel Blue	000	255	197	100	255
147 154	R364-Blue Bell	158	255	189	000	255
155 162	R65-Daylight Blue	000	255	180	000	243
163 170	R80-Primary Blue	043	255	210	043	036
171 178	R81-Urban Blue	000	255	218	000	181
179 186	R82-Surprise Blue	000	210	206	000	118
187 194	R382-Congo Blue	065	000	210	040	055
195 202	R83-Medium Blue	000	203	230	000	040
203 210	R383-Sapphire Blue	040	199	240	000	045
211 218	R90-Dk Yellow Green	027	255	028	016	104
219 226	R91-Primary Green	049	255	055	120	090
227 234	R92-Turquoise	060	230	109	000	245
235 242	R93-Blue Green	020	240	126	036	255
243 250	R393-Emerald Green	000	255	079	030	053
251 255		000	000	000	000	000



Remarque : Les couleurs ci-dessus sont des rendus simulés de couleurs produits sur base des couleurs émises par les appareils à incandescence. Chauvet ne peut garantir l'exactitude du rendu d'une couleur.



Graphique des températures de couleur prédéfinies	Valeurs des Canaux DMX	Affichage à l'Écran	Valeur Rouge	Valeur Vert	Valeur Bleu	Valeur Ambre	Valeur Lime
	000◊ 005		000	000	000	000	000
	006◊ 025	<b>2800K</b>	255	199	107	253	255
	026◊ 050	<b>3200K</b>	253	247	129	255	255
	051◊ 075	<b>3500K</b>	234	255	141	253	255
	076◊ 100	<b>4000K</b>	204	255	156	243	255
	101◊ 125	<b>4500K</b>	181	248	166	224	255
	126◊ 150	<b>5000K</b>	160	255	180	241	255
	151◊ 175	<b>5600K</b>	138	255	191	241	255
	176◊ 200	<b>6000K</b>	147	255	193	203	255
	201◊ 225	<b>6500K</b>	142	251	197	187	255
	226◊ 255		000	000	000	000	000



Remarque : Les températures de couleur ci-dessus sont des rendus simulés de la sortie de couleur effectivement générée par comparaison avec une lampe tungstène à la température de couleur spécifiée. Chauvet ne donne aucune garantie sur la précision de la sortie de couleur.

## Tableau de Menu

Niveau Principal	Niveaux de Programmation		Description
DMX Address	<001–512>		Sélectionne l'adresse DMX de départ
DMX Channel	5Ch		5- canaux: RVBAL control
	7Ch		7- canaux: RVBAL control, gradateur, stroboscope
	10Ch		10- canaux: RVBAL control, gradateur, gradateur fin, stroboscope, VCW, and Température de la Couleur
	12Ch		12- canaux: RVBAL, gradateur, stroboscope, macro de couleurs, effet d'anneau, vitesse gradateur, vitesse auto, VCW
	13Ch		13- canaux: 16-bit RVBAL control, gradateur, gradateur fin, stroboscope
	15Ch		15- canaux: RVBAL control, gradateur, gradateur fin, stroboscope, VCW, and température de la couleur
Virtual Color Wheel	Virtual Color Wheel	R4590-Cal90 Yellow R11-Light Straw R312-Canary R03-Dark BAmber R18-Flame R20-Medium Amber R21-Golden Amber R26-Light Red	Roue de Couleurs Virtuelles (VCW) simule le rendu des gélamines de couleur de Rosco. Consultez la section <a href="#">Gamme de Couleurs</a> pour en connaître les valeurs spécifiques.

## Tableau de Menu (Suite)

Niveau Principal	Niveaux de Programmation		Description	
Virtual Color Wheel (Suite)	Virtual Color Wheel (Suite)		Roue de Couleurs Virtuelles (VCW) simule le rendu des gélamines de couleur de Rosco. Consultez la section <a href="#">Gamme de Couleurs</a> pour en connaître les valeurs spécifiques.	
				R27-Medium Red
				R33-NoColor Pink
				R337-True Pink
				R38-Light Rose
				R41-Salmon
				R42-Deep Salmon
				R44-Middle Rose
				R349-Fisher Fuchsia
				R54-Special Lavender
				R64-Light Steel Blue
				R364-Blue Bell
				R65-Daylight Blue
				R80-Primary Blue
				R81-Urban Blue
				R82-Surprise Blue
				R382-Congo Blue
				R83-Medium Blue
				R383-Sapphire Blue
				R90-Dk Yellow Green
R91-Primary Green				
R92-Turquoise				
R93-Blue Green				
R393-Emerald Green				
Color Temperature	Color Temperature		Températures de couleur de blanc prédéfinies. Simule une lampe tungstène à la température de couleur spécifiée. Référez vous à la section <a href="#">Graphique des températures de couleur prédéfinies</a> pour les valeurs spécifiques.	
				2800K
				3200K
				3500K
				4000K
				4500K
				5000K
				5600K
				6000K
6500K				
Manual Color Mixer	Red	<0-255>	Combine les couleurs rouge, vert, bleu, ambre et lime pour un résultat personnalisé (0-100%)	
	Green			
	Blue			
	Amber			
	Lime			

## Tableau de Menu (Suite)

Niveau Principal	Niveaux de Programmation		Description	
Auto Show	Auto 1	<1-100>	Sélectionne les programmes automatiques et vitesse auto	
	Auto 2			
	Auto 3			
	Auto 4			
	Auto 5			
Master/Slave	Master		Reçoit les signaux DMX du contrôleur DMX	
	Slave		Reçoit les signaux DMX du maître	
Dimmer Mode	Off		Courbes de gradation rapide ( <b>Dimmer1</b> ) à lent ( <b>Dimmer3</b> ) ou pas de gradateur ( <b>Off</b> )	
	Dimmer 1-3			
White Balance	OFF		Utilise le paramétrage de blanc défini en usine	
	Manual	Red	<125-255>	
		Green		Définit la valeur maximale de LED verte
		Blue		Définit la valeur maximale de LED bleue
LED Frequency	600Hz		Permet de sélectionner la fréquence de sortie MLI,	
	1200Hz			
	2000Hz			
	4000Hz			
	25KHz			
Fan Mode	Auto		Équilibre le refroidissement des LED entre le niveau de puissance de rendu et l'utilisation des ventilateurs	
	On		Maintient le refroidissement des LED en utilisant les ventilateurs, permettant ainsi un niveau de puissance de rendu maximal	

## Tableau de Menu (Suite)

Niveau Principal	Niveaux de Programmation		Description
Back Light	On		Affichage rétro-éclairage toujours active
	10S		Désactive l'affichage rétro-éclairage après 10 secondes d'inactivité
	20S		Désactive l'affichage rétro-éclairage après 20 secondes d'inactivité
	30S		Désactive l'affichage rétro-éclairage après 30 secondes d'inactivité
Information	Fixture Hours	<_ _ _ _ H>	Affiche le nombre total des heures du produit
	Version	<V_._>	Affiche la version du logiciel installée.
	UID:	_ _ _ _ _	Affiche UID actuel #

## Valeurs DMX

15Ch	Canal	Fonction	Valeur	Pourcentage/Configuration
	1	Gradateur	000ó 255	0–100%
	2	Gradateur Fin	000ó 255	0–100%
	3	Rouge	000ó 255	0–100%
	4	Rouge Fin	000ó 255	0–100%
	5	Vert	000ó 255	0–100%
	6	Vert Fin	000ó 255	0–100%
	7	Bleu	000ó 255	0–100%
	8	Bleu Fin	000ó 255	0–100%
	9	Ambre	000ó 255	0–100%
	10	Ambre Fin	000ó 255	0–100%
	11	Lime	000ó 255	0–100%
	12	Lime Fin	000ó 255	0–100%
	13	Stroboscope	000ó 010 011ó 255	Pas de fonction Lent à rapide
	14	Roue de Couleurs Virtuelles	000ó 005 Pas de fonction 006ó 013 R4590 - CalColor 90 Yellow 014ó 021 R11 - Light Straw 022ó 028 R312 - Canary 029ó 035 R03 - Dark Bastard Amber 036ó 043 R18 - Flame 044ó 051 R20 - Medium Amber 052ó 059 R21 - Golden Amber 060ó 067 R26 - Light Red 068ó 075 R27 - Medium Red 076ó 083 R33 - No Color Pink 084ó 091 R337 - True Pink 092ó 099 R38 - Light Rose 100ó 107 R41 - Salmon 108ó 115 R42 - Deep Salmon 116ó 121 R44 - Middle Rose 122ó 130 R349 - Fisher Fuchsia 131ó 138 R54 - Special Lavender 139ó 146 R64 - Light Steel Blue 147ó 154 R364 - Blue Bell 155ó 162 R65 - Daylight Blue 163ó 170 R80 - Primary Blue 171ó 178 R81 - Urban Blue 179ó 186 R82 - Surprise Blue 187ó 194 R382 - Congo Blue 195ó 202 R83 - Medium Blue 203ó 210 R383 - Sapphire Blue 211ó 218 R90 - Dark Yellow Green 219ó 226 R91 - Primary Green 227ó 234 R92 - Turquoise 235ó 242 R93 - Blue Green 243ó 250 R393 - Emerald Green 251ó 255 Pas de fonction	

## Valeurs DMX (suite)

15Ch (Suite)	Canal	Fonction	Valeur	Pourcentage/Configuration
	15	Température de la Couleur	000ó 005	Pas de fonction
			006ó 025	2800K
			026ó 050	3200K
			051ó 075	3500K
			076ó 100	4000K
			101ó 125	4500K
			126ó 150	5000K
			151ó 175	5600K
			176ó 200	6000K
			201ó 225	6500K
			226ó 255	Pas de fonction

13Ch	Canal	Fonction	Valeur	Pourcentage/Configuration
	1	Gradateur	000ó 255	0–100%
	2	Gradateur Fin	000ó 255	0–100%
	3	Rouge	000ó 255	0–100%
	4	Rouge Fin	000ó 255	0–100%
	5	Vert	000ó 255	0–100%
	6	Vert Fin	000ó 255	0–100%
	7	Bleu	000ó 255	0–100%
	8	Bleu Fin	000ó 255	0–100%
	9	Ambre	000ó 255	0–100%
	10	Ambre Fin	000ó 255	0–100%
	11	Lime	000ó 255	0–100%
	12	Lime Fin	000ó 255	0–100%
	13	Stroboscope	000ó 010 011ó 255	Pas de fonction Lent à rapide

12Ch	Canal	Fonction	Valeur	Pourcentage/Configuration
	1	Gradateur	000ó 255	0–100%
	2	Rouge	000ó 255	0–100%
	3	Vert	000ó 255	0–100%
	4	Bleu	000ó 255	0–100%
	5	Ambre	000ó 255	0–100%
	6	Lime	000ó 255	0–100%
	7	Stroboscope	000ó 010 011ó 255	Pas de fonction Lent à rapide

## Valeurs DMX (suite)

12Ch (Suite)	Canal	Fonction	Valeur	Pourcentage/Configuration
8		Roue de Couleurs Virtuelles	000ó 005	Pas de fonction
			006ó 013	R4590 - CalColor 90 Yellow
			014ó 021	R11 - Light Straw
			022ó 028	R312 - Canary
			029ó 035	R03 - Dark Bastard Amber
			036ó 043	R18 - Flame
			044ó 051	R20 - Medium Amber
			052ó 059	R21 - Golden Amber
			060ó 067	R26 - Light Red
			068ó 075	R27 - Medium Red
			076ó 083	R33 - No Color Pink
			084ó 091	R337 - True Pink
			092ó 099	R38 - Light Rose
			100ó 107	R41 - Salmon
			108ó 115	R42 - Deep Salmon
			116ó 121	R44 - Middle Rose
			122ó 130	R349 - Fisher Fuchsia
			131ó 138	R54 - Special Lavender
			139ó 146	R64 - Light Steel Blue
			147ó 154	R364 - Blue Bell
			155ó 162	R65 - Daylight Blue
			163ó 170	R80 - Primary Blue
			171ó 178	R81 - Urban Blue
			179ó 186	R82 - Surprise Blue
			187ó 194	R382 - Congo Blue
195ó 202	R83 - Medium Blue			
203ó 210	R383 - Sapphire Blue			
211ó 218	R90 - Dark Yellow Green			
219ó 226	R91 - Primary Green			
227ó 234	R92 - Turquoise			
235ó 242	R93 - Blue Green			
243ó 250	R393 - Emerald Green			
251ó 255	Pas de fonction			
9		Température de la Couleur	000ó 005	Pas de fonction
			006ó 025	2800K
			026ó 050	3200K
			051ó 075	3500K
			076ó 100	4000K
			101ó 125	4500K
			126ó 150	5000K
			151ó 175	5600K
			176ó 200	6000K
			201ó 225	6500K
			226ó 255	Pas de fonction

## Valeurs DMX (suite)

12Ch (Suite)	Canal	Fonction	Valeur	Pourcentage/Configuration
10		Programmes Auto	000ó 010	Pas de fonction
			011ó 060	Auto 1
			061ó 110	Auto 2
			111ó 160	Auto 3
			161ó 210	Auto 4
			211ó 255	Auto 5
11		Vitesse Auto	000ó 255	Lent à rapide
12		Vitesse du Gradateur	000ó 051	Vitesse du gradateur prédéfinie depuis le menu
			052ó 101	Gradateur linéaire
			102ó 152	Courbe de gradation non linéaire 1 (le plus rapide)
			153ó 203	Courbe de gradation non linéaire 2
			204ó 255	Courbe de gradation non linéaire 3 (le moins rapide)

10Ch	Canal	Fonction	Valeur	Pourcentage/Configuration
	1	Gradateur	000ó 255	0-100%
	2	Gradateur Fin	000ó 255	0-100%
	3	Rouge	000ó 255	0-100%
	4	Vert	000ó 255	0-100%
	5	Bleu	000ó 255	0-100%
	6	Ambre	000ó 255	0-100%
	7	Lime	000ó 255	0-100%
	8	Stroboscope	000ó 010	Pas de fonction
			011ó 255	Lent à rapide



## Valeurs DMX (suite)

10Ch (Cont.)	Canal	Fonction	Valeur	Pourcentage/Configuration
9		Roue de Couleurs Virtuelles	000ó 005	Pas de fonction
			006ó 013	R4590 - CalColor 90 Yellow
			014ó 021	R11 - Light Straw
			022ó 028	R312 - Canary
			029ó 035	R03 - Dark Bastard Amber
			036ó 043	R18 - Flame
			044ó 051	R20 - Medium Amber
			052ó 059	R21 - Golden Amber
			060ó 067	R26 - Light Red
			068ó 075	R27 - Medium Red
			076ó 083	R33 - No Color Pink
			084ó 091	R337 - True Pink
			092ó 099	R38 - Light Rose
			100ó 107	R41 - Salmon
			108ó 115	R42 - Deep Salmon
			116ó 121	R44 - Middle Rose
			122ó 130	R349 - Fisher Fuchsia
			131ó 138	R54 - Special Lavender
			139ó 146	R64 - Light Steel Blue
			147ó 154	R364 - Blue Bell
			155ó 162	R65 - Daylight Blue
			163ó 170	R80 - Primary Blue
			171ó 178	R81 - Urban Blue
			179ó 186	R82 - Surprise Blue
			187ó 194	R382 - Congo Blue
195ó 202	R83 - Medium Blue			
203ó 210	R383 - Sapphire Blue			
211ó 218	R90 - Dark Yellow Green			
219ó 226	R91 - Primary Green			
227ó 234	R92 - Turquoise			
235ó 242	R93 - Blue Green			
243ó 250	R393 - Emerald Green			
251ó 255	Pas de fonction			
10		Température de la Couleur	000ó 005	Pas de fonction
			006ó 025	2800K
			026ó 050	3200K
			051ó 075	3500K
			076ó 100	4000K
			101ó 125	4500K
			126ó 150	5000K
			151ó 175	5600K
			176ó 200	6000K
			201ó 225	6500K
			226ó 255	Pas de fonction

## Valeurs DMX (suite)

7Ch	Canal	Fonction	Valeur	Pourcentage/Configuration
	1	Gradateur	000ó 255	0-100%
	2	Rouge	000ó 255	0-100%
	3	Vert	000ó 255	0-100%
	4	Bleu	000ó 255	0-100%
	5	Ambre	000ó 255	0-100%
	6	Lime	000ó 255	0-100%
	7	Stroboscope	000ó 010 011ó 255	Pas de fonction Lent à rapide

5Ch	Canal	Fonction	Valeur	Pourcentage/Configuration
	1	Rouge	000ó 255	0-100%
	2	Vert	000ó 255	0-100%
	3	Bleu	000ó 255	0-100%
	4	Ambre	000ó 255	0-100%
	5	Lime	000ó 255	0-100%

**Over deze handleiding** De Ovation E-910FC Beknopte Handleiding (BH) bevat basisinformatie over het product, zoals aansluiting, montage, menu-opties en DMX-waarden. Download de gebruikershandleiding op [www.chauvetprofessional.com](http://www.chauvetprofessional.com) voor meer informatie.

**Disclaimer** De informatie en specificaties in deze BH kunnen zonder voorafgaande kennisgeving worden gewijzigd.

- Veiligheids instructies**
- Open het product NIET. Het bevat geen te onderhouden onderdelen.
  - KIK NIET in de lichtbron wanneer het apparaat is ingeschakeld.
  - Om onnodige slijtage te elimineren en zijn levensduur te verlengen, gedurende perioden wanneer het product niet wordt gebruikt, moet u het product van de stroom afsluiten door een aardlekschakelaar om te zetten of door het te ontkoppelen.
  - LET OP: Bij het verplaatsen van het product uit extreme omgevingen, (bijv. koude vrachtwagen naar warme, vochtige balzaal) kan er condensvorming optreden op de elektronica van het product. Om storingen te vermijden moet het product volledig kunnen acclimatiseren aan de omgeving voordat het op stroom wordt aangesloten.
  - LET OP: De behuizing van dit product kan heet zijn wanneer het in bedrijf is.
  - Monteer dit product op een plek met voldoende ventilatie, ten minste 50 cm van de aangrenzende oppervlakken.
  - Plaats geen ontvlambaar materiaal binnen 50 cm van dit product als het in gebruik is of is aangesloten op het stopcontact.
  - GEBRUIK een veiligheidskabel bij het boven het hoofd plaatsen van dit product.
  - Gebruik dit product NIET buitenshuis of op een locatie waar stof, grote warmte, water of vochtigheid het kunnen beïnvloeden.
  - Gebruik dit product NIET als de behuizing, lenzen of kabels beschadigd lijken.
  - Sluit dit product NIET aan op een dimmer of een regelweerstand.
  - Sluit dit product UITSLUITEND op een geaard en beveiligd stroomcircuit.
  - Gebruik UITSLUITEND de ophang-/montagebeugels of de hendels om dit product te dragen.
  - Stop in het geval van ernstige operationele problemen onmiddellijk met het gebruik.
  - De maximale omgevingstemperatuur bedraagt 45 °C. Gebruik dit product niet bij hogere temperaturen.

**Contact** Van buiten de VS, Verenigd Koninkrijk, Ierland, Mexico of België kunt u contact opnemen met de distributeur of om ondersteuning vragen dan wel het product retourneren. Ga naar [www.chauvetprofessional.com](http://www.chauvetprofessional.com) voor contactinformatie.

- Wat is inbegrepen**
- Ovation E-910FC
  - Neutrik powerCON stroomsnoer
  - Garantiekaart
  - Beknopte handleiding

**AC-stroom** Dit product heeft een voeding met automatisch bereik die werkt met een ingangsspanning van 100–240 VAC, 50/60 Hz.

**Power Linking** U kunt tot 6 Ovation E-910FC -producten koppelen bij 120 V, 11 producten bij 208 V of 12 producten bij 230 V. Dit aantal niet overschrijden. Power Linking-snoeren kunnen apart aangeschaft worden.

AC-stekker	Aansluiting	Snoer (VS)	Snoer (Europa)	Schroefkleur
	AC Live	Zwart	Bruin	Geel/messing
	AC Neutraal	Wit	Blauw	Zilver
	AC Aarde	Groen/geel	Groen/geel	Groen



Om onnodige slijtage te elimineren en zijn levensduur te verlengen, gedurende perioden wanneer het product niet wordt gebruikt, moet u het product van de stroom afsluiten door een aardlekschakelaar om te zetten of door het te ontkoppelen.

### De zekering vervangen

1. Ontkoppel dit product van de stroom.
2. Gebruik een kruiskopschroevendraaier nr. 2 en schroef de kap van de zekeringhouder los van de behuizing.
3. Verwijder de doorgebrande zekering en vervang het met een werkende zekering van hetzelfde type en met dezelfde waarde.
4. Schroef de kap van de zekeringhouder terug en steek de stekker er weer in.

### DMX-koppeling

De Ovation E-910FC kan met een DMX-controller werken met een normale DMX seriële verbinding. Op [www.chauvetprofessional.com](http://www.chauvetprofessional.com) is een DMX-basishandleiding verkrijgbaar.

### DMX-aansluiting

De Ovation E-910FC gebruikt een normale DMX-gegevensverbinding voor zijn DMX-persoonlijkheden: **5Ch**, **7Ch**, **10Ch**, **12Ch**, **13Ch**, en **15Ch**. Zie de gebruikershandleiding om te verbinden en te configureren voor DMX-werking.

### Master/slave-verbinding

De Ovation E-910FC maakt gebruik van de DMX-dataverbinding voor haar Master-/Slave-modus. Zie de gebruikershandleiding om te verbinden en te configureren voor Master-/Slave-werking.

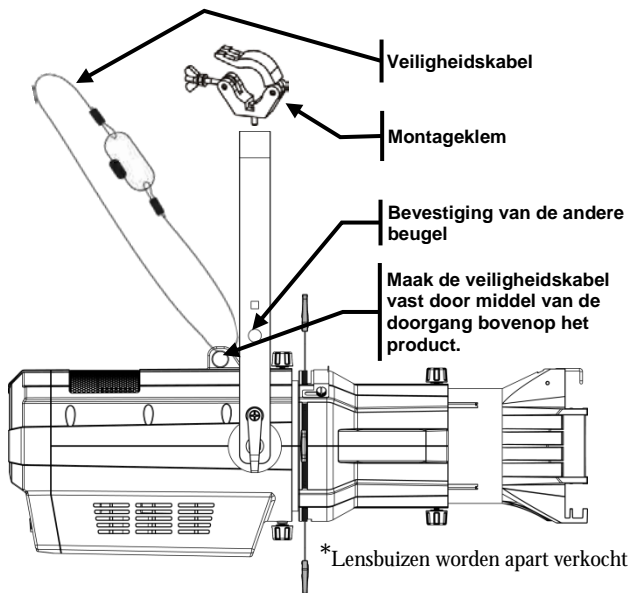
### RDM

### (apparaatbeheer op afstand)

Remote Device Management of RDM (apparaatbeheer op afstand) is een standaard die het voor DMX-apparaten mogelijk maakt om in twee richtingen te communiceren over bestaande DMX-kabels. De Ovation E-910FC ondersteunt het RDM-protocol dat zorgt feedback toelaat bij de bewaking van Temperatuur en wijzigingen aan de menu map-opties van **DMX Address** en **DMX Channel**. Download de gebruikershandleiding op [www.chauvetprofessional.com](http://www.chauvetprofessional.com) voor meer informatie.

**Montage** Lees alvorens dit product te monteren alle [Veiligheidsvoorschriften](#). Controleer of de montageklem het gewicht van het product kan dragen. Ga voor onze Chauvet-serie montageklemmen naar <http://trusst.com/products/>.

Montagediagram van het product



#### Montage boven het hoofd

#### Beschrijving bedieningspaneel

Toets	Functie
<MENU>	Sluit het huidige menu of functie af
<ENTER>	Activeert het huidige getoonde menu of plaatst de huidige geselecteerde waarde in de geselecteerde functie
<UP>	Navigeert omhoog via het menu of verhoogt de numerieke waarde wanneer in een functie
<DOWN>	Navigeert omlaag via het menu of verlaagt de numerieke waarde wanneer in een functie

**Virtueel kleurenwiel** De Ovation E-910FC bevat een nieuwe functie, genaamd het virtuele kleurenwiel (Virtual Color Wheel, VCW). Deze functie is beschikbaar als een losstaande bedieningsmodus voor handmatig gebruik en ook als een bedieningskanaal in elk van de DMX-persoonlijkheden van de producten. Voor eenvoudiger programmering zijn er meer dan dertig voorgemengde kleuren beschikbaar op basis van populaire gelkleuren van Rosco. Bij het handmatig selecteren van de kleuren op het virtuele kleurenwiel, verschijnt het betreffende gelnummer op het LED-display voor eenvoudige selectie en gebruiksgemak.



Deze formules werden ontwikkeld om een 750W Tungsten Ellipsoïde Spot armatuur passen. Bij de ontwikkeling van de bovenstaande formules de masterdimmer de Ovation E-910FC werd op de gezeleerde uitgang van de Tungsten armatuur passen. Merk op dat als gevolg van de doeltreffendheid van de lichtbron, Virtual kleurenwiel uitvoer kan afwijken van de gezeleerde dergelijks op een wolframbron op volle sterkte te kijken. De masterdimmer waarden moeten worden bijgesteld tot slechts 25% voor de Tungsten armatuur passen in de verzadigen kleuren.

## Kleurenkaart

DMX-kanaalwaarde	Weergave op het display	Rode waarde	Groene waarde	Blauwe waarde	Gele waarde	Lime waarde
000 ó 005		000	000	000	000	000
006 ó 013	<b>R4590-Cal90 Yellow</b>	233	163	020	123	255
014 ó 021	<b>R11-Light Straw</b>	224	158	047	255	231
022 ó 028	<b>R312-Canary</b>	180	060	000	245	255
029 ó 035	<b>R03-Dark BAmber</b>	245	107	081	255	213
036 ó 043	<b>R18-Flame</b>	230	130	062	255	155
044 ó 051	<b>R20-Medium Amber</b>	255	000	025	255	194
052 ó 059	<b>R21-Golden Amber</b>	255	000	024	255	150
060 ó 067	<b>R26-Light Red</b>	255	037	027	030	038
068 ó 075	<b>R27-Medium Red</b>	255	004	017	000	000
076 ó 083	<b>R33-NoColor Pink</b>	238	135	129	255	255
084 ó 091	<b>R337-True Pink</b>	255	131	120	255	195
092 ó 099	<b>R38-Light Rose</b>	250	165	123	255	210
100 ó 107	<b>R41-Salmon</b>	255	000	041	195	055
108 ó 115	<b>R42-Deep Salmon</b>	255	000	045	120	030
116 ó 121	<b>R44-Middle Rose</b>	255	050	115	255	115
122 ó 130	<b>R349-Fisher Fuchsia</b>	255	035	117	000	000
131 ó 138	<b>R54-Special Lavender</b>	127	122	142	251	255
139 ó 146	<b>R64-Light Steel Blue</b>	000	255	197	100	255
147 ó 154	<b>R364-Blue Bell</b>	158	255	189	000	255
155 ó 162	<b>R65-Daylight Blue</b>	000	255	180	000	243
163 ó 170	<b>R80-Primary Blue</b>	043	255	210	043	036
171 ó 178	<b>R81-Urban Blue</b>	000	255	218	000	181
179 ó 186	<b>R82-Surprise Blue</b>	000	210	206	000	118
187 ó 194	<b>R382-Congo Blue</b>	065	000	210	040	055
195 ó 202	<b>R83-Medium Blue</b>	000	203	230	000	040
203 ó 210	<b>R383-Sapphire Blue</b>	040	199	240	000	045
211 ó 218	<b>R90-Dk Yellow Green</b>	027	255	028	016	104
219 ó 226	<b>R91-Primary Green</b>	049	255	055	120	090
227 ó 234	<b>R92-Turquoise</b>	060	230	109	000	245
235 ó 242	<b>R93-Blue Green</b>	020	240	126	036	255
243 ó 250	<b>R393-Emerald Green</b>	000	255	079	030	053
251 ó 255		000	000	000	000	000



Let op: De kleuren hierboven zijn gesimuleerde waargaven van de kleurentoetsen die zijn geproduceerd, in vergelijking met de andere gelijksoortige lichtproducten. Chauvet geeft geen garantie over de nauwkeurigheid van de kleuropbrengst.

Grafiek vooringestelde kleurtemperatuur	DMX- kanaalwaarde	Weergave op het display	Rode waarde	Groene waarde	Blaauwe waarde	Gele waarde	Lime waarde
	000 ∘ 005		000	000	000	000	000
	006 ∘ 025	<b>2800K</b>	255	199	107	253	255
	026 ∘ 050	<b>3200K</b>	253	247	129	255	255
	051 ∘ 075	<b>3500K</b>	234	255	141	253	255
	076 ∘ 100	<b>4000K</b>	204	255	156	243	255
	101 ∘ 125	<b>4500K</b>	181	248	166	224	255
	126 ∘ 150	<b>5000K</b>	160	255	180	241	255
	151 ∘ 175	<b>5600K</b>	138	255	191	241	255
	176 ∘ 200	<b>6000K</b>	147	255	193	203	255
	201 ∘ 225	<b>6500K</b>	142	251	197	187	255
	226 ∘ 255		000	000	000	000	000



Let op: De bovenstaande kleurtemperaturen zijn gesimuleerde weergaven van de geproduceerde kleuropbrengst, in vergelijking met een wolfram-lamp bij de opgegeven kleurtemperatuur. Chauvet geeft geen garantie over de nauwkeurigheid van de kleuropbrengst.

## Menumap

Hoofdniveau	Programmeerniveaus	Beschrijving
DMX Address	<001-512>	Selecteert het DMX-startadres
DMX Channel	5Ch	5-kanaals: RGBAL-regeling
	7Ch	7-kanaals: RGBAL-regeling, dimmer, stroboscoop
	10Ch	10-kanaals: RGBAL-regeling, 16-bit dimmer, stroboscoop, VCW, kleurtemperatuur
	12Ch	12-kanaals: RGBAL-regeling, dimmer, stroboscoop, VCW, kleurtemperatuur, automatische programma's, autosnelheid, dimmersnelheid
	13Ch	13-kanaals: 16-bit RGBAL en dimmer, stroboscoop
	15Ch	15-kanaals: 16-bit RGBAL en dimmer, stroboscoop, VCW, kleurtemperatuur
Virtual Color Wheel	Virtual Color Wheel R4590-Cal90 Yellow R11-Light Straw R312-Canary R03-Dark BAmber R18-Flame R20-Medium Amber R21-Golden Amber R26-Light Red	Het virtuele kleurenwiel simuleert de opbrengst van elke gelkleur van Rosco. Raadpleeg de sectie <a href="#">kleurenkaart</a> voor specifieke waarden.

## Menukaart (vervolg)

Hoofdniveau	Programmeerniveaus		Beschrijving
Virtual Color Wheel (vervolg)	Virtual Color Wheel (vervolg)	R27-Medium Red	Het virtuele kleurenwiel simuleert de opbrengst van elke gelkleur van Rosco. Raadpleeg de sectie <a href="#">kleurenkaart</a> voor specifieke waarden.
		R33-NoColor Pink	
		R337-True Pink	
		R38-Light Rose	
		R41-Salmon	
		R42-Deep Salmon	
		R44-Middle Rose	
		R349-Fisher Fuchsia	
		R54-Special Lavender	
		R64-Light Steel Blue	
		R364-Blue Bell	
		R65-Daylight Blue	
		R80-Primary Blue	
		R81-Urban Blue	
		R82-Surprise Blue	
		R382-Congo Blue	
		R83-Medium Blue	
		R383-Sapphire Blue	
		R90-Dk Yellow Green	
		R91-Primary Green	
R92-Turquoise			
R93-Blue Green			
R393-Emerald Green			
Color Temperature		2800K	Voorinstelde witte kleurtemperaturen. Emuleert een wolfram-lamp bij de opgegeven kleurtemperatuur. Raadpleeg de sectie <a href="#">Grafiek voorinstelde kleurtemperatuur</a> voor specifieke waarden.
		3200K	
		3500K	
		4000K	
		4500K	
		5000K	
		5600K	
		6000K	
6500K			
Manual Color Mixer	Red	<0-255>	Combineert rood, groen, blauw, lime en geel om een aangepaste kleur te genereren (0-100%)
	Green		
	Blue		
	Amber		
	Lime		



## Menumap (vervolg)

Hoofdniveau	Programmeerniveaus		Beschrijving
Auto Show	Auto 1	<1-100>	Selecteert automatische programma's en automatische programmasnelheid
	Auto 2		
	Auto 3		
	Auto 4		
	Auto 5		
Master/Slave	Master		Ontvangt DMX-signalen van de DMX-controller
	Slave		Ontvangt DMX-signalen van de master
Dimmer Mode	Off		Selecteert dimprofielen van snel ( <b>Dimmer1</b> ) tot langzaam <b>Dimmer3</b> ) of <b>Off</b> (uit)
	Dimmer 1-3		
White Balance	OFF		Gebruikt standaard witte instelling
	Manual	Red	<125-255>
		Green	
		Blue	
LED Frequency	600Hz		Selecteert de PWM-uitgangsfrequentie
	1200Hz		
	2000Hz		
	4000Hz		
	25KHz		
Fan Mode	Auto		Balanceert LED-koeling met ventilators en niveau van het uitgangsvermogen
	On		Zorgt voor LED-koeling met ventilators die het volledige uitgangsvermogen mogelijk maken
Back Light	On		De backlight van de display is altijd aan
	10S		Schakelt de backlight van de display uit na 10s van inactiviteit
	20S		Schakelt de backlight van de display uit na 20s van inactiviteit
	30S		Schakelt de backlight van de display uit na 30s van inactiviteit
Information	Fixture Hours	<_ _ _ _H>	Toont het totale aantal producten
	Version	<V_ _>	Toont de geïnstalleerde softwareversie
	UID:	-----	Geeft de huidige UID #

## DMX-waarden

15Ch	Kanaal	Functie	Waarde	Percentage/instelling
	1	Dimmer	000ó255	0–100%
	2	Fijne dimmer	000ó255	0–100%
	3	Rood	000ó255	0–100%
	4	Fijn rood	000ó255	0–100%
	5	Groen	000ó255	0–100%
	6	Fijn groen	000ó255	0–100%
	7	Blauw	000ó255	0–100%
	8	Fijn blauw	000ó255	0–100%
	9	Geel	000ó255	0–100%
	10	Fijn geel	000ó255	0–100%
	11	Lime	000ó255	0–100%
	12	Fijn Lime	000ó255	0–100%
	13	Stroboscoop	000ó010 011ó255	Geen functie Langzaam tot snel
	14	Virtueel kleurenwiel	000ó005 006ó013 014ó021 022ó028 029ó035 036ó043 044ó051 052ó059 060ó067 068ó075 076ó083 084ó091 092ó099 100ó107 108ó115 116ó121 122ó130 131ó138 139ó146 147ó154 155ó162 163ó170 171ó178 179ó186 187ó194 195ó202 203ó210 211ó218 219ó226 227ó234 235ó242 243ó250 251ó255	Geen functie R4590 - CalColor 90 Yellow R11 - Light Straw R312 - Canary R03 - Dark Bastard Amber R18 - Flame R20 - Medium Amber R21 - Golden Amber R26 - Light Red R27 - Medium Red R33 - No Color Pink R337 - True Pink R38 - Light Rose R41 - Salmon R42 - Deep Salmon R44 - Middle Rose R349 - Fisher Fuchsia R54 - Special Lavender R64 - Light Steel Blue R364 - Blue Bell R65 - Daylight Blue R80 - Primary Blue R81 - Urban Blue R82 - Surprise Blue R382 - Congo Blue R83 - Medium Blue R383 - Sapphire Blue R90 - Dark Yellow Green R91 - Primary Green R92 - Turquoise R93 - Blue Green R393 - Emerald Green Geen functie

**DMX-waarden (vervolg)**

<b>15Ch (vervolg)</b>	<b>Kanaal</b>	<b>Functie</b>	<b>Waarde</b>	<b>Percentage/instelling</b>
	15	Kleurtemperatuur	000ó 005	Geen functie
			006ó 025	2800K
			026ó 050	3200K
			051ó 075	3500K
			076ó 100	4000K
			101ó 125	4500K
			126ó 150	5000K
			151ó 175	5600K
			176ó 200	6000K
			201ó 225	6500K
			226ó 255	Geen functie

<b>13Ch</b>	<b>Kanaal</b>	<b>Functie</b>	<b>Waarde</b>	<b>Percentage/instelling</b>
	1	Dimmer	000ó 255	0-100%
	2	Fijne dimmer	000ó 255	0-100%
	3	Rood	000ó 255	0-100%
	4	Fijn rood	000ó 255	0-100%
	5	Groen	000ó 255	0-100%
	6	Fijn groen	000ó 255	0-100%
	7	Blauw	000ó 255	0-100%
	8	Fijn blauw	000ó 255	0-100%
	9	Geel	000ó 255	0-100%
	10	Fijn geel	000ó 255	0-100%
	11	Lime	000ó 255	0-100%
	12	Fijn Lime	000ó 255	0-100%
	13	Stroboscoop	000ó 010 011ó 255	Geen functie Langzaam tot snel

<b>12Ch</b>	<b>Kanaal</b>	<b>Functie</b>	<b>Waarde</b>	<b>Percentage/instelling</b>
	1	Dimmer	000ó 255	0-100%
	2	Rood	000ó 255	0-100%
	3	Groen	000ó 255	0-100%
	4	Blauw	000ó 255	0-100%
	5	Geel	000ó 255	0-100%
	6	Lime	000ó 255	0-100%
	7	Stroboscoop	000ó 010 011ó 255	Geen functie Langzaam tot snel

**DMX-waarden (vervolg)**

12Ch (vervolg)	Kanaal	Functie	Waarde	Percentage/instelling
8	Virtueel kleurenwiel	000ó 005	Geen functie	
		006ó 013	R4590 - CalColor 90 Yellow	
		014ó 021	R11 - Light Straw	
		022ó 028	R312 - Canary	
		029ó 035	R03 - Dark Bastard Amber	
		036ó 043	R18 - Flame	
		044ó 051	R20 - Medium Amber	
		052ó 059	R21 - Golden Amber	
		060ó 067	R26 - Light Red	
		068ó 075	R27 - Medium Red	
		076ó 083	R33 - No Color Pink	
		084ó 091	R337 - True Pink	
		092ó 099	R38 - Light Rose	
		100ó 107	R41 - Salmon	
		108ó 115	R42 - Deep Salmon	
		116ó 121	R44 - Middle Rose	
		122ó 130	R349 - Fisher Fuchsia	
		131ó 138	R54 - Special Lavender	
		139ó 146	R64 - Light Steel Blue	
		147ó 154	R364 - Blue Bell	
		155ó 162	R65 - Daylight Blue	
		163ó 170	R80 - Primary Blue	
		171ó 178	R81 - Urban Blue	
		179ó 186	R82 - Surprise Blue	
		187ó 194	R382 - Congo Blue	
		195ó 202	R83 - Medium Blue	
		203ó 210	R383 - Sapphire Blue	
		211ó 218	R90 - Dark Yellow Green	
		219ó 226	R91 - Primary Green	
		227ó 234	R92 - Turquoise	
235ó 242	R93 - Blue Green			
243ó 250	R393 - Emerald Green			
251ó 255	Geen functie			
9	Kleurtemperatuur	000ó 005	Geen functie	
		006ó 025	2800K	
		026ó 050	3200K	
		051ó 075	3500K	
		076ó 100	4000K	
		101ó 125	4500K	
		126ó 150	5000K	
		151ó 175	5600K	
		176ó 200	6000K	
		201ó 225	6500K	
		226ó 255	Geen functie	

**DMX-waarden (vervolg)**

<b>12Ch (vervolg)</b>	<b>Kanaal</b>	<b>Functie</b>	<b>Waarde</b>	<b>Percentage/instelling</b>
	10	Automatische programma's	000 ó 010 011 ó 060 061 ó 110 111 ó 160 161 ó 210 211 ó 255	Geen functie Auto 1 Auto 2 Auto 3 Auto 4 Auto 5
	11	Automatische snelheid	000 ó 255	Langzaam tot snel
	12	Dimmersnelheid	000 ó 051 052 ó 101 102 ó 152 153 ó 203 204 ó 255	Voorinstelling van de dimmersnelheid vanaf het displaymenu Lineaire dimmer Niet-lineaire dimcurve 1 (snelst) Niet-lineaire dimcurve 2 Niet-lineaire dimcurve 3 (langzaamst)

<b>10Ch</b>	<b>Kanaal</b>	<b>Functie</b>	<b>Waarde</b>	<b>Percentage/instelling</b>
	1	Dimmer	000 ó 255	0-100%
	2	Fijne dimmer	000 ó 255	0-100%
	3	Rood	000 ó 255	0-100%
	4	Groen	000 ó 255	0-100%
	5	Blauw	000 ó 255	0-100%
	6	Geel	000 ó 255	0-100%
	7	Lime	000 ó 255	0-100%
	8	Stroboscoop	000 ó 010 011 ó 255	Geen functie Langzaam tot snel

**DMX-waarden (vervolg)**

10Ch (vervolg)	Kanaal	Functie	Waarde	Percentage/instelling
9	Virtueel kleurenwiel	000ó 005	Geen functie	
		006ó 013	R4590 - CalColor 90 Yellow	
		014ó 021	R11 - Light Straw	
		022ó 028	R312 - Canary	
		029ó 035	R03 - Dark Bastard Amber	
		036ó 043	R18 - Flame	
		044ó 051	R20 - Medium Amber	
		052ó 059	R21 - Golden Amber	
		060ó 067	R26 - Light Red	
		068ó 075	R27 - Medium Red	
		076ó 083	R33 - No Color Pink	
		084ó 091	R337 - True Pink	
		092ó 099	R38 - Light Rose	
		100ó 107	R41 - Salmon	
		108ó 115	R42 - Deep Salmon	
		116ó 121	R44 - Middle Rose	
		122ó 130	R349 - Fisher Fuchsia	
		131ó 138	R54 - Special Lavender	
		139ó 146	R64 - Light Steel Blue	
		147ó 154	R364 - Blue Bell	
		155ó 162	R65 - Daylight Blue	
		163ó 170	R80 - Primary Blue	
		171ó 178	R81 - Urban Blue	
		179ó 186	R82 - Surprise Blue	
		187ó 194	R382 - Congo Blue	
		195ó 202	R83 - Medium Blue	
		203ó 210	R383 - Sapphire Blue	
211ó 218	R90 - Dark Yellow Green			
219ó 226	R91 - Primary Green			
227ó 234	R92 - Turquoise			
235ó 242	R93 - Blue Green			
243ó 250	R393 - Emerald Green			
251ó 255	Geen functie			
10	Kleurtemperatuur	000ó 005	Geen functie	
		006ó 025	2800K	
		026ó 050	3200K	
		051ó 075	3500K	
		076ó 100	4000K	
		101ó 125	4500K	
		126ó 150	5000K	
		151ó 175	5600K	
		176ó 200	6000K	
		201ó 225	6500K	
		226ó 255	Geen functie	

**DMX-waarden (vervolg)**

<b>7Ch</b>	<b>Kanaal</b>	<b>Functie</b>	<b>Waarde</b>	<b>Percentage/instelling</b>
	1	Dimmer	000ó 255	0–100%
	2	Rood	000ó 255	0–100%
	3	Groen	000ó 255	0–100%
	4	Blauw	000ó 255	0–100%
	5	Geel	000ó 255	0–100%
	6	Lime	000ó 255	0–100%
	7	Stroboscoop	000ó 010 011ó 255	Geen functie Langzaam tot snel

<b>5Ch</b>	<b>Kanaal</b>	<b>Functie</b>	<b>Waarde</b>	<b>Percentage/instelling</b>
	1	Rood	000ó 255	0–100%
	2	Groen	000ó 255	0–100%
	3	Blauw	000ó 255	0–100%
	4	Geel	000ó 255	0–100%
	5	Lime	000ó 255	0–100%

## Contact Us

### USA WORLD HEADQUARTERS

**General Information - Chauvet**  
 Address: 5200 NW 108th Avenue  
 Sunrise, FL 33351  
 Voice: (954) 577-4455  
 Fax: (954) 929-5560  
 Toll free: (800) 762-1084

### Technical Support

Voice: (954) 577-4455 (Press 4)  
 Fax: (954) 756-8015  
 Email: [tech@chauvetlighting.com](mailto:tech@chauvetlighting.com)

### World Wide Web

[www.chauvetlighting.com](http://www.chauvetlighting.com)

### EUROPE

**General Information - Chauvet Europe BVBA**  
 Address: Stokstraat 18  
 9770 Kruishoutem  
 Belgium  
 Voice: +32 9 388 93 97

### Technical Support

Email: [Eutech@chauvetlighting.eu](mailto:Eutech@chauvetlighting.eu)

### World Wide Web

[www.chauvetlighting.eu](http://www.chauvetlighting.eu)

### General Information - Chauvet Europe Ltd.

Address: Unit 1C  
 Brookhill Road Industrial Estate  
 Pinxton, Nottingham, UK  
 NG16 6NT  
 Voice: +44 (0)1773 511115  
 Fax: +44 (0)1773 511110

### Technical Support

Email: [uktech@chauvetlighting.com](mailto:uktech@chauvetlighting.com)

### World Wide Web

[www.chauvetlighting.co.uk](http://www.chauvetlighting.co.uk)

### MEXICO

### General Information - Chauvet Mexico

Address: Av. Santa Ana 30  
 Parque Industrial Lerma  
 Lerma, Mexico C.P. 52000  
 Voice: +52 (728) 285-5000

### Technical Support

Email: [servicio@chauvet.com.mx](mailto:servicio@chauvet.com.mx)

### World Wide Web

[www.chauvet.com.mx](http://www.chauvet.com.mx)

Outside the U.S., United Kingdom, Ireland, Mexico, or Benelux contact the dealer of record. Follow their instructions to request support or to return a product. Visit our website for contact details.



UL 1573  
 CSA C22.2 No. 166  
 E113093

