

SWARMTM 5FX

User Manual



LASER LIGHT
AVOID DIRECT EYE EXPOSURE
CLASS 3R LASER PRODUCT
CLASSIFIED PER EN/IEC 60825-1:2007
Complies with FDA performance standards
for laser products except for deviations
pursuant to Laser Notice No. 50, dated June
24, 2007.

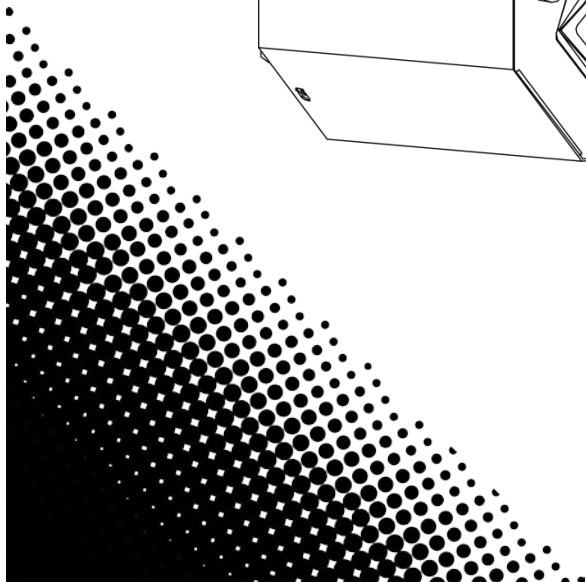
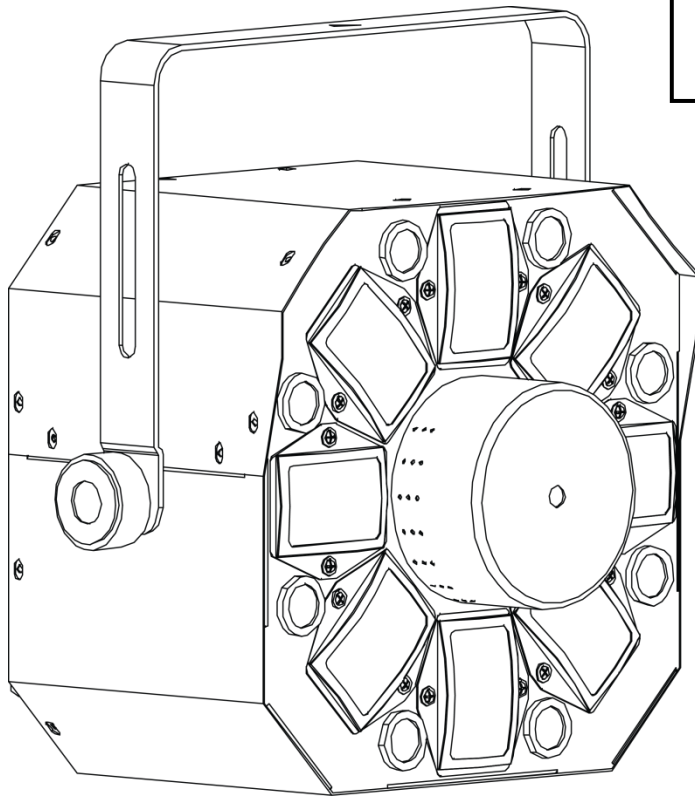


TABLE OF CONTENTS

1. Before You Begin	7
What Is Included.....	7
Unpacking Instructions	7
Claims	7
Manual Conventions.....	7
Symbols.....	7
Disclaimer.....	7
Safety Notes.....	8
Non-Interlocked Housing Warning	9
Laser Safety Notes.....	9
Laser Safety Label Reproduction.....	11
Laser Exposure Warning.....	12
Laser Emission Data	12
Laser Compliance Statement.....	12
2. Introduction	13
Overview.....	13
Dimensions.....	14
3. Setup	15
AC Power	15
Fuse Replacement.....	15
Power Linking.....	16
Power Linking Diagram	16
Mounting.....	17
Orientation.....	17
Rigging	17
Mounting Diagram	17
Proper Usage	18
4. Operation	19
Control Panel Operation.....	19
Menu Map.....	19
Configuration (DMX).....	19
Starting Address.....	19
DMX Channel Assignments and Values	20
9-Channel	20
Configuration (Standalone)	22
Sound-Active Mode.....	22
Automatic Mode	22
Master/Slave	22
Mode	22
5. Technical Information	23
Product Maintenance	23
6. Technical Specifications	24
Returns	25
Contact Us	26
1. Antes de Empezar	27
Qué Va Incluido.....	27

Instrucciones de Desembalaje	27
Reclamaciones	27
Convenciones del Manual	27
Símbolos	27
Exención de Responsabilidad	27
Notas de Seguridad	28
Advertencia sobre Carcasa no Cerrada	29
Notas de Seguridad sobre Láser	29
Reproducción de la Etiqueta de Seguridad del Láser	31
Advertencia sobre Exposición al Láser	32
Datos de Emisión Láser	32
Declaración de Conformidad Láser	32
2. Introducción	33
Vista General	33
Dimensiones	34
3. Instalación	35
Corriente Alterna	35
Sustitución del Fusible	35
Alimentación en Cadena	36
Diagrama de Alimentación en Cadena	36
Montaje	37
Orientación	37
Colocación	37
Diagrama de Montaje	37
Uso Adecuado	38
4. Funcionamiento	39
Manejo del Panel de Control	39
Mapa de Menú	39
Configuración (DMX)	39
Dirección de Inicio	39
Modos de Canal, Asignaciones y Valores DMX	40
9 Canales	40
9 Canales (Cont.)	41
Configuración Independiente	41
Modo Activo por Sonido	42
Modo Automático	42
Modo Maestro/Esclavo	42
5. Información Técnica	43
Mantenimiento del Producto	43
6. Especificaciones Técnicas	44
Devoluciones	45
Contacto	46
1. Avant de Commencer	47
Ce Qui Est Compris	47
Instructions Relatives au Déballage	47
Réclamations	47
Conventions de Ce Manuel	47
Symboles	47
Clause de Non-Responsabilité	47
Consignes de Sécurité	48

Avertissement : Boîtier non Verrouillable	49
Consignes de Sécurité Relatives au Laser	49
Reproductions des Etiquettes en Matière de Sécurité des Appareils Laser	51
Avertissement d'Exposition au Laser	52
Données d'Emission Laser.....	52
Déclaration De Conformité Du Laser	52
2. Introduction.....	53
Aperçu	53
Dimensions	54
3. Configuration	55
Alimentation CA.....	55
Remplacement du Fusible	55
Connexion Electrique	56
Diagramme de Raccordement d'Alimentation.....	56
Installation	57
Orientation.....	57
Suspension.....	57
Utilisation Adéquate.....	58
4. Fonctionnement.....	59
Fonctionnement du Panneau de Commande	59
Tableau du Menu.....	59
Configuration (DMX).....	59
Adresse de Départ	59
Valeurs, Assignations et Modes de Canaux DMX	60
9 Canaux	60
9 Canaux (Suite)	61
Configuration (Autonome)	62
Mode Musical	62
Mode Automatique	62
Mode Maître/Esclave	62
5. Informations Techniques	63
Entretien de l'Appareil	63
6. Spécificités Techniques	64
Renvois	65
Nous Contacter	66
1. Erste Schritte	67
Packungs-inhalt	67
Anweisungen für das Auspacken	67
Schadens-meldung	67
Konventionen des Handbuchs	67
Symbole.....	67
Haftungs-ausschluss	67
Sicherheits-hinweise.....	68
Achtung! Kein Schutz bei geöffnetem Gehäuse	69
Hinweise zur Lasersicher-heit	69
Warn- und Sicherheitsschilder auf dem Lasergerät.....	71
Warnung vor Laserstrahlen.....	72
Laseremissions-daten	72
Laser-Konformitäts-erklärung.....	72

2. Einleitung	73
Überblick.....	73
Abmessungen.....	74
3. Einrichten des Geräts	75
Wechselstrom.....	75
Auswechseln der Sicherung.....	75
Reihenschaltung der Geräte	76
Abbildung für Serienschaltung	76
Montage.....	77
Montagerichtung.....	77
Hängende Montage.....	77
Montageansicht	77
Bestimmungs-gemäße Verwendung	78
4. Betrieb	79
Betrieb des Bedienfeldes	79
Menüstruktur.....	79
Konfiguration (DMX).....	79
Startadresse	79
DMX-Kanal – Zuordnungen und Werte.....	80
9-Kanal	80
Konfiguration (Stand-alone)	82
Musiksteuerungs-Modus	82
Auto-Modus	82
Master/Slave	83
Modus.....	83
5. Technische Informationen	84
Wartung des Geräts	84
6. Technische Daten	85
Rekla-mationen	86
Kontakt	87
1. Voordat u begint	88
Wat is er inbegrepen	88
Uitpakinstructies	88
Claims	88
Conventies van deze handleiding	88
Symbolen.....	88
Disclaimer	88
Veiligheids-voorschriften	89
Niet-bevestigde waarschuwing op de behuizing.....	90
Veiligheids-voorschriften voor de laser	90
Reproductie van veiligheidsetiket voor de laser.....	92
Blootstellingswaarschuwing van de laser	93
Emissiegegevens van de laser	93
Nalevingsverklaring van de laser	93
2. Inleiding.....	94
Overzicht	94
Afmetingen	95
3. Instelling.....	96
AC-stroom	96
Vervangen van de zekering	96

Power Linking.....	97
Power Linking-diagram.....	97
Montage.....	98
Oriëntatie.....	98
Opbouw.....	98
Montagediagram.....	98
Correct gebruik.....	99
4. Werking.....	100
Werking van het bedieningspaneel.....	100
Menu Map.....	100
Configuratie (DMX).....	100
Startadres.....	100
DMX-kanaaltoewijzingen en waarden.....	101
9-kanaals.....	101
Configuratie (losstaand).....	103
Geluidsactieve modus.....	103
Automatische modus.....	103
Master/Slave.....	104
Modus.....	104
5. Technische informatie.....	105
Productonderhoud.....	105
6. Technische Specificaties.....	106
Retouren.....	107
Neem contact Op.....	108

1. BEFORE YOU BEGIN

What Is Included

- Swarm™ 5 FX
- External power cord
- Warranty card
- User Manual

Unpacking Instructions

Carefully unpack the product immediately and check the box to make sure all the parts are in the package and are in good condition.

Claims




If the box or the contents (the product and included accessories) appear damaged from shipping or show signs of mishandling, notify the carrier immediately, not Chauvet. Failure to do so in a timely manner may invalidate your claim with the carrier. In addition, keep the container and all the packing material for inspection.

For other issues, such as missing components or parts, damage not related to shipping, or concealed damage, file a claim with Chauvet within 7 days of delivery.

Manual Conventions

Convention	Meaning
1–512	A range of values
50/60	A set of values of which only one can be chosen
Settings	A menu option not to be modified
Menu > Settings	A sequence of menu options to be followed
<ENTER>	A key to be pressed on the product's control panel
ON	A value to be entered or selected

Symbols

Symbol	Meaning
	Critical installation, configuration, or operation information. Ignoring this information can cause the product to not work, damage it, or cause harm to the operator.
	Important installation or configuration information. The product may not function correctly if this information is not used.
	Useful information.

Disclaimer

The information and specifications contained in this document are subject to change without notice. Chauvet assumes no responsibility or liability for any errors or omissions that may appear in this manual, and reserves the right to revise or recreate this manual at any time.

Download the latest version from <http://www.chauvetlighting.com/product-manuals-literature/>.

© Copyright 2015 Chauvet. All rights reserved.

Printed in P.R.C.

Electronically published by Chauvet in the United States of America.

Author	Date	Editor	Date
M. Trouard	04/06/2015	A. Leon	04/06/2015

Safety Notes The Safety Notes include important laser system safety information. Read and understand all instructions before powering on the laser for the first time. Knowing these safety instructions is crucial to avoiding laser eye injury and breaking the law. Keep this User Manual in a safe place for future reference.



STOP AND READ ALL LASER SAFETY DATA



- Lasers can be hazardous and have unique safety considerations. Permanent eye injury and blindness is possible if lasers are used incorrectly. Pay close attention to each safety REMARK and WARNING statement in this User Manual. Read all instructions carefully BEFORE operating this device.
- Always connect the product to a grounded circuit to avoid the risk of electrocution.
- Always disconnect the product from the power source before cleaning.
- Avoid direct eye exposure to the light source while the product is on.
- Make sure the power cord is not crimped or damaged.
- Never disconnect the product from power by pulling or tugging on the cord.
- If mounting the product overhead, always secure to a fastening device using a safety cable.
- Make sure there are no flammable materials close to the product when operating.
- Do not touch the product's housing when operating because it may be very hot.



- This product is not intended for permanent installation.
- Always make sure that the voltage of the outlet to which you are connecting the product is within the range stated on the decal or rear panel of the product.
- The product is for indoor use only! (IP20) To prevent risk of fire or shock, do not expose the product to rain or moisture.
- Always install the product in a location with adequate ventilation, at least 20 in (50 cm) from adjacent surfaces.
- Be sure that no ventilation slots on the product's housing are blocked.
- Never connect the product to a dimmer.
- Always use the mounting bracket to carry the product.
- Do not switch the product on/off in short intervals. This will reduce the laser diode life.
- Do not shake this product. Avoid brute force when mounting or operating this product.
- ALWAYS use a safety cable when mounting the product overhead.
- The ambient operating temperature for the laser is 59 °F to 95 °F (15 °C to 35 °C). Do not operate this product outside this range.
- In the event of a serious operating problem, stop using the product immediately.
- Never try to repair the product. Repairs carried out by unskilled people can lead to damage or malfunction. Contact the nearest authorized technical assistance center.



- Avoid direct eye contact with laser light. Never intentionally expose your eyes or others to direct laser light.
- This laser product can potentially cause instant eye injury or blindness if laser light directly strikes the eyes.
- It is illegal and dangerous to shine this laser into audience areas, where the audience or other personnel could get direct laser beams or bright reflections into their eyes.
- It is a U.S. federal offense to shine any laser at aircraft.
- Use of controls, adjustments, or procedures other than those specified in this User Manual may result in hazardous radiation exposure.
- To eliminate wear and improve its lifespan, during periods of non-use completely disconnect from power via breaker or by unplugging it.
- **DO NOT attempt any repairs. Repairs and servicing must be carried out by a certified technician. Unauthorized modifications are forbidden for safety reasons!**



- **Keep this User Manual for future consultation. If transferring ownership of the product to another user, be sure this document is kept with the laser.**

Non-Interlocked Housing Warning

- This unit contains high power laser devices internally.
- Do not open the laser housing, due to potential exposure to unsafe levels of laser radiation.
- The laser power levels, accessible if the unit is opened, can cause instant blindness, skin burns, and fires.

Laser Safety Notes



STOP AND READ ALL THE LASER SAFETY NOTES BELOW



Laser light is different from any other light. Laser light can cause eye injury if the product is not set up and used properly. Laser light is a thousand times more concentrated than any other kind of light. This concentration can cause instant eye injuries by burning the retina (the light-sensitive portion at the back of the eye). The heat from a laser light cannot be felt, but it can still injure or blind product operators and the audience. Even very small amounts of laser light at long distances are potentially hazardous.

DO NOT assume that exposure to an individual laser beam is safe, even a tiny beam split off from a larger beam. This laser product uses dozens of milliwatts of laser power—Class 3B levels internally—and splits them into multiple beams—Class 3R levels. The individual Class 3R level beams are potentially hazardous to the eyes.

DO NOT assume that a moving laser light is safe. Laser light is never without risk. Since eye injuries can occur instantly, it is critical to prevent the possibility of ANY direct eye exposure. According to laser safety regulations, it is not legal to aim Class 3R lasers into areas where people can be exposed, even if the laser is aimed below people's faces, such as at a dance floor.

-
- Do not operate the laser without first reading and understanding all the safety and technical data in this manual.
 - ALWAYS set up and install all laser effects so that any laser light is at least 3 meters (9.8 feet) above the floor on which people are standing. See the [Proper Usage](#) section of this manual.
 - After setup, and prior to public use, test the lasers to ensure they are functioning properly. Do not use the product if any defect is detected.
 - DO NOT use laser if it is emitting only one or two beams, rather than dozens/hundreds, as this indicates damage to the diffraction grating optic, and allows emission of laser levels higher than Class 3R.
 - DO NOT point lasers at people or animals.
 - DO NOT look into the laser aperture or laser beams.
 - DO NOT point lasers into areas where people could be exposed to them..
 - DO NOT point lasers at highly reflective surfaces such as windows, mirrors, and shiny metal. Even laser reflections can be hazardous.
 - Never point a laser at aircraft; this is a U.S. federal offense.
 - Never point un-terminated laser beams into the sky.
 - Do not expose the output optic (aperture) to harsh cleaning chemicals.
 - Do not use the laser if the housing is damaged, open, or if the optics appear damaged in any way.
 - Never open the laser housing. The high laser power levels inside of the protective housing can start fires or burn skin, and will cause instant eye injury.
 - Never leave this product running unattended.
 - The operation of a Class 3R laser show is allowed only if the lasers are operated by a skilled and well-trained professional, who is familiar with the data included in this manual.
 - The legal requirements for using laser entertainment products vary from country to country. The user is responsible for the legal requirements in the location/country of use.



CAUTION! Do not operate this device in ways not specified in this User Manual. Failure to follow the instructions will void the warranty, may damage the product, or injure the user or the audience.



CAUTION! This product cannot be discarded with household waste. Contact your local waste management service for electronic disposal regulations in your area.

Laser Exposure Warning **LASER LIGHT AVOID DIRECT EYE EXPOSURE**

Further guidelines and safety programs for safe use of lasers can be found in the ANSI Z136.1 Standard "For Safe Use of Lasers", available from the Laser Institute of America: www.laserinstitute.org. Many local governments, corporations, agencies, military, and others, require all lasers to be used under the guidelines of ANSI Z136.1. Laser Display guidance can be obtained via the International Laser Display Association: www.laserist.org.

Laser Emission Data

As measured under IEC measurement conditions for classification.

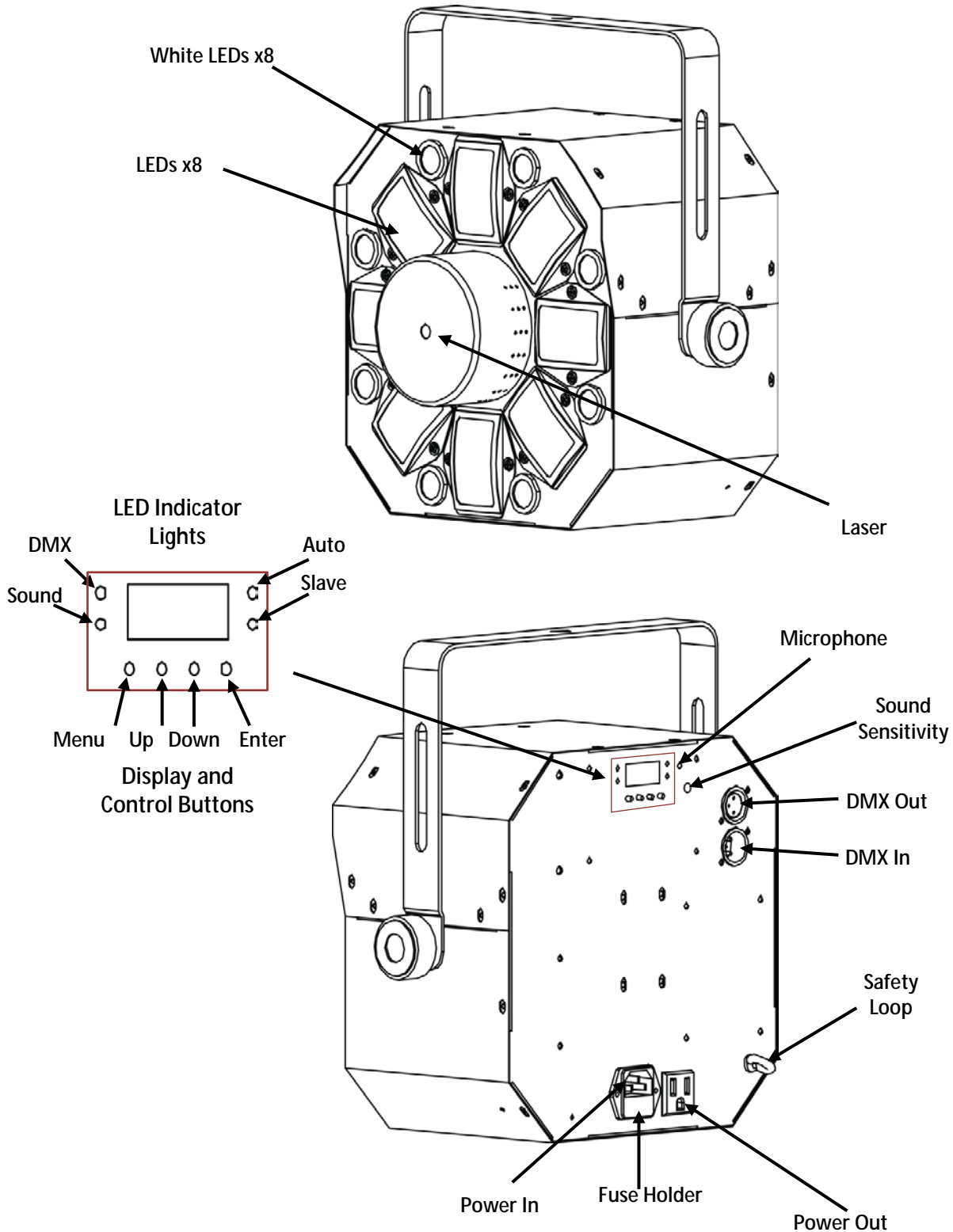
Laser Classification	Class 3R
Green Laser Medium	DPSS Nd:YVO4, 532 nm/50 mW
Red Laser Medium	LD GaAlAs, 650 nm/100 mW
Beam Diameter	<5 mm at aperture
Pulse Data	All pulses < 4 Hz (>0.25 sec)
Divergence (each beam)	<2 mrad
Divergence (total light)	<160 degrees
Laser Power of Each Beam from Aperture*	<5 mW

Laser Compliance Statement

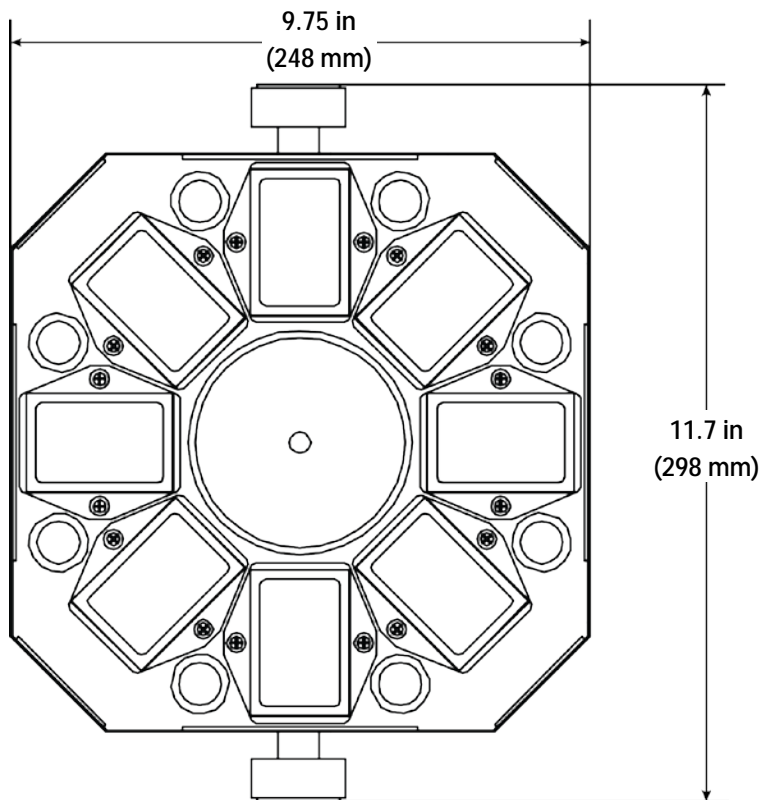
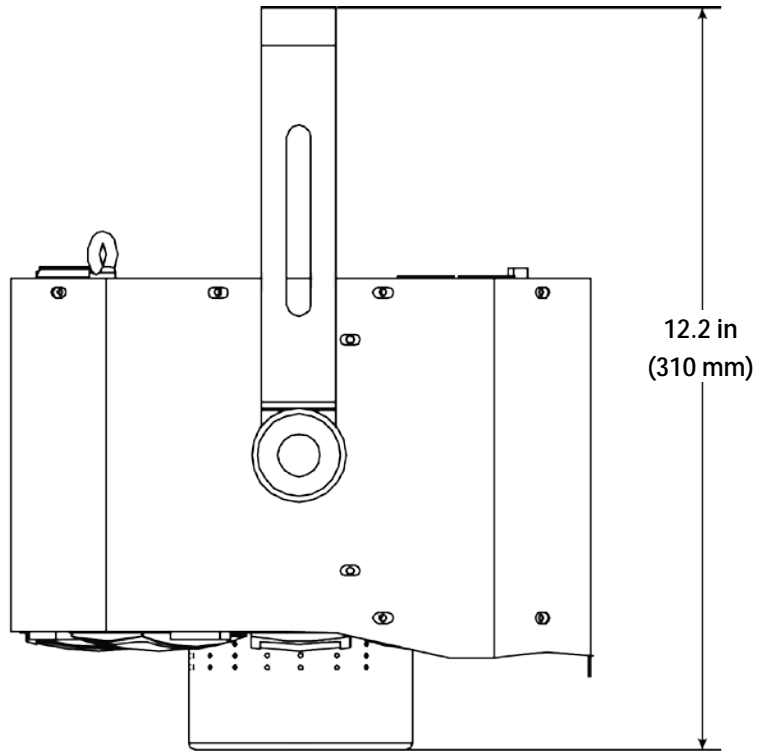
This laser product complies with EN/IEC 60825-1 Ed 2, 2007-03, and U.S. FDA/CDRH FLPPS via the terms of Laser Notice No. 50 dated June 24, 2007. This laser device is classified 3R. (Class 3R is the international equivalent of U.S. Class IIIa.) No maintenance is required to keep this product in compliance with laser performance standards.

2. INTRODUCTION

Overview



Dimensions



3. SETUP

AC Power The Swarm™ 5 FX has an internal auto-ranging power supply and it can work with an input voltage range of 100 to 240 VAC, 50/60 Hz.

To determine the product's power requirements (circuit breaker, power outlet, and wiring), use the current value listed on the label affixed to the product's back panel, or refer to [Technical Specifications](#) in this manual. The listed current rating indicates the product's average current draw under normal conditions.



- **Always connect the product to a protected circuit (circuit breaker or fuse). Make sure the product has an appropriate electrical ground to avoid the risk of electrocution or fire.**
- **To eliminate wear and improve its lifespan, during periods of non-use completely disconnect from power via breaker or by unplugging it.**



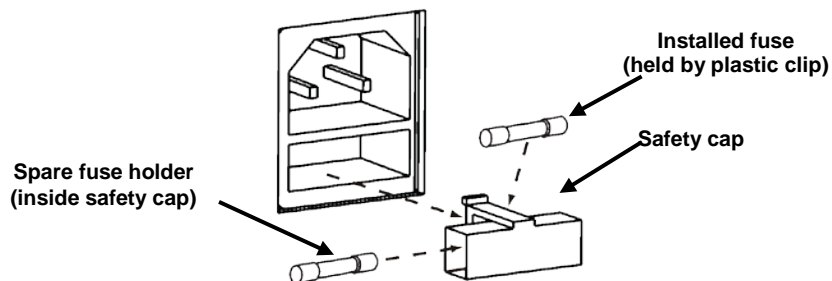
Never connect the product to a rheostat (variable resistor) or dimmer circuit, even if the rheostat or dimmer channel serves only as a 0 to 100% switch.

Fuse Replacement

1. Disconnect the product from power.
2. Wedge the tip of a flat-head screwdriver into the slot of the fuse holder.
3. Pry the fuse holder out of the housing.
4. Remove the blown fuse from the holder.
5. Replace with a fuse of the exact same type and rating.
6. Insert the fuse holder back in place and reconnect power.



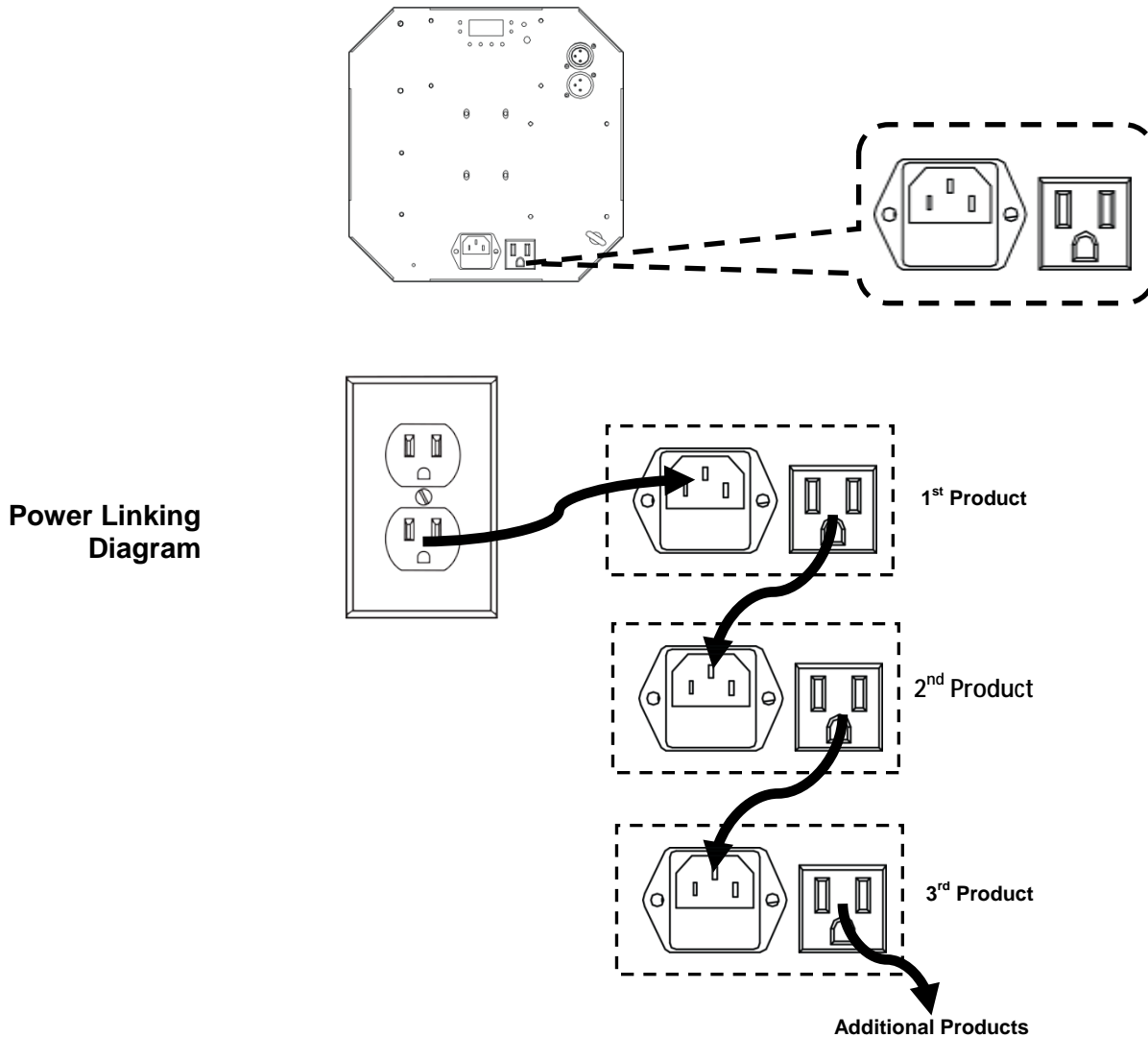
Disconnect the product from power before replacing the fuse.



Power Linking Power linking is when products are daisy chained together through the power in and power out plugs, allowing many products to be powered from one wall outlet.

Up to 15 Swarm™ 5 FX products can be power linked at 120 V, and up to 26 Swarm™ 5 FX products can be power linked at 230 V.

The diagram below illustrates the power linking process.



Power Linking Diagram



Do not power link more than 15 Swarm™ 5 FX on 120 V.
Do not power link more than 26 Swarm™ 5 FX on 230 V.



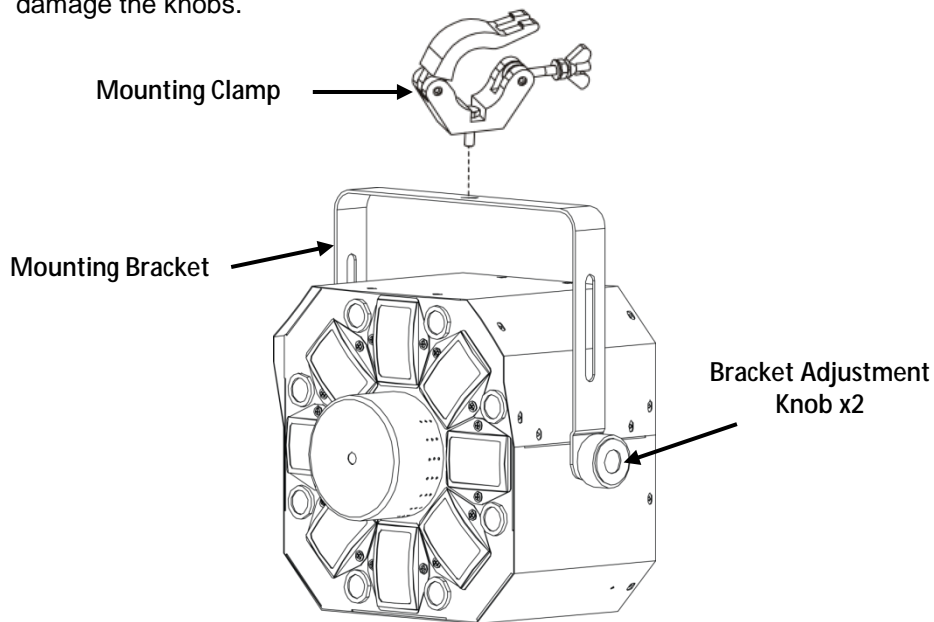
The power linking diagram above shows the North American version of the product only!
Power linking connectors and requirements differ from country to country, and region to region.

If using this product anywhere other than North America, consult with the local Chauvet distributor.

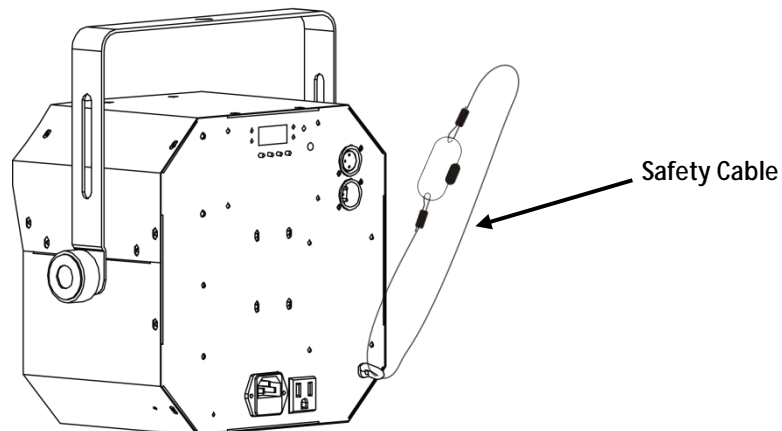
Mounting Before mounting the product, read and follow the safety recommendations indicated in the [Safety Notes](#). Use at least one mounting point per product. Make sure the mounting clamp (such as **CLP-15** from Chauvet) is capable of supporting the weight of the product. For our Chauvet line of mounting clamps, go to www.chauvetlighting.com/cables-clamps-main.html.

Orientation The Swarm™ 5 FX must be mounted in a position that includes planning for safe laser usage. In addition, make sure adequate ventilation is provided around the product.

- Rigging**
- Before deciding on a location for the product, always make sure there is easy access to the product for maintenance and programming.
 - Make sure that the structure or surface onto which you are mounting the product can support the product's weight (see [Technical Specifications](#)).
 - When mounting the product overhead, always use a safety cable (such as **CH-05** from Chauvet). Mount the product securely to a rigging point, such as an elevated platform or a truss.
 - When rigging the product onto a truss, you should use a mounting clamp of appropriate weight capacity. The bracketed has a 13-mm hole, which is appropriate for this purpose.
 - The bracket adjustment knobs allow for directional adjustment when aiming the product to the desired angle. Only loosen or tighten the bracket knobs manually. Using tools could damage the knobs.

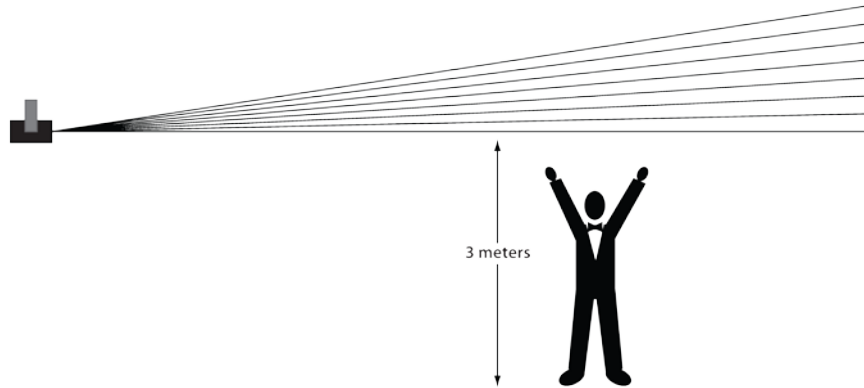


Mounting Diagram



Proper Usage This product is for overhead mounting only. For safety purposes, Chauvet recommends mounting lighting effect products on steady elevated platforms or sturdy overhead supports using suitable hanging clamps. In all cases, use safety cables. Obtain appropriate mounting hardware from your lighting vendor.

International laser safety regulations require that laser products must be operated in the fashion illustrated below, with a minimum of 3 meters (9.8 ft) of vertical separation between the floor and the lowest laser light. Additionally, 3 meters of horizontal separation is required between laser light and audience or other public spaces.



CAUTION! Use of controls, adjustments, or procedures other than **THOSE** specified **IN THIS USER MANUAL** may result in hazardous radiation exposure.

4. OPERATION

This product is not designed for continual use. Make sure there are regular breaks during operation to maximize the life of your laser. Always disconnect the Swarm™ 5 FX from power when not in use.

Control Panel Operation To access the control panel functions, use the four buttons located underneath the display. When the product is on, the LED monitor on the rear panel will show the current operating mode (Standalone or DMX). The product will retain the last saved settings when powered off.

Button	Function
<MENU>	Selects an operation mode or backs out of the current menu option
<UP>	Scrolls up the list of options or selects a higher value
<DOWN>	Scrolls down the list of options or selects a lower value
<ENTER>	Activates a menu option or a selected value

Menu Map

Mode	Programming Steps	Description
DMX Mode	d001—d506	Selects the DMX starting address
Automatic Mode	AUT0—AUT6 S 1—S100	Selects auto program and speed
Sound-Active Mode	SOU0—SOU6	Sound-Active modes
Slave Mode	SLA	Slave mode

Configuration (DMX) Set the product in DMX mode to control with a DMX controller. The product uses 3-pin DMX cable.

1. Connect the product to a suitable power outlet.
2. Connect a DMX cable from the DMX output of the DMX controller to the DMX input socket on the product.

Starting Address When selecting a DMX starting address, always consider the number of DMX channels used by the fixture. If you choose a starting address that is too high, you could restrict the access to some of the product's channels.

The Swarm™ 5 FX uses 9 DMX channels, which means the highest DMX address you can use is **504**.

If you are not familiar with the DMX protocol, download the DMX Primer from http://www.chauvetlighting.com/downloads/DMX_Primer_Rev6_WO.pdf.

To select the starting DMX address, do the following:

1. Press <MENU> repeatedly until **d001—d506** blinks on the display and the DMX light come on.
2. Use <UP> or <DOWN> to select the starting address.
3. Press <ENTER> to put the fixture in DMX mode. The display will continue to blink.



The display will continue to blink until the fixture receives a DMX signal.

DMX Channel Assignments and Values

9-Channel	Channel	Function	Value	Setting			
1		Automatic Programs	000 ó 009	Blackout			
			010 ó 024	Auto program 1			
			025 ó 039	Auto program 2			
			040 ó 054	Auto program 3			
			055 ó 069	Auto program 4			
			070 ó 084	Auto program 5			
			085 ó 099	Auto program 6			
			100 ó 114	Auto program 7			
			115 ó 129	Sound-Active mode 1			
			130 ó 144	Sound-Active mode 2			
			145 ó 159	Sound-Active mode 3			
			160 ó 174	Sound-Active mode 4			
			175 ó 189	Sound-Active mode 5			
			190 ó 204	Sound-Active mode 6			
			205 ó 219	Sound-Active mode 7			
			220 ó 255	DMX mode			
			2		LED Operation	000 ó 009	Blackout
						010 ó 014	Red
						015 ó 019	Green
020 ó 024	Blue						
025 ó 029	Amber						
030 ó 034	White						
035 ó 039	White + Red						
040 ó 044	Red + Green						
045 ó 049	Green + Blue						
050 ó 054	Blue + Amber						
055 ó 059	Amber + White						
060 ó 064	White + Green						
065 ó 069	Green + Amber						
070 ó 074	Amber + Red						
075 ó 079	Red + Blue						
080 ó 084	Blue + White						
085 ó 089	Red + Green + Blue						
090 ó 094	Red + Green + Amber						
095 ó 099	Red + Green + White						
100 ó 104	Red + Amber + Blue						
105 ó 109	Red + White + Blue						
110 ó 114	Red + Amber + White						
115 ó 119	Amber + Green + Blue						
120 ó 124	Blue + Green + White						
125 ó 129	Amber + Green + White						
130 ó 134	Amber + White + Blue						
135 ó 139	Red + Green + Blue + Amber						
140 ó 144	Red + Green + Blue + White						
145 ó 149	Green + Blue + Amber + White						
150 ó 154	Red + Green + Amber + White						
155 ó 159	Red + Blue + Amber + White						
160 ó 164	Red + Green + Blue + Amber + White						
165 ó 209	Automatic (single colors only)						
210 ó 255	Automatic (two colors at a time)						

9-Channel	Channel	Function	Value	Setting
	3	Auto Program Speed (when Channel 2 is between 165–255)	000 ó 255	Automatic speed, slow to fast (colors only)
	4	LED Strobe (when Channel 2 is between 010–255)	000 ó 004 005 ó 254 255	No function Strobe (fast to slow) Sound-Active strobe
	5	White LED	000 ó 009 010 ó 019 020 ó 029 030 ó 039 040 ó 049 050 ó 059 060 ó 069 070 ó 079 080 ó 089 090 ó 099 100 ó 109 110 ó 255	Blackout Auto program 1 (fast to slow) Auto program 2 (fast to slow) Auto program 3 (fast to slow) Auto program 4 (fast to slow) Auto program 5 (fast to slow) Auto program 6 (fast to slow) Auto program 7 (fast to slow) Auto program 8 (fast to slow) Auto program 9 (fast to slow) Auto program 10 (fast to slow) On
	6	Lasers (when channel 7 is between 005–254)	000 ó 009 010 ó 049 050 ó 089 090 ó 129 130 ó 169 170 ó 209 210 ó 255	Blackout Red on Green on Green + Red, alternate strobe Red on + Green strobe Green on + Red strobe Red + Green strobe
	7	Laser Strobe (when Channel 6 is between 010–255)	000 ó 004 005 ó 254 255	No function Strobe (fast to slow) Sound-Active strobe
	8	Motor LED (when Channel 2 is between 010–255)	000 ó 004 005 ó 127 128 ó 133 134 ó 255	Stop Rotate clockwise (slow to fast) Stop Rotate counter-clockwise (slow to fast)
	9	Motor Laser (when Channel 6 is between 010–255)	000 ó 004 005 ó 127 128 ó 133 134 ó 255	Stop Rotate clockwise Stop Rotate counter-clockwise



For manual operation of LEDs and lasers using DMX control, be sure Channel 1 is set to a DMX of 220–255.

Configuration (Standalone) Set the product in one of the Standalone modes to control without a DMX controller.
Connect the product to a suitable power outlet.



Never connect a product that is operating in any Standalone mode (Static, Automatic, or Sound) to a DMX string connected to a DMX controller. Products in Standalone mode may transmit DMX signals that could interfere with the DMX signals from the controller.

Sound-Active Mode To enable the Sound-Active mode, do the following:

1. Press **<MENU>** repeatedly until **SOU0—SOU6** blinks on the display and the Sound light comes on.
2. Use **<UP>** or **<DOWN>** to select the desired Sound-Active mode.
3. Press **<ENTER>** to put the fixture into the selected Sound-Active mode.
4. Turn the music on and adjust the sound sensitivity knob until the product starts responding to the beat of the music.



The product will only respond to low frequencies of music (bass and drums).

The laser will blackout when in Sound-Active mode after 3 seconds of silence or noise below the sensitivity setting.

Automatic Mode To enable the Automatic mode, follow the instructions below:

1. Press **<MENU>** repeatedly until **AUTO—AUT6** blinks on the display and the Auto light comes on.
2. Use **<UP>** or **<DOWN>** to select the desired Automatic mode.
3. Press **<ENTER>**.
4. Use **<UP>** or **<DOWN>** to adjust the Automatic mode speed, **S 1** (fast) to **S100** (slow).
5. Press **<ENTER>** to put the fixture into the selected Automatic mode.

Master/Slave Mode The Master/Slave mode allows a single Swarm™ 5 FX product (the master) to control the actions of one or more Swarm™ 5 FX products (the slaves) without the need of a DMX controller. The master will be set to operate in either Automatic or Sound-Active mode, while the slaves will be set to operate in Slave mode. Once set and connected, the slave units will operate in unison with the master.

Configure the products as indicated below.

For every slave:

1. Press **<MENU>** repeatedly until **SLA** blinks on the display and the Slave light comes on.
2. Press **<ENTER>** to put the fixture in Slave mode. The display will continue to blink.
3. Repeat steps 1 and 2 for every slave.
4. Connect the DMX output of the first slave unit to the DMX input of the next slave unit.
5. Connect the DMX input of each subsequent slave unit to the DMX output of the previous slave unit.



Configure all the slave units before connecting the master to the DMX daisy chain.
The display on the slaves will continue to blink until the slaves are receiving a DMX signal from the master.

For the master:

1. Connect the DMX output of the master to the DMX input of the first slave unit.
2. Set the master unit to operate in either Automatic or Sound-Active mode



Make sure the master is the first unit in the DMX chain.
Never connect a DMX controller to a DMX chain configured for Master/Slave operation because the controller may interfere with the signals from the master.
Do not connect more than 31 slaves to the master.

5. TECHNICAL INFORMATION

Product Maintenance

Dust build-up reduces light output performance and can cause overheating. To maintain optimum performance, clean the product at least twice a month. However, usage and environmental conditions contribute to increasing the cleaning frequency.

To clean the product, follow the instructions below:

1. Unplug the product from power.
2. Wait until the product is at room temperature.
3. Use a vacuum (or dry compressed air) and a soft brush to remove dust collected on the external surfaces and fan vents.
4. Clean the glass panel (laser aperture) with a mild solution of glass cleaner or isopropyl alcohol.
5. Apply the solution directly to a soft, lint-free cotton cloth or a lens cleaning tissue.
6. Softly wipe any dirt or grime to the outside edges of the glass.
7. Gently polish the glass surface until they are free of haze and lint.



Always dry the glass surfaces carefully after cleaning them.

6. TECHNICAL SPECIFICATIONS

Dimensions and Weight	Length	Width	Height	Weight
	9.75 in (248 mm)	11.7 in (298 mm)	12.2 in (310 mm)	9.8 lb (4.5 kg)
Note: Dimensions in inches rounded to the nearest decimal digit.				
Power	Input Voltage	Range	Voltage Selection	
	Switching (internal)	100–240 VAC, 50/60 Hz	Auto-ranging	
	Parameter	120 V, 60 Hz	230 V, 50 Hz	
	Consumption	62 W	66 W	
	Operating current	0.5 A	0.3 A	
	Power linking current (units)	8 A (15 units)	8 A (26 units)	
	Fuse	T 1.6 A, 250 V	T 1.6 A, 250 V	
	Power I/O	US/Worldwide	UK/Europe	
	Power input connector	IEC	IEC	
	Power output connector	Edison	IEC	
	Power cord plug	Edison (US)	Local plug	
Light Source				
Laser	Type	Power	Wavelength	
	Laser (green)	50 mW	532 nm	
	Laser (red)	100 mW	650 nm	
LED	Type	Power	Lifespan	
	LED	3 W	50,000 hours	
	Color	Quantity	Current	
	Red	1	300 mA	
	Green	1	300 mA	
	Blue	1	300 mA	
	Amber	1	300 mA	
White	1	300 mA		
Strobe	Type	Power	Lifespan	
	LED	1 W	50,000 hours	
	Color	Quantity	Current	
	White	8	300 mA	
Photometrics	Parameter			
	Coverage angle (laser)	100°		
	Coverage angle (LED)	65°		
	Field angle (strobe)	35°		
	Beam angle (strobe)	17°		
	Strobe rate	0–20 Hz		
Illuminance @ 2 m (strobe)	823 lux			
Thermal	Laser Maximum External Temp	Cooling System		
	95 °F (35 °C)	Convection		
DMX	I/O Connectors	Connector Type	Channel Range	
	3-pin XLR	Sockets	9	
Ordering	Product Name	Item Code	UPC Code	
	Swarm™ 5 FX	10050765	781462211134	



RETURNS

In case you need to get support or return a product:

- If you are located in the U.S., contact Chauvet World Headquarters (see [Contact Us](#)).
- If you are located in the UK or Ireland, contact Chauvet Europe Ltd. (see [Contact Us](#)).
- If you are located in Mexico, contact Chauvet Mexico (see [Contact Us](#)).
- If you are located in Benelux, contact Chauvet Europe BVBA (see [Contact Us](#)).
- If you are located in any other country, DO NOT contact Chauvet. Instead, contact your local distributor. See www.chauvetlighting.com for distributors outside the U.S., UK, Ireland, Mexico, or Benelux.



If you are located outside the U.S., UK, Ireland, Mexico, or Benelux, contact your distributor of record and follow their instructions on how to return CHAUVET® products to them. Visit our website www.chauvetlighting.com for contact details.

Call the corresponding Chauvet Technical Support office and request a Return Merchandise Authorization (RMA) number before shipping the product. Be prepared to provide the model number, serial number, and a brief description of the cause for the return.

Send the merchandise prepaid, in its original box, and with its original packing and accessories. Chauvet will not issue call tags.

Clearly label the package with the RMA number. Chauvet will refuse any product returned without an RMA number.



Write the RMA number on a properly affixed label. DO NOT write the RMA number directly on the box.

Before sending the product, clearly write the following information on a piece of paper and place it inside the box:

- Your name
- Your address
- Your phone number
- RMA number
- A brief description of the problem

Be sure to pack the product properly. Any shipping damage resulting from inadequate packaging will be your responsibility. FedEx packing or double-boxing are recommended.



Chauvet reserves the right to use its own discretion to repair or replace returned product(s).

CONTACT Us

WORLD HEADQUARTERS - Chauvet

General Information

Address: 5200 NW 108th Avenue
Sunrise, FL 33351
Voice: (954) 577-4455
Fax: (954) 929-5560
Toll free: (800) 762-1084

Technical Support

Voice: (954) 577-4455 (Press 4)
Fax: (954) 756-8015
Email: tech@chauvetlighting.com

World Wide Web www.chauvetlighting.com

UNITED KINGDOM AND IRELAND - Chauvet Europe Ltd.

General Information

Address: Unit 1C
Brookhill Road Industrial Estate
Pinxton, Nottingham, UK
NG16 6NT
Voice: +44 (0)1773 511115
Fax: +44 (0)1773 511110

Technical Support

Email: uktech@chauvetlighting.com

World Wide Web www.chauvetlighting.co.uk

MEXICO - Chauvet Mexico

General Information

Address: Av. Santa Ana 30
Parque Industrial Lerma
Lerma, Mexico C.P. 52000
Voice: +52 (728) 285-5000

Technical Support

Email: servicio@chauvet.com.mx

World Wide Web www.chauvet.com.mx

CHAUVET EUROPE - Chauvet Europe BVBA

General Information

Address: Stokstraat 18
9770 Kruishoutem
Belgium
Voice: +32 9 388 93 97

Technical Support

Email: Eutech@chauvetlighting.eu

World Wide Web www.chauvetlighting.eu

Outside the U.S., United Kingdom, Ireland, Mexico, or Benelux, contact your dealer. Follow their instructions to request support or to return a product. Visit our website for contact details.

1. ANTES DE EMPEZAR

- Qué Va Incluido**
- Swarm™ 5 FX
 - Cable de alimentación externa
 - Tarjeta de Garantía
 - Manual de Usuario

Instrucciones de Desembalaje Desembale el producto con cuidado inmediatamente y compruebe la caja para asegurarse de que todas las piezas están en el paquete y en buen estado.




Reclamaciones Si la caja o el contenido (el producto y los accesorios incluidos) parecen dañados a causa del transporte o muestran signos de manipulación inadecuada, notifíquesele inmediatamente al transportista, y no a Chauvet. Si no lo hace oportunamente, puede quedar invalidada su reclamación al transportista. Además, guarde la caja y todo el material de embalaje para su inspección.

Para otras incidencias, como componentes o piezas que falten, daños no relacionados con el transporte o daños no evidentes, presente una reclamación a Chauvet en el plazo de 7 días de la entrega.

Convenciones del Manual

Convención	Significado
1—512	Un rango de valores
50/60	Un conjunto de valores de los cuales solo se puede escoger uno
Settings	Una opción de menú que no se puede modificar
Menu > Settings	Una secuencia de opciones de menú que ha de seguirse
<ENTER>	Una tecla que se tiene que pulsar en el panel de control del producto
ON	Un valor que se tiene que introducir o seleccionar

Símbolos

Símbolo	Significado
	Instalación, configuración o información sobre funcionamiento crítica. Hacer caso omiso de esta información puede hacer que el producto no funcione, que se averíe, o causar daños al usuario.
	Instalación o información de configuración importante. El producto puede no funcionar correctamente si esta información no se usa.
	Información útil.

Exención de Responsabilidad

La información y especificaciones contenidas en este documento están sujetas a cambio sin previo aviso. Chauvet no asume responsabilidad de ningún tipo por cualquier error u omisión que pueda aparecer en este manual, y se reserva el derecho a revisar o rehacer este manual en cualquier momento. Descargue la última versión de www.chauvetlighting.com.

© Copyright 2015 Chauvet. Todos los derechos reservados.

Impreso en la R. P. China.

Publicación en formato electrónico por Chauvet en EE.UU.

Autor	Fecha	Editor	Fecha
M. Trouard	06/04/2015	A. Leon	06/04/2015

Notas de Seguridad

Las Notas de seguridad incluyen información importante sobre seguridad del sistema láser. Lea y comprenda todas las instrucciones antes de encender el láser por primera vez. Conocer las instrucciones de seguridad es crucial para evitar lesiones oculares y para no infringir la ley. Mantenga este Manual de Usuario en un lugar seguro para futuras consultas.



DETÉNGASE Y LEA TODOS LOS DATOS DE SEGURIDAD



- Los láseres pueden ser peligrosos y tienen consideraciones de seguridad particulares. Puede producirse lesión ocular permanente y ceguera si los láseres se usan incorrectamente. Ponga máxima atención a todos los COMENTARIOS y ADVERTENCIAS de seguridad de este manual de usuario. Lea atentamente todas las instrucciones ANTES de poner en funcionamiento este dispositivo.
- Conecte siempre el producto a un circuito con toma de tierra para evitar el riesgo de electrocución.
- Desconecte siempre el producto de la alimentación antes de limpiarlo.
- Evite la exposición directa de los ojos a la fuente de luz mientras el producto esté encendido.
- Asegúrese de que el cable de alimentación no está retorcido ni estropeado.
- Nunca desconecte este producto de la alimentación agarrando o tirando del cable.
- Si monta el producto en alto, asegure siempre a un dispositivo de seguridad usando cable de seguridad.
- Asegúrese de que no hay materiales inflamables cerca del producto cuando esté en funcionamiento.
- No toque la carcasa del producto cuando esté en funcionamiento, porque podría estar muy caliente.



- Este producto no está concebido para una instalación permanente.
- Asegúrese siempre de que la tensión del enchufe al que conecte el producto está en el rango establecido en el grabado o en el panel posterior del producto.
- ¡El producto es para uso en interiores solamente! (IP20) Para evitar riesgos de incendio o descarga, no exponga el producto a la lluvia o la humedad.
- Instale siempre el producto en una ubicación con ventilación adecuada, al menos a 20" (50 cm) de superficies adyacentes.
- Asegúrese de que ninguna ranura de ventilación en la carcasa del producto queda bloqueada.
- Nunca conecte el producto a un atenuador.
- Use siempre el soporte de montaje para trasladar el producto.
- No Apague/Encienda el producto a intervalos cortos. Esto acortará la vida del diodo láser.
- NO sacuda este producto. Evite usar la fuerza bruta cuando monte o maneje el producto.
- Use SIEMPRE un cable de seguridad cuando monte este producto en lo alto.
- La temperatura ambiente operativa para el láser es de 59 °F a 95 °F (15 °C a 35 °C). No haga funcionar este producto fuera de este rango.
- En caso de un problema grave de funcionamiento, deje de usar el producto inmediatamente.
- Nunca intente reparar el producto. Las reparaciones llevadas a cabo por personal no cualificado pueden provocar averías o funcionamiento defectuoso. Póngase en contacto con el centro de asistencia técnica autorizado más cercano.
- Para evitar un desgaste innecesario y alargar su vida útil, desconecte complemente el producto de la alimentación, mediante el interruptor o desenchufándolo, durante los periodos en los que no se use.



- Evite el contacto directo de los ojos con la luz del láser. Nunca exponga intencionadamente sus ojos o los de otras personas a la luz directa del láser.
- Este producto láser puede causar lesiones oculares al instante, o ceguera, si la luz del láser incide directamente en los ojos.
- Es ilegal y peligroso alumbrar con este láser zonas de espectadores en las que el público u otro personal pueda recibir rayos láser o reflejos de su brillo directamente en los ojos.
- En los EEUU es un delito federal dirigir cualquier láser hacia un avión.
- El uso de controles, ajustes o procedimientos distintos a los especificados en este manual de usuario pueden causar exposición peligrosa a la radiación.
- NO intente ninguna reparación. Las reparaciones y la asistencia deben ser llevadas a cabo por un técnico autorizado. ¡Las modificaciones no autorizadas están prohibidas por motivos de seguridad!



- Guarde este Manual de Usuario para futuras consultas. Si este producto pasa a ser propiedad de otro usuario, asegúrese de que este documento acompaña al láser.

Advertencia sobre Carcasa no Cerrada

Esta unidad contiene internamente dispositivos láser de alta potencia.

No abra la carcasa del láser, debido a la potencial exposición a niveles no seguros de radiación láser.

Los niveles de láser a los que se tiene acceso si se abre la unidad pueden causar ceguera instantánea, quemaduras en la piel e incendios.

Notas de Seguridad sobre Láser




DETÉNGASE Y LEA TODAS LAS NOTAS DE SEGURIDAD SOBRE EL LÁSER SIGUIENTES



La luz láser es diferente de cualquier otra luz. La luz láser puede causar lesiones oculares si el producto no se instala y usa adecuadamente. La luz láser es miles de veces más concentrada que cualquier otro tipo de luz. Esta concentración puede causar lesiones instantáneas en el ojo por quemadura de la retina (la zona sensible a la luz en la parte posterior del ojo). El calor de una luz láser podría no sentirse y aun así puede quemar o dejar ciegos a los operadores del producto o al público. Incluso cantidades muy pequeñas de luz láser, y a larga distancia, son potencialmente peligrosas.

NO asuma que la exposición a un haz individual de luz láser es segura, incluso si se trata de un haz muy pequeño dividido de un haz más grande. Este producto de láser utiliza docenas de milivatios de potencia láser —niveles Clase 3B internamente— y se divide en múltiples haces —niveles Clase 3R. Los haces individuales de Clase 3R son potencialmente peligrosos para los ojos.

NO asuma que una luz láser en movimiento es segura. La luz láser nunca está exenta de riesgo. Puesto que las lesiones oculares pueden producirse instantáneamente, es crítico prevenir la posibilidad de CUALQUIER exposición directa al ojo. Según las regulaciones de seguridad láser, no es legal dirigir láseres de Clase 3R a zonas en las que pueda quedar gente expuesta, incluso si el láser apunta por debajo de las caras de las personas, como a una pista de baile.




-
- No ponga en funcionamiento el láser sin primero leer y comprender todos los datos técnicos y de seguridad de este manual.
 - **Ubique e instale todos los efectos láser SIEMPRE de forma que toda la luz láser esté al menos a 3m (9,8 pies) sobre el nivel del suelo en el que se encuentra la gente. Vea la sección [Uso Adecuado](#) de este manual.**
 - Después de la instalación, y antes de su uso público, pruebe los láseres para asegurarse de que funcionan adecuadamente. No use el producto si detecta cualquier defecto.
 - **NO use el láser si este emite solo uno o dos haces en lugar de docenas/cientos, pues esto indica una avería en la óptica de la rejilla de difracción, y permite la emisión de niveles de láser por encima de la Clase 3R.**
 - **NO apunte con láser a personas o animales.**
 - **NO mire a la apertura del láser o a los haces de láser.**
 - **NO apunte con láser en zonas en la que la gente pueda quedar expuesta.**
 - **NO apunte con láseres a superficies muy reflectantes como ventanas, espejos y metal pulido. Incluso los reflejos del láser pueden ser peligrosos.**
- 
- Nunca apunte con el láser a un avión, pues constituye delito según las leyes de EE.UU.
 - Nunca apunte hacia el cielo con haces láser sueltos.
 - No exponga la óptica de salida (apertura) a productos de limpieza químicos agresivos.
 - No use el láser si la carcasa está averiada o abierta, o si la óptica parece dañada de cualquier modo.
 - Nunca abra la carcasa del láser. Los altos niveles de potencia láser dentro de la carcasa protectora pueden originar incendios o quemaduras en la piel y causar lesiones oculares al instante.
 - Nunca deje este producto en funcionamiento sin vigilancia.
 - El funcionamiento de un láser de espectáculo de Clase 3R se permite solo si el espectáculo es controlado por un profesional experimentado y bien formado, familiarizado con los datos contenidos en este manual.
 - Los requisitos legales para usar productos de láser recreativo varían de un país a otro. El usuario es responsable de los requisitos legales del lugar/país en que lo utilice.

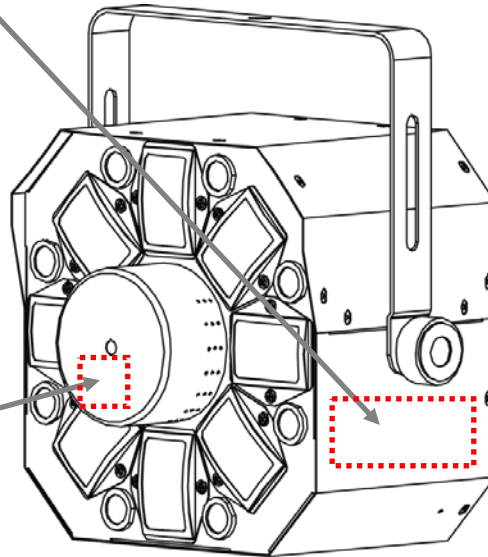


¡CUIDADO! NO ponga en funcionamiento este dispositivo en formas no especificadas en este manual de usuario. No seguir las instrucciones invalidará la garantía, podría dañar el producto o lesionar al usuario o al público.

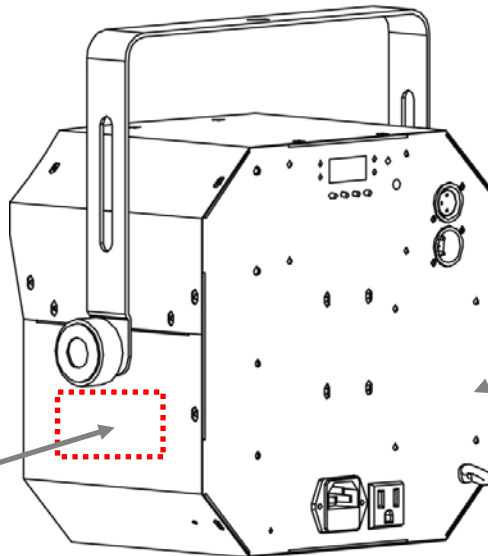
¡CUIDADO! Este producto no se puede tirar con la basura doméstica. Póngase en contacto con el servicio de recogida para la eliminación de aparatos electrónicos de su zona.

Reproducción de la Etiqueta de Seguridad del Láser

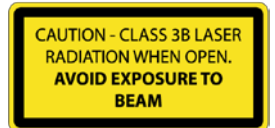
 <p>LASER LIGHT AVOID DIRECT EYE EXPOSURE CLASS 3R LASER PRODUCT 50 mW, 532 nm / 100 mW, 650 nm Classified per EN/IEC 60825-1:2007</p>	
<p>CHAUVET WORLDWIDE HEADQUARTERS SUNRISE, FLORIDA USA</p>	
<p>CHAUVET <i>Value - Innovation - Performance</i></p>	
<p>RoHS </p>	
<p>CE </p>	
<p>MODEL: Swarm™ 5 FX ITEM CODE: 10050765 FUSE: T 1.6 A, 250V MAX. OUTPUT CURRENT: 8 A (15 units @ 120V) (26 units @ 230V) LIGHT SOURCE: LED LASER ORIGIN: MADE IN P.R.C.</p>	<p>THIS APPLIANCE MUST BE GROUNDED USE ONLY FUSE OF SAME TYPE & RATING NOT FOR HOUSEHOLD USE IMPROPRE AL USAGE DOMESTIQUE DRY LOCATIONS ENPLACEMENTS SECS DISCONNECT POWER BEFORE SERVICING</p>
<p>USA/CANADA Power: AC 100–125 V, 60 Hz 0.5 A, 62 W</p>	<p>WORLDWIDE Power: AC 100–240 V, 50 Hz 0.3 A, 66 W</p>



Anterior



Posterior



Advertencia sobre Exposición al Láser



LUZ LÁSER EVITE LA EXPOSICIÓN DIRECTA AL OJO

Se pueden encontrar más directrices y programas de seguridad para el uso seguro de láseres en la Normativa ANSI Z136.1 "Para uso seguro de Láseres", disponible en el Laser Institute of America: www.laserinstitute.org. Muchos gobiernos locales, corporaciones, agencias, ejército y otros requieren que todos los láseres se usen bajo las directrices de ANSI Z136.1. La guía Laser Display puede obtenerse de la International Laser Display Association: www.laserist.org.

Datos de Emisión Láser

Según se midió bajo condiciones de medición IEC para clasificación.

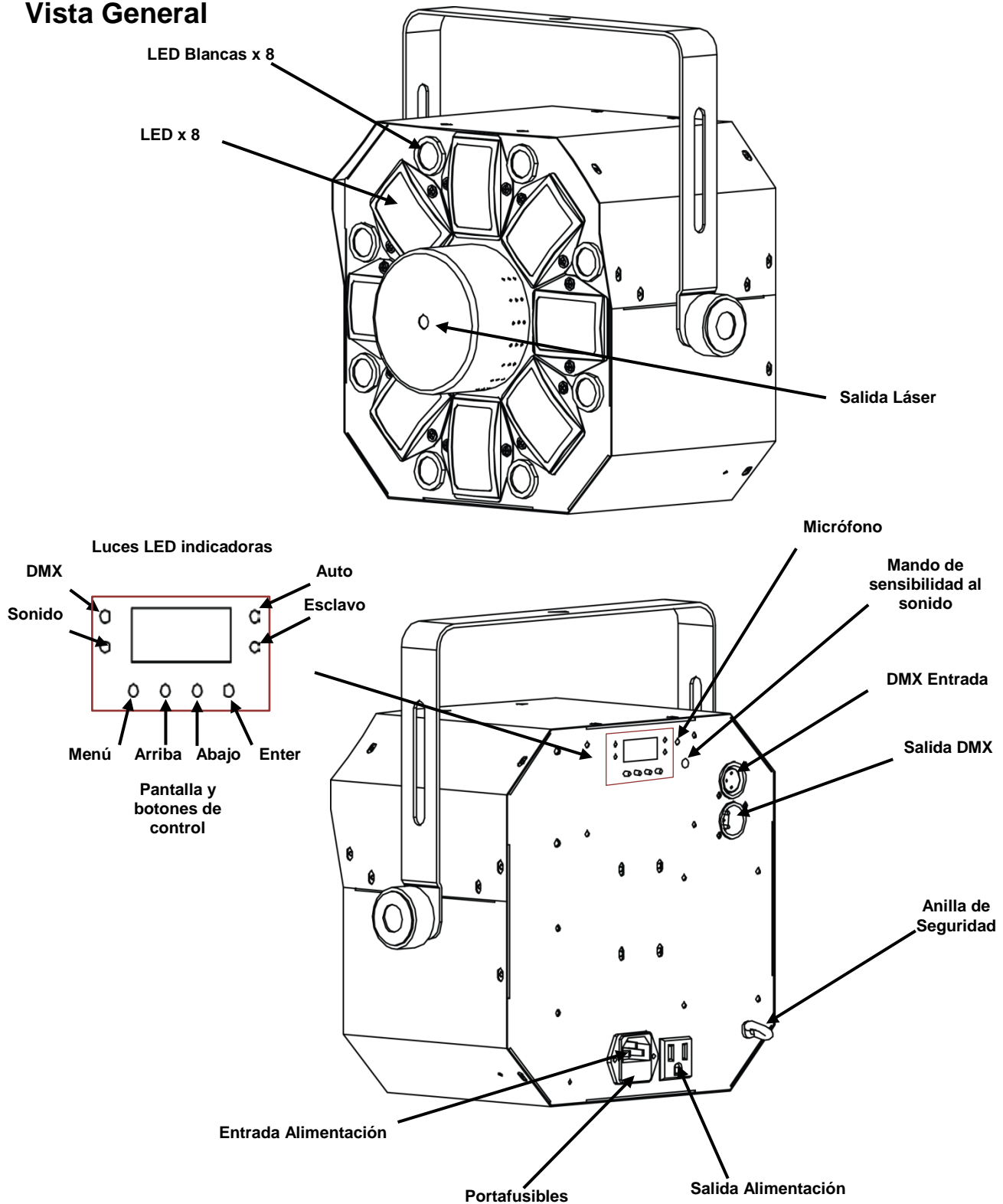
Clasificación láser	Clase 3R
Láser Verde Medio	DPSS Nd:YVO4, 532 nm/50 mW
Láser Rojo Medio	LD GaAIAs, 650 nm
Diámetro del haz	<5 mm en la apertura
Datos de pulso	Todos los pulsos < 4 Hz (>0,25 s)
Divergencia (cada haz)	<2 mrad
Divergencia (luz total)	<160 grados
Potencia láser de cada haz desde la apertura*	5 mW

Declaración de Conformidad Láser

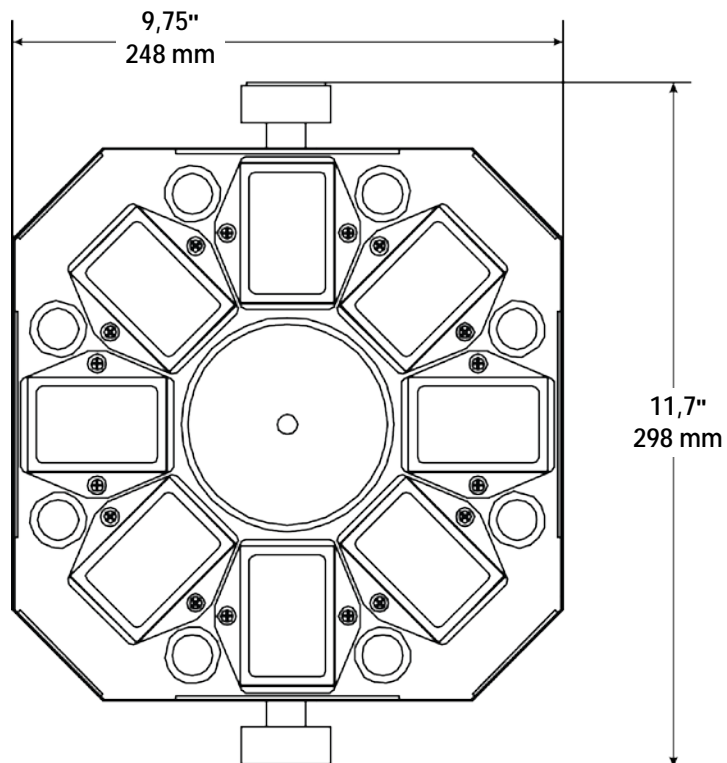
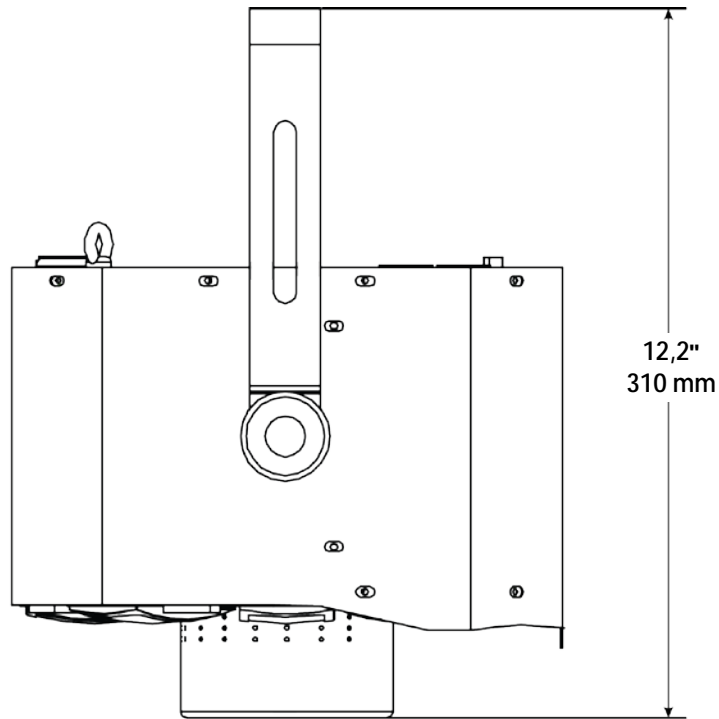
Este producto láser cumple las directivas EN/IEC 60825-1 Ed 2, 2007-03, y U.S. FDA/CDRH FLPPS mediante las condiciones de Laser Notice No. 50 de fecha 24 de junio de 2007. Este dispositivo láser está clasificado como 3R. (La Clase 3R es el equivalente internacional a la Clase IIIa de EEUU). No es necesario ningún mantenimiento para que este producto siga cumpliendo los estándares de rendimiento láser.

2. INTRODUCCIÓN

Vista General



Dimensiones



3. INSTALACIÓN

Corriente Alterna El Swarm™ 5 FX tiene una fuente de alimentación con detección automática que puede funcionar con un rango de tensión de entrada de 100 a 240 VCA, 50/60 Hz.

Para determinar los requerimientos de alimentación (disyuntor, toma de alimentación y cableado), use el valor de tensión que aparece en la etiqueta fijada en el panel trasero del producto o consulte estas [Especificaciones Técnicas](#). La especificación de corriente listada indica el consumo de corriente promedio en condiciones normales.



- **Conecte siempre el producto a un circuito protegido (disyuntor o fusible). Asegúrese de que el producto tiene una toma de tierra adecuada para evitar el riesgo de electrocución o incendio.**
- **Para evitar un desgaste innecesario y alargar su vida útil, desconecte completamente el producto de la alimentación, mediante el interruptor o desenchufándolo, durante los periodos en los que no se use.**



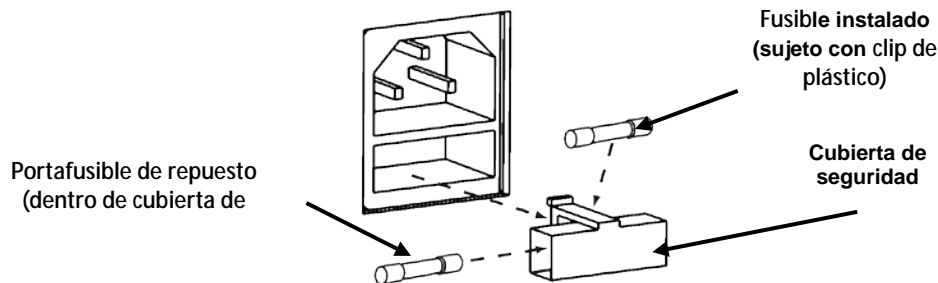
Nunca conecte el producto a un reostato (resistor variable) o circuito de atenuación, incluso si el canal del reostato o atenuador sirve solo como conmutador 0 a 100%.

Sustitución del Fusible

1. Desconecte el producto de la alimentación.
2. Haga cuña con la punta de un destornillador plano en la ranura del portafusibles.
3. Saque el portafusibles de la carcasa.
4. Quite el fusible fundido del soporte.
5. Sustitúyalo con un fusible del mismo tipo y categoría exactamente.
6. Vuelva a colocar el portafusibles en su sitio y conecte de nuevo la alimentación.



Desconecte el producto de la alimentación antes de sustituir el fusible.



Alimentación en Cadena

Alimentación en cadena es cuando los productos se conectan en cadena por las tomas de entrada y salida de alimentación, permitiendo la alimentación de muchos productos con un solo enchufe.

Se pueden alimentar en cadena hasta 15 productos Swarm™ 5 FX a 120 V, y hasta 26 productos Swarm™ 5 FX se pueden alimentar en cadena a 230 V.

El diagrama inferior muestra el proceso de alimentación en cadena.

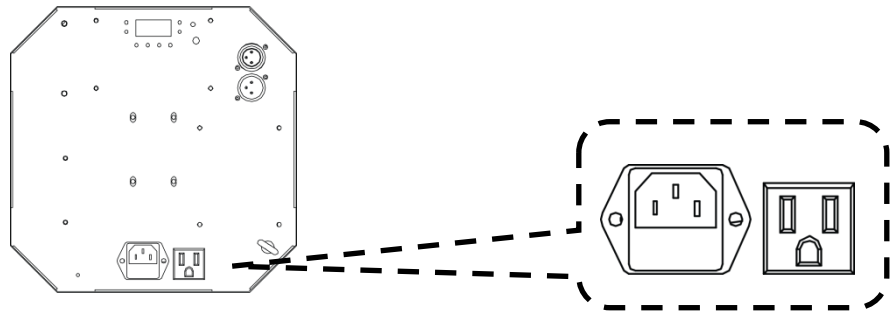
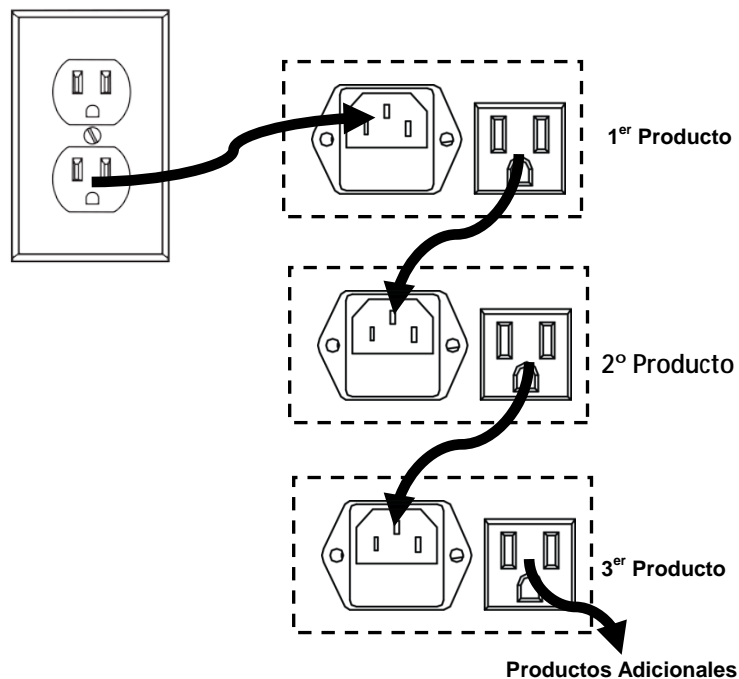


Diagrama de Alimentación en Cadena



No alimente en cadena más de 15 Swarm™ 5 FX a 120 V.

No alimente en cadena más de 26 Swarm™ 5 FX a 230 V.

¡El diagrama de alimentación de cadena de arriba muestra solamente la versión del producto de América del Norte!



Los requisitos y conectores de alimentación en cadena difieren de un país a otro y de una región a otra.

Si usa este producto en un lugar distinto de América del Norte, consulte con el distribuidor local de Chauvet.

Montaje Antes de montar el producto, lea y siga las recomendaciones de seguridad indicadas en las [Notas de Seguridad](#). Utilice por lo menos un punto de montaje por producto. Asegúrese de que abrazadera de montaje (como **CLP-15** de Chauvet) es capaz de soportar el peso del producto. Para nuestra línea Chauvet de abrazaderas de montaje, visite www.chauvetlighting.com/cables-clamps-main.html.

Orientación El Swarm™ 5 FX se debe montar en un posición preparada para uso seguro de láser. Además, asegúrese de proporcionar una ventilación adecuada alrededor del producto.

Colocación Antes de decidir una ubicación para el producto, asegúrese siempre de que hay fácil acceso al producto para su mantenimiento y programación.

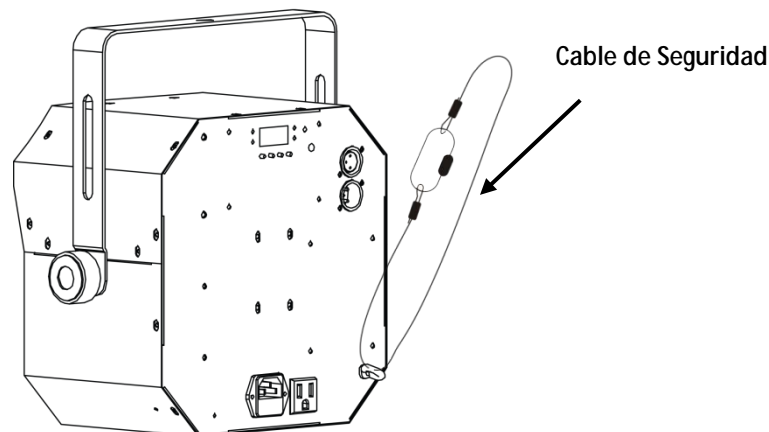
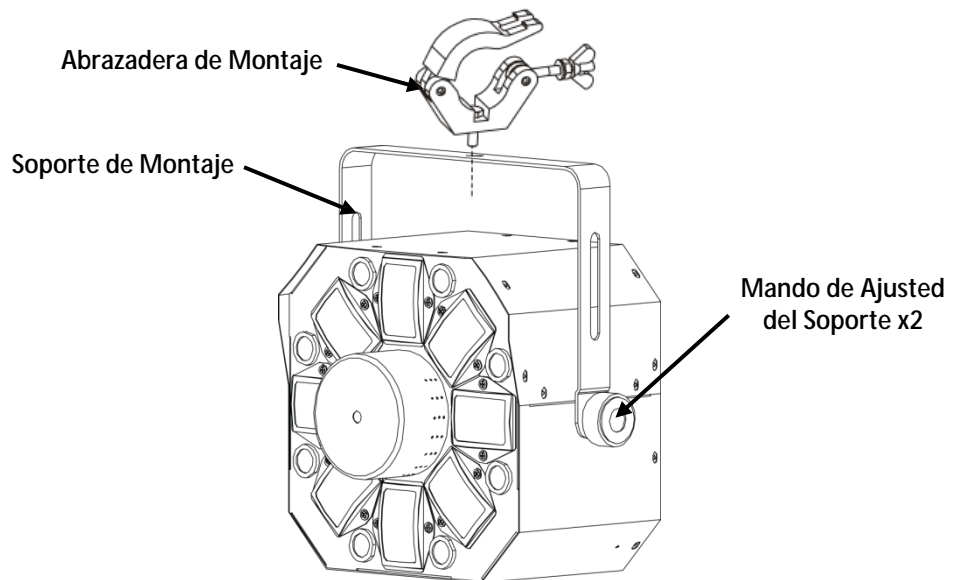
Asegúrese de que la estructura o superficie sobre la que está montando el producto puede soportar su peso (vea las [Especificaciones Técnicas](#)).

Cuando monte este producto en alto, use siempre un cable de seguridad (como **CH-05** de Chauvet). Monte el producto con seguridad a un punto de anclaje, como una plataforma elevada o un truss.

Cuando cuelgue el producto de un truss, debe usar una abrazadera de montaje con la resistencia al peso adecuada. El soporte tiene un agujero de 13 mm, que es adecuado para este propósito.

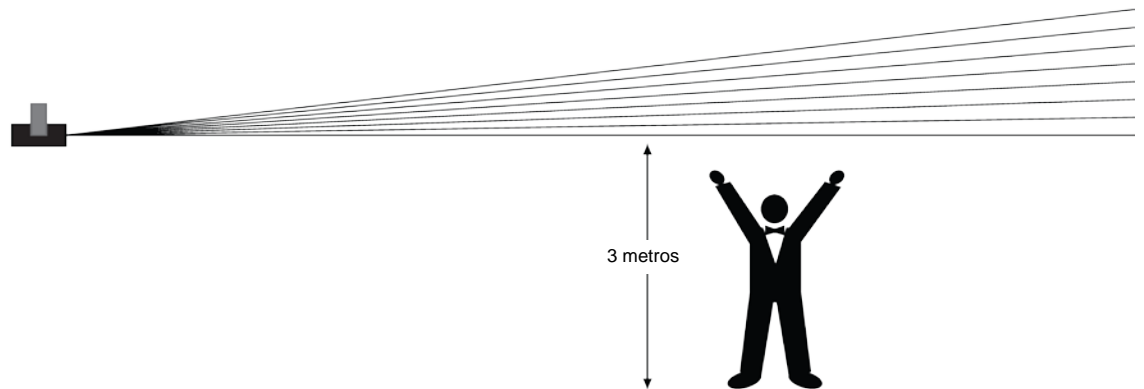
Los mandos de ajuste del soporte permiten el ajuste direccional para dirigir el producto hacia el ángulo deseado. Apriete y afloje los mandos de soporte únicamente con la mano. Usar herramientas podría estropear los mandos.

Diagrama de Montaje



Uso Adecuado Este producto es para montaje en alto solamente. Por seguridad, Chauvet recomienda montar los productos de efectos de iluminación sobre plataformas estables y elevadas, o en soportes en alto sólidos utilizando abrazaderas apropiadas para colgar. En todos los casos, utilice cables de seguridad. Obtenga el material de fijación apropiado de su proveedor de iluminación.

Las disposiciones internacionales de seguridad láser precisan que los productos de láser se manejen de la forma mostrada a continuación, con una separación vertical mínima de 3 metros (9,8 pies) entre el suelo y la luz láser más baja. Además, se requiere una separación horizontal de 3 metros entre la luz láser y los espectadores u otros espacios públicos.



¡CUIDADO! El uso de controles, ajustes o procedimientos distintos a los que se especifican EN ESTE MANUAL DE USUARIO pueden causar exposición peligrosa a la radiación.

4. FUNCIONAMIENTO

Este producto no está diseñado para un uso continuo. Asegúrese de que hace descansos regulares durante su funcionamiento para maximizar la vida de su láser. Desconecte siempre el Swarm™ FX de la alimentación cuando no lo use.

Manejo del Panel de Control Para acceder a las funciones del panel de control, use los cuatro botones ubicados bajo la pantalla. Cuando el producto esté encendido, el monitor LED de la parte posterior mostrará el modo de funcionamiento actual (independiente o DMX). El producto mantendrá la configuración guardada cuando se apagó la última vez.

Botón	Función
<FUNC>	Selecciona un modo de funcionamiento o regresa a la opción de menú actual
<UP>	Se desplaza hacia arriba por la lista de opciones o selecciona un valor más alto
<DOWN>	Se desplaza hacia abajo por la lista de opciones o selecciona un valor inferior
<ENTER>	Activa una opción de menú o valor seleccionado

Mapa de Menú

Modo	Pasos de Programación		Descripción
Modo DMX	d001—d506		Selecciona la dirección de inicio DMX
Modo Automático	AUT0—AUT6	S 1—S100	Selecciona el programa automático y la velocidad
Modo Activo por Sonido	SOU0—SOU6		Modos Activo por sonido
Modo Esclavo	SLA		Modo Esclavo

Configuración (DMX) Configure el producto en modo DMX para controlarlo con un controlador DMX. El producto usa un cable DMX de 3 pines.

1. Conecte el producto a una toma de corriente adecuada.
2. Conecte un cable DMX de la salida DMX del controlador DMX al conector de entrada DMX del producto.

Dirección de Inicio Cuando seleccione una dirección DMX de inicio, tenga en cuenta siempre el número de canales DMX que usa el dispositivo. Si escoge una dirección de inicio que es demasiado alta, podría estar restringiendo el acceso a alguno de los canales del producto.

El Swarm™ 5 FX usa 9 canales DMX, lo que significa que la dirección DMX más alta que puede emplear es **504**.

Si no está familiarizado con el protocolo DMX, descargue el Manual DMX de http://www.chauvetlighting.com/downloads/DMX_Primer_Rev6_WO.pdf.

Para seleccionar la dirección DMX de inicio, haga lo siguiente:

1. Pulse <MENU> repetidamente hasta que **d001—d506** parpadee en la pantalla y se encienda la luz DMX.
2. Utilice <UP> o <DOWN> para seleccionar la dirección de inicio.
3. Pulse <ENTER> para poner el dispositivo en modo DMX. La pantalla continuará parpadeando.



La pantalla continuará parpadeando hasta que el dispositivo reciba una señal DMX.

Modos de Canal, Asignaciones y Valores DMX

9 Canales	Canal	Función	Valor	Configuración			
1		Programas Automáticos	000 ó 009	Blackout			
			010 ó 024	Programa Automático 1			
			025 ó 039	Programa Automático 2			
			040 ó 054	Programa Automático 3			
			055 ó 069	Programa Automático 4			
			070 ó 084	Programa Automático 5			
			085 ó 099	Programa Automático 6			
			100 ó 114	Programa Automático 7			
			115 ó 129	Modo Activo por Sonido 1			
			130 ó 144	Modo Activo por Sonido 2			
			145 ó 159	Modo Activo por Sonido 3			
			160 ó 174	Modo Activo por Sonido 4			
			175 ó 189	Modo Activo por Sonido 5			
			190 ó 204	Modo Activo por Sonido 6			
			205 ó 219	Modo Activo por Sonido 7			
			220 ó 255	Modo DMX			
			2		Funcionamiento LED	000 ó 009	Blackout
						010 ó 014	Rojo
						015 ó 019	Verde
020 ó 024	Azul						
025 ó 029	Ámbar						
030 ó 034	Blanco						
035 ó 039	Blanco + Rojo						
040 ó 044	Rojo + Verde						
045 ó 049	Verde + Azul						
050 ó 054	Azul + Ámbar						
055 ó 059	Ámbar + Blanco						
060 ó 064	Blanco + Verde						
065 ó 069	Verde + Ámbar						
070 ó 074	Ámbar + Rojo						
075 ó 079	Rojo + Azul						
080 ó 084	Azul + Blanco						
085 ó 089	Rojo + Verde + Azul						
090 ó 094	Rojo + Verde + Ámbar						
095 ó 099	Rojo + Verde + Blanco						
100 ó 104	Rojo + Ámbar + Azul						
105 ó 109	Rojo + Blanco + Azul						
110 ó 114	Rojo + Ámbar + Blanco						
115 ó 119	Ámbar + Verde + Azul						
120 ó 124	Azul + Verde + Blanco						
125 ó 129	Ámbar + Verde + Blanco						
130 ó 134	Ámbar + Blanco + Azul						
135 ó 139	Rojo + Verde + Azul + Ámbar						
140 ó 144	Rojo + Verde + Azul + Blanco						
145 ó 149	Verde + Azul + Ámbar + Blanco						
150 ó 154	Rojo + Verde + Ámbar + Blanco						
155 ó 159	Rojo + Azul + Ámbar + Blanco						
160 ó 164	Rojo + Verde + Azul + Ámbar + Blanco						
165 ó 209	Automático (solo colores simples)						
210 ó 255	Automático (dos colores a la vez)						

9 Canales (Cont.)

Canal	Función	Valor	Configuración
3	Velocidad del Programa Automático (cuando el Canal 2 está entre 165–255)	000 ó 255	Velocidad automática, lento a rápido (solo colores)
4	Estroboscopio LED (cuando el Canal 2 está entre 010–255)	000 ó 004 005 ó 254 255	Sin función Estroboscopio (lento a rápido) Estroboscopio Activo por Sonido
5	LED Blanco	000 ó 009 010 ó 019 020 ó 029 030 ó 039 040 ó 049 050 ó 059 060 ó 069 070 ó 079 080 ó 089 090 ó 099 100 ó 109 110 ó 255	Blackout Programa automático 1 (rápido a lento) Programa automático 2 (rápido a lento) Programa automático 3 (rápido a lento) Programa automático 4 (rápido a lento) Programa automático 5 (rápido a lento) Programa automático 6 (rápido a lento) Programa automático 7 (rápido a lento) Programa automático 8 (rápido a lento) Programa automático 9 (rápido a lento) Programa automático 10 (rápido a lento) Encendido
6	Láseres	000 ó 009 010 ó 049 050 ó 089 090 ó 129 130 ó 169 170 ó 209 210 ó 255	Blackout Rojo encendido Verde encendido Verde + Rojo, estroboscopio alterno Rojo encendido + Estroboscopio verde Verde encendido + Estroboscopio rojo Estroboscopio Rojo + Verde
7	Estroboscopio Láser (cuando el Canal 6 está entre 010–255)	000 ó 004 005 ó 254 255	Sin función Estroboscopio (rápido a lento) Estroboscopio Activo por Sonido
8	Motor LED (cuando el Canal 2 está entre 010–255)	000 ó 004 005 ó 127 128 ó 133 134 ó 255	Parada Giro en sentido de las agujas del reloj (lento a rápido) Parada Giro en sentido antihorario (lento a rápido)
9	Motor Láser (cuando el Canal 6 está entre 010–255)	000 ó 004 005 ó 127 128 ó 133 134 ó 255	Parada Rotar sentido horario Parada Rotar sentido antihorario



Para la operación manual de LEDs y Láseres usando el control DMX, asegúrese de que el Canal 1 está configurado en modo DMX (220–255).

Configuración Independiente

Configure el producto en uno de los modos independientes para controlarlo sin controlador DMX. Conecte el producto a una toma de corriente adecuada.



Nunca conecte un producto que está funcionando en cualquier modo independiente (Estático, Automático o Activo por sonido) a una línea DMX conectada a un controlador DMX. Los productos en modo independiente pueden transmitir señales DMX que podrían interferir con las señales DMX del controlador.

Modo Activo por Sonido

Para seleccionar el modo Activo por sonido, haga lo siguiente:

1. Pulse **<MENU>** repetidamente hasta que **SOU0–SOU6** parpadee en la pantalla y se encienda la luz Sonido.
2. Utilice **<UP>** o **<DOWN>** para seleccionar el modo Activo por Sonido deseado.
3. Pulse **<ENTER>** para poner el dispositivo en el modo Activo por sonido seleccionado.
4. Encienda la música y ajuste el mando de sensibilidad al sonido hasta que el producto empiece a responder al ritmo de la música.



El producto solo responderá a bajas frecuencias en la música (graves y percusión).

El láser se quedará en blackout (oscuridad total) en modo Activo por sonido tras 3 segundos de silencio o sonido por debajo del nivel de sensibilidad.

Modo Automático

Para habilitar el modo Automático, siga las instrucciones siguientes:

1. Pulse **<MENU>** repetidamente hasta que **AUTO–AUT6** parpadee en la pantalla y se encienda la luz Auto.
2. Utilice **<UP>** o **<DOWN>** para seleccionar el modo Automático deseado.
3. Pulse **<ENTER>**.
4. Utilice **<UP>** o **<DOWN>** para ajustar la velocidad del modo Automático: **S 1** (rápido) a **S100** (lento).
5. Pulse **<ENTER>** para poner el dispositivo en el modo Automático seleccionado.

Modo Maestro/Esclavo

El modo Maestro/Esclavo permite que un solo producto Swarm™ 5 FX (el maestro), controle las acciones de uno o más productos Swarm™ 5 FX (los esclavos) sin necesidad de un controlador DMX. El maestro se configurará para funcionar bien en modo Automático bien en modo Activo por Sonido, mientras que los esclavos se configurarán para funcionar en Modo Esclavo. Una vez configuradas y conectadas, las unidades esclavo funcionarán al unísono con su maestro.

Configure los productos como se indica a continuación.

Para cada esclavo:

1. Pulse **<MENU>** repetidamente hasta que **SLA** parpadee en la pantalla y se encienda la luz de esclavo.
2. Pulse **<ENTER>** para poner el dispositivo en modo Esclavo. La pantalla continuará parpadeando.
3. Repita los pasos 1 y 2 para cada esclavo.
4. Conecte la salida DMX de la primera unidad esclavo a la entrada DMX de la siguiente unidad esclavo.
5. Conecte la entrada DMX de las siguientes unidades esclavo a la salida DMX de la unidad esclavo precedente.



- **Configure todas las unidades esclavo antes de conectar la unidad maestro a la cadena DMX.**
- **La pantalla de los esclavos continuará parpadeando hasta que los esclavos reciban una señal DMX del maestro.**

Para el maestro:

1. Conecte la salida DMX del maestro a la entrada DMX de la primera unidad esclavo.
2. Configure la unidad maestro para funcionar en modo Automático o Activo por Sonido



- **Asegúrese de que la unidad maestro es la primera unidad de la cadena DMX.**
- **Nunca conecte un controlador DMX a una cadena DMX configurada para funcionamiento Maestro/Esclavo, porque el controlador puede interferir con las señales del maestro.**
- **No conecte más de 31 esclavos al maestro.**

5. INFORMACIÓN TÉCNICA

Mantenimiento del Producto

El polvo acumulado reduce el rendimiento de la salida de luz y puede provocar sobrecalentamiento. Para mantener un rendimiento óptimo, limpie el producto al menos dos veces al mes.

Sin embargo, el uso y las condiciones ambientales influyen para un aumento de la frecuencia de limpieza.

Para limpiar el producto, siga las instrucciones siguientes:

1. Desenchufe el producto de la alimentación.
2. Espere a que el producto esté a temperatura ambiente.
3. Use un aspirador (o aire seco comprimido) y un cepillo suave para quitar el polvo depositado en las superficies externas y los orificios de aireación de los ventiladores.
4. Limpie el panel de cristal (apertura del láser) con una solución suave de limpiador de cristales o alcohol isopropílico.
5. Aplique la solución directamente sobre un paño suave que no deje pelusa o un paño de limpiar lentes.
6. Con suavidad, quite todo el polvo o suciedad de los bordes externos del cristal.
7. Con cuidado, frote la superficie hasta que no quede turbiedad ni pelusas.



Seque siempre con cuidado las superficies de cristal después de limpiarlas.

6. ESPECIFICACIONES TÉCNICAS

Dimensiones y Peso	Largo	Ancho	Alto	Peso
	9,75" (248 mm)	11,7" (298 mm)	12,2" (310 mm)	9,8 lb (4,5 kg)
Nota: Las dimensiones en pulgadas están redondeadas al dígito decimal más próximo.				
Alimentación	Tensión de Entrada	Rango	Selección de Tensión	
	Conmutación (interna)	100 a 240 VCA, 50/60 Hz	Detección automática (autorango)	
	Parámetro	120 V, 60 Hz	230 V, 50 Hz	
	Consumo	62 W	66 W	
	Corriente de funcionamiento	0,5 A	0,3 A	
	Intensidad de alimentación en cadena (unidades)	8 A (15 unidades)	8 A (26 unidades)	
	Fusible	T 1,6 A, 250 V	T 1,6 A, 250 V	
E/S alimentación	E/S alimentación	US/Mundial	UK/Europa	
	Enchufe de cable de alimentación	Edison (EE.UU.)	Enchufe local	
Fuente de luz Láser	Tipo	Alimentación	Longitud de onda	
	Láser (verde)	50 mW	532 nm	
	Láser (rojo)	100 mW	650 nm	
Fuente de luz LED	Tipo	Alimentación	Duración	
	LED	3 W	50.000 horas	
	Color	Cantidad	Intensidad	
	Rojo	1	300 mA	
	Verde	1	300 mA	
	Azul	1	300 mA	
	Ámbar	1	300 mA	
	Blanco	1	300 mA	
Fuente de Luz Estroboscopio	Tipo	Alimentación	Duración	
	LED	1 W	50.000 horas	
	Color	Cantidad	Intensidad	
	Blanco	8	300 mA	
Óptica Foto	Parámetro			
	Ángulo de cobertura (láser)	100°		
	Ángulo de cobertura (LED)	65°		
	Ángulo del campo (estroboscopio)	35°		
	Ángulo del haz (estroboscopio)	17°		
	Frecuencia de estroboscopio	0 a 20 Hz		
Iluminancia @ 2 m (estroboscopio)	823 lux			
Térmicas	Temp. externa máxima del láser	Sistema de Refrigeración		
	95 °F (35 °C)	Convección		
DMX	Conectores E/S	Tipo de Conector	Rango de Canal	
	XLR 3 pines	Conectores	9	
Pedidos	Nombre de Producto	Código de Pieza	Código UPC	
	Swarm™ 5 FX	10050765	781462211134	



DEVOLUCIONES

En caso de que necesite asistencia o devolver un producto:

- Si se encuentra en EE. UU., póngase en contacto con la Oficina Central de Chauvet (vea [Contacto](#)).
- Si se encuentra en el Reino Unido o Irlanda, póngase en contacto con Chauvet Europe Ltd. (vea [Contacto](#)).
- Si se encuentra en México, póngase en contacto con Chauvet Mexico (vea [Contacto](#)).
- Si se encuentra en Benelux, póngase en contacto con Chauvet Europe BVBA (vea [Contacto](#)).
- Si se encuentra en cualquier otro país, NO contacte con Chauvet. Contacte con su distribuidor local. Vea www.chauvetlighting.com para distribuidores fuera de EE.UU., Reino Unido, Irlanda, México, o Benelux.



Si se encuentra fuera de los EE.UU., Reino Unido, Irlanda, México, o Benelux, póngase en contacto con su distribuidor de registro y siga sus instrucciones sobre cómo devolverle a ellos los productos CHAUVET®. Visite www.chauvetlighting.com para detalles de contacto.

Llame a la oficina de Asistencia Técnica Chauvet correspondiente y pida un número de Autorización de Devolución de la mercancía (RMA) antes de enviar el producto. Esté preparado para proporcionar el número de modelo, número de serie y una breve descripción de la causa de la devolución.

Envíe la mercancía a portes pagados, en su caja original y con su embalaje y accesorios originales. Chauvet no expedirá etiquetas de devolución.

Etiquete el paquete claramente con el número de RMA. Chauvet rechazará cualquier producto devuelto sin un número de RMA.



Escriba el número de RMA en una etiqueta convenientemente adherida. NO escriba el número de RMA directamente sobre la caja.

Antes de enviar el producto, escriba claramente la siguiente información en una hoja de papel y colóquela dentro de la caja:

- Su nombre
- Su dirección
- Su número de teléfono
- Número de RMA
- Una breve descripción del problema

Asegúrese de que empaqueta el producto adecuadamente. Cualquier daño en el transporte que resulte de un empaquetado inadecuado será responsabilidad suya. Se recomienda empaquetado FedEx o de doble caja.



Chauvet se reserva el derecho de usar su propio criterio para reparar o reemplazar productos devueltos.

CONTACTO

OFICINA CENTRAL - Chauvet

Información General

Dirección: 5200 NW 108th Avenue
Sunrise, FL 33351

Voz: (954) 577-4455

Fax: (954) 929-5560

Número Gratuito: (800) 762-1084

Servicio Técnico

Voz: (954) 577-4455 (Marque 4)

Fax: (954) 756-8015

Email: tech@chauvetlighting.com

World Wide Web www.chauvetlighting.com

REINO UNIDO E IRLANDA - Chauvet Europe Ltd.

Información General

Dirección: Unit 1C
Brookhill Road Industrial Estate
Pinxton, Nottingham, UK
NG16 6NT

Voz: +44 (0)1773 511115

Fax: +44 (0)1773 511110

Servicio Técnico

Email: uktech@chauvetlighting.com

World Wide Web www.chauvetlighting.com

MÉXICO - Chauvet Mexico

Información General

Dirección: Av. Santa Ana 30
Parque Industrial Lerma
Lerma, Mexico C.P. 52000

Voz: +52 (728) 285-5000

Servicio Técnico

Email: servicio@chauvet.com.mx

World Wide Web www.chauvet.com.mx

CHAUVET EUROPE - Chauvet Europe BVBA

Información General

Dirección: Stokstraat 18
9770 Kruishoutem
Belgium

Voz: +32 9 388 93 97

Servicio Técnico

Email: Eutech@chauvetlighting.eu

World Wide Web www.chauvetlighting.eu

Fuera de EE.UU., Reino Unido, Irlanda, México, o Benelux, póngase en contacto con su proveedor. Siga sus instrucciones para pedir soporte o para devolver un producto. Visite www.chauvetlighting.com para detalles de contacto.

1. AVANT DE COMMENCER

- Ce Qui Est Compris**
- Swarm™ 5 FX
 - Cordon d'alimentation externe
 - Une Fiche de Garantie
 - Un Manuel d'Utilisation

Instructions Relatives au Déballage Déballer l'appareil avec précaution et vérifiez le contenu afin de vous assurer que rien ne vous manque et que tout est en bon état.

Réclamations




Si l'emballage ou le contenu (l'appareil et ses accessoires compris) semble avoir été endommagé pendant le transport, ou s'il présente des signes de manipulation sans précaution, veuillez dès réception en notifier immédiatement le transporteur et non Chauvet. Ne pas enregistrer votre réclamation auprès du transporteur en temps et en heure peut entraîner une non validation de celle-ci. De plus, gardez l'emballage et tous les matériaux d'emballage pour inspection.

Pour tout autre problème comme la non-livraison de pièces ou composants, des dommages non en rapport avec la livraison ou des vices cachés, veuillez déposer votre réclamation auprès de Chauvet dans les 7 jours suivant la livraison.

Conventions de Ce Manuel

Convention	Signification
1—512	Une plage de valeurs
50/60	Un ensemble de valeurs parmi lequel on ne peut en choisir qu'une
Settings	Une option de menu ne pouvant être modifiée
Menu > Settings	Une séquence d'options de menu à suivre
<ENTER>	Un bouton sur lequel appuyer sur le panneau de commande de l'appareil

Symboles

Symbole	Signification
	Consignes importantes en matière d'installation, de configuration et de fonctionnement. Le non-respect de ces consignes peut entraîner le non-fonctionnement de l'appareil ou lui causer des dommages. De même, l'utilisateur peut s'en trouver affecté.
	Consignes importantes en matière d'installation ou de configuration. Le produit peut ne pas fonctionner correctement si ces instructions ne sont pas suivies.
	Informations utiles

Clause de Non-Responsabilité

Les informations et caractéristiques contenues dans ce manuel sont sujettes à changement sans préavis. Chauvet ne saura être tenu responsable pour toute erreur ou omission pouvant être contenue dans ce manuel. De plus Chauvet se réserve le droit de revoir ou réécrire ce manuel à tout moment. Téléchargez la dernière version de ce manuel sur www.chauvetlighting.com.

© Copyright 2015 Chauvet. Tous droits réservés.

Imprimé en République Populaire de Chine

Publié électroniquement par Chauvet aux États-Unis.

Auteur	Date	Éditeur	Date
M. Trouard	06/04/2015	A. Leon	06/04/2015

Consignes de Sécurité

Ce manuel d'utilisation reprend d'importantes informations en matière de consignes de sécurité des lasers. Lisez et assimilez ces consignes avant de mettre votre unité sous tension pour la première fois. Connaître ces consignes de sécurité est essentiel car vous éviterez ainsi des blessures oculaires et ne vous trouverez pas en infraction avec la loi. Gardez ce manuel dans un endroit sûr pour référence future.



LISEZ ET ASSIMILEZ IMPÉRATIVEMENT TOUTES LES CONSIGNES DE SÉCURITÉ EN MATIÈRE DE LASER



Les lasers peuvent s'avérer dangereux et font l'objet de consignes de sécurité spécifiques. Une mauvaise utilisation des lasers pourrait entraîner une cécité totale ou causer des lésions oculaires. Portez une attention particulière aux libellés portant la mention **AVERTISSEMENT** ou **REMARQUE** dans ce manuel d'utilisation. Lisez et assimilez toutes les consignes **AVANT** de mettre cet appareil en marche pour la première fois.



- Connectez toujours l'appareil à un circuit relié à la terre afin d'éviter tout risque d'électrocution.
- Déconnectez toujours de l'alimentation principale avant de procéder à tout entretien.
- Évitez tout contact visuel direct avec la source lumineuse quand cet appareil est en marche
- Assurez-vous que le cordon d'alimentation n'est ni tordu ni endommagé.
- Ne débranchez jamais cet appareil en tirant sur le cordon.
- Si vous installez l'appareil en hauteur, utilisez impérativement une élingue de sécurité pour le sécuriser au dispositif de fixation.
- Ne laissez aucun produit inflammable dans un rayon de 50 cm de l'appareil lorsque celui-ci fonctionne.
- Ne touchez pas cet appareil lors de son fonctionnement car il pourrait s'avérer brûlant.



- Cet appareil n'est pas conçu pour être utilisé dans une installation permanente.
- Veillez toujours à ce que la tension de la prise à laquelle vous branchez l'appareil soit comprise dans la plage indiquée sur l'étiquette ou à l'arrière de l'appareil.
- Cet appareil doit être utilisé en intérieur uniquement ! (IP20). Afin d'éviter tout risque d'incendie ou décharge électrique, veillez à n'exposer cet appareil ni à la pluie ni à l'humidité.
- Installez toujours cet appareil dans un endroit bien ventilé, à au moins 20 pouces (50 cm) des surfaces adjacentes.
- Assurez-vous qu'aucune fente de ventilation sur le boîtier de l'appareil ne soit obstruée.
- Ne connectez jamais cet appareil à un gradateur.
- Transportez ce produit uniquement au moyen de la poignée dont il est doté.
- Mettre l'appareil hors/sous tension à de brefs intervalles est fortement déconseillé. La durée de vie de la diode laser s'en trouverait fortement réduite.
- Ne secouez pas l'appareil. Évitez tout geste brusque lors de l'installation ou de l'utilisation de l'appareil.
- Utilisez **TOUJOURS** un câble de sécurité lorsque vous montez cet appareil en hauteur.
- La plage de température ambiante de fonctionnement pour le laser est de 15 °C à 35 °C (59 °F à 95 °F). Ne faites pas fonctionner cet appareil à des températures en dehors de cette plage.
- En cas de sérieux problèmes de fonctionnement, arrêtez le système immédiatement.
- N'essayez jamais de réparer cet appareil. Toute réparation effectuée par une personne non qualifiée peut entraîner des dommages ou un fonctionnement erratique de l'appareil. Mettez-vous en relation avec le centre d'assistance technique autorisé le plus près de chez vous.



- Lumière laser : évitez tout contact direct avec les yeux ! N'exposez jamais intentionnellement directement vos yeux ou ceux d'autres personnes à la lumière du laser.
- Cet appareil laser peut entraîner une cécité totale ou causer des lésions oculaires instantanées si le laser entre en contact direct avec les yeux.
- Il est illégal et dangereux de diriger ce laser vers les zones destinées au public, zones où les yeux des membres du public ou du personnel pourraient être en contact direct avec les rayons laser ou des réflexissements lumineux.
- Ne pointez pas de laser sur les avions, ceci est répréhensible par la loi.
- L'utilisation des commandes, réglages ou procédures autres que celles spécifiées ci-après peut entraîner de dangereuses expositions à des radiations.
- N'essayez JAMAIS de réparer l'appareil vous-même. Les réparations et entretiens doivent être effectués par un technicien agréé.
- Durant les périodes de non-utilisation, pour éviter toute usure inutile et pour prolonger la durée de vie, déconnectez-entièrement l'appareil en le débranchant de l'alimentation électrique ou en coupant le disjoncteur.
- **Toute modification non autorisée apportée à l'appareil est strictement interdite pour raison de sécurité !**



- Conservez ce manuel d'utilisation pour référence future. Si vous étiez amené à vendre cet appareil à un autre utilisateur, veillez à lui remettre ce manuel également.

Avertissement : Boîtier non Verrouillable

- Cet appareil renferme un laser très puissant.
- N'ouvrez jamais le boîtier du laser, vous pourriez être exposé à des niveaux dangereux de radiation laser.
- L'intensité du laser à l'ouverture du boîtier peut entraîner instantanément une cécité, des brûlures cutanées ou des incendies.



PRENEZ LE TEMPS DE LIRE ET ASSIMILEZ LES CONSIGNES DE SÉCURITÉ RELATIVES AU LASER CI-DESSOUS



Consignes de Sécurité Relatives au Laser

La lumière émise d'un laser est très différente de toute autre source de lumière. Elle peut entraîner des lésions oculaires si l'appareil n'est pas correctement installé ou utilisé. La lumière d'un laser est des milliers de fois plus concentrée que toute autre source lumineuse. Cette concentration de lumière peut causer des blessures oculaires instantanées, essentiellement par une brûlure de la rétine (l'arrière de votre œil contient des cellules extrêmement sensibles à la lumière). La chaleur émise ne peut être ressentie, toutefois elle peut quand même entraîner des blessures ou aveugler les opérateurs ou le public. Une faible radiation en provenance du faisceau lumineux du laser peut s'avérer potentiellement dangereuse, même à de longues distances.

N'assumez JAMAIS que l'exposition à même un seul rayon laser n'est pas dangereuse, elle l'est tout autant que l'exposition à une fraction d'un faisceau plus large. Ce laser utilise des dizaines de milliwatts de puissance - niveaux internes de classe 3B - avant de se diviser en de multiples faisceaux - niveaux de classe 3R. De nombreux faisceaux individuels de classe 3R sont potentiellement dangereux pour les yeux.

N'assumez JAMAIS non plus qu'un faisceau laser en mouvement n'est pas dangereux. Les lasers, en tout temps, comportent un risque. Puisque les blessures oculaires peuvent apparaître instantanément, il est indispensable d'empêcher LA MOINDRE exposition directe des yeux. Selon les réglementations en vigueur en matière de sécurité des lasers, la loi interdit expressément de diriger des lasers de classe 3R là où ils peuvent atteindre le public, même s'ils sont dirigés sous le visage des membres du public, comme sur une piste de danse par exemple.

- Ne faites pas fonctionner le laser avant d'avoir lu et compris toutes les données techniques et de sécurité contenues dans ce manuel.
- Veuillez TOUJOURS configurer et installer les effets laser de manière à ce que leur lumière soit projetée à minimum 3 mètres (9,8 pieds) au-dessus du sol sur lequel les gens se tiennent. Référez-vous à la section [Utilisation Adéquate](#) de ce manuel.
- Après installation et avant utilisation publique, veuillez tester le laser afin de vous assurer de son bon fonctionnement. N'utilisez pas l'appareil si vous constatez quelque défaut que ce soit.
- N'utilisez PAS les lasers n'émettant qu'un ou deux faisceaux, quand ils devraient en émettre des dizaines ou des centaines, car cela indique que le réseau de diffraction optique est endommagé et qu'il est possible que soient émis des niveaux de laser supérieurs à ceux de classe 3R.
- NE pointez PAS le laser sur des gens ou des animaux.
- Ne regardez JAMAIS l'ouverture ou les faisceaux laser.
- NE pointez PAS le laser là où il pourrait entrer en contact avec des gens.
- NE pointez PAS de laser sur des surfaces hautement réfléchissantes, telles que des fenêtres, des miroirs ou du métal réverbérant. Même les reflets des lasers peuvent être dangereux.
- Ne pointez pas de laser sur les avions, ceci est répréhensible par la loi.
- Ne pointez pas des faisceaux de laser très longue portée dans le ciel.
- N'exposez pas la sortie optique (ouverture) à des produits chimiques.
- N'utilisez pas le laser si le boîtier est endommagé, ouvert, ou si l'optique semble endommagée.
- N'ouvrez pas le boîtier du laser. La forte intensité du laser à l'intérieur du boîtier de protection peut entraîner des incendies, des brûlures corporelles ou des blessures oculaires instantanées.
- Ne laissez jamais l'appareil fonctionner sans surveillance.
- Le fonctionnement d'appareils laser de classe 3R n'est autorisé que s'il est contrôlé par un utilisateur expérimenté et adéquatement formé, ayant assimilé les données présentées dans ce manuel.
- Les obligations légales d'utilisation des produits laser pour les loisirs varient de pays en pays. L'utilisateur est tenu de respecter les obligations légales du pays/de la salle dans lequel il l'utilise.

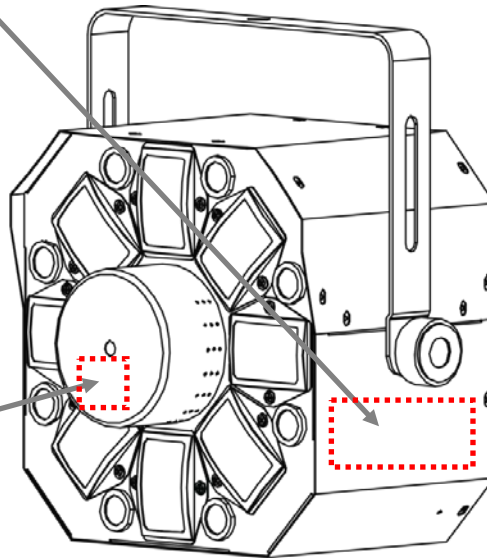
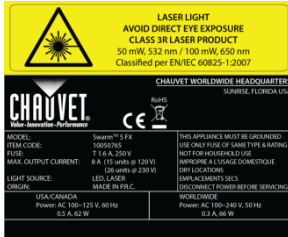


ATTENTION : n'utilisez PAS cet appareil de manière non indiquée dans ce manuel d'utilisateur. Le non-respect des instructions entraînera l'annulation de la garantie et peut également endommager l'appareil ou causer des blessures aussi bien à l'utilisateur qu'au public.

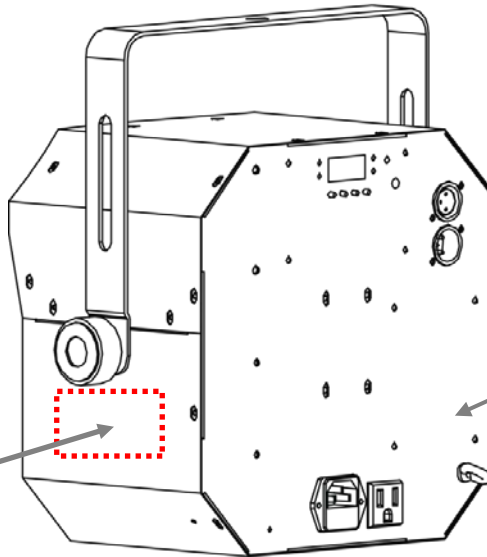


ATTENTION : vous ne pouvez disposer de cet appareil avec les déchets ménagers. Prenez contact avec votre service régional de gestion des déchets pour connaître les procédures de recyclage des appareils électroniques de votre zone.

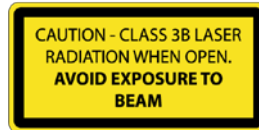
Reproductions des Etiquettes en Matière de Sécurité des Appareils Laser



Avant



Arrière



**Avertissement
d'Exposition au
Laser**



LUMIÈRE LASER, ÉVITEZ L'EXPOSITION DIRECTE AVEC LES YEUX

Des lignes directrices et programmes de sécurité supplémentaires pour une utilisation des lasers en toute sécurité peuvent être consultés dans le texte de la norme ANSI Z136.1 "For Safe Use of Lasers" ("Pour une utilisation des lasers en toute sécurité"), disponible sur le site www.laserinstitute.org du Laser Institute of America. Une multitude de gouvernements, grandes entreprises, agences, forces armées et autres, exige que les utilisateurs d'appareils laser suivent les lignes directrices de la norme ANSI Z136.1. Le guide des spectacles laser peut être obtenu auprès de l'International Laser Display Association (l'association internationale du spectacle laser) sur leur site www.laserist.org.

**Données
d'Emission Laser**

Comme mesuré selon les conditions de mesure CEI pour la classification.

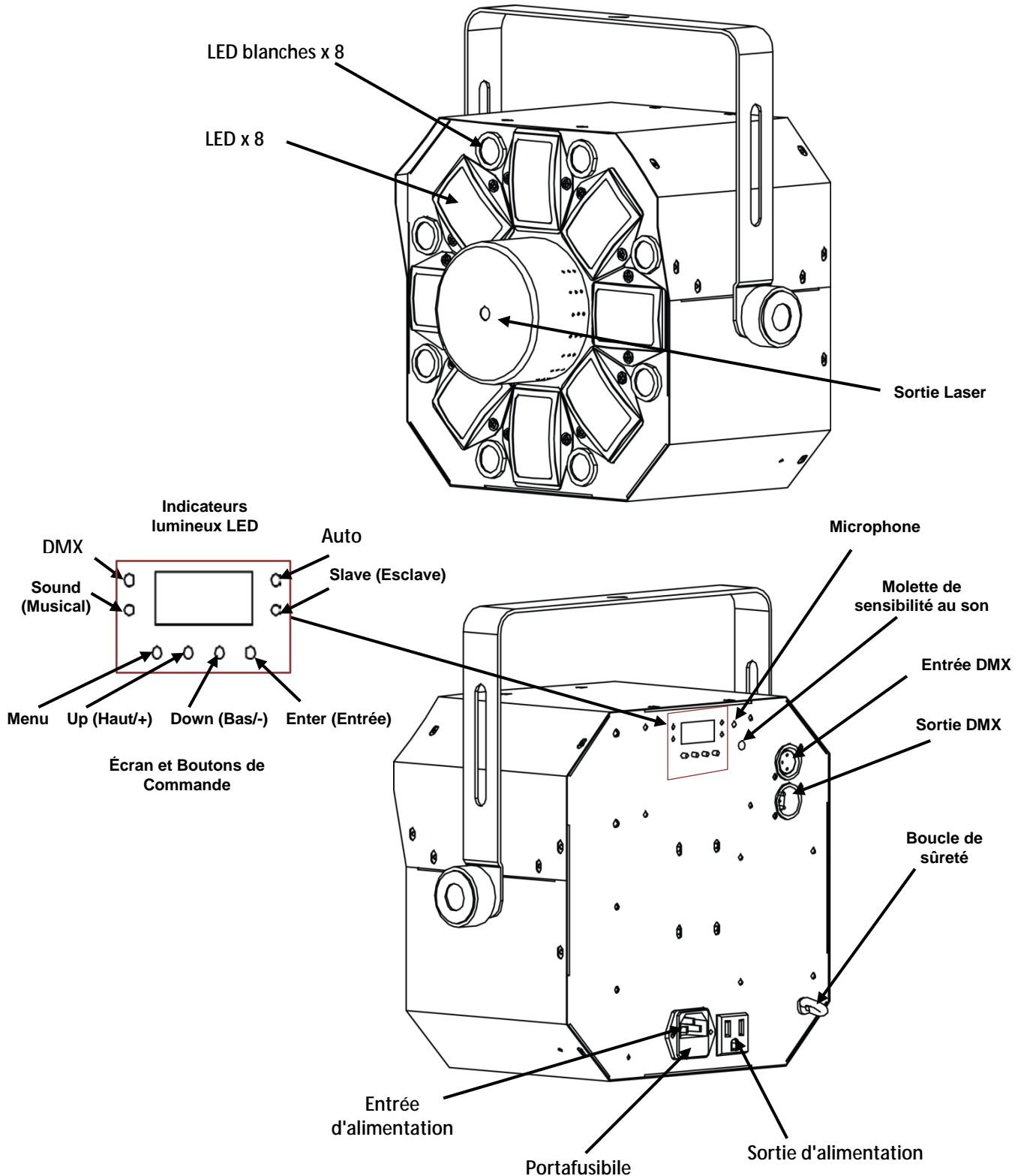
Classification du laser	Classe 3R
Laser vert	DPSS (laser solide pompé par diode) Nd:YVO4, 532 nm/50 mW
Laser rouge	LD GaAlA : 650 nm/100 mW
Diamètre de faisceau	< 5 mm à l'ouverture
Données d'impulsion	Toute impulsion < 4 Hz (>0,25 s)
Divergence (chaque faisceau)	< 2 mrad
Divergence (éclairage dans son ensemble)	< 160 °
Puissance du laser de chaque faisceau à l'ouverture*	<5 mW

**Déclaration De
Conformité Du
Laser**

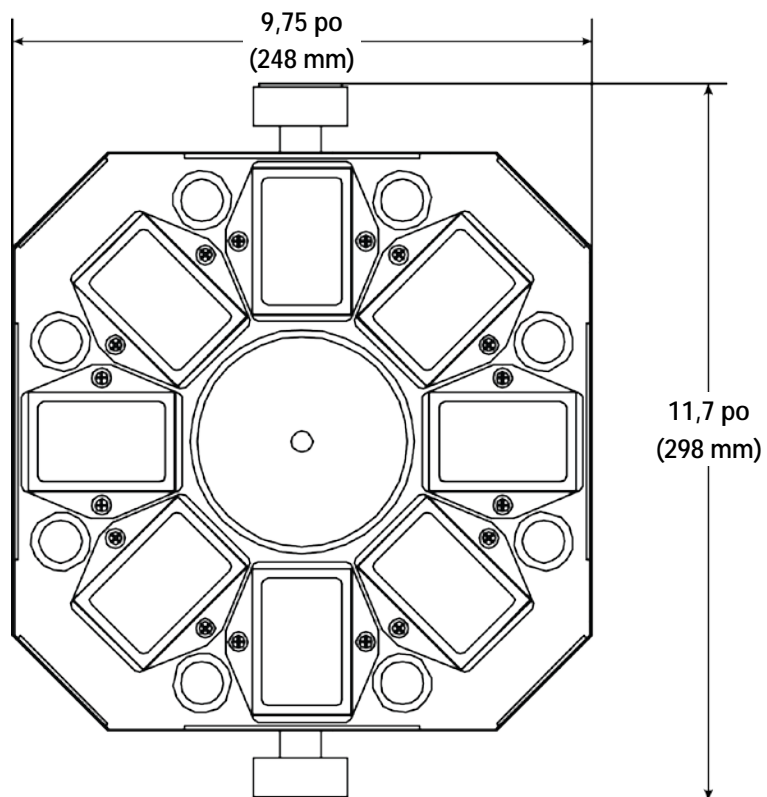
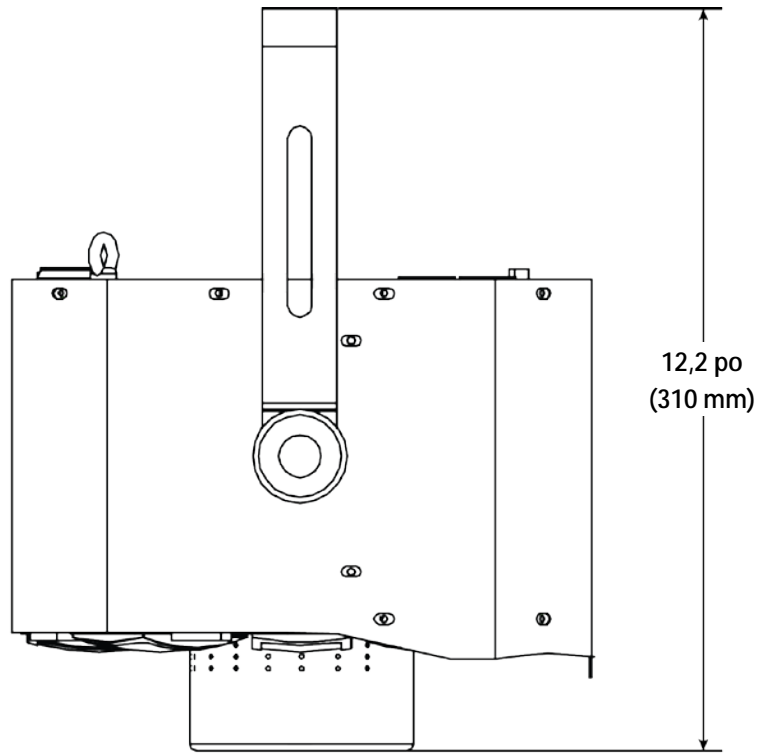
Cet appareil laser répond aux normes EN/CEI 60825-1 Ed 2, 2007-03 et US FDA/CDRH FLPPS selon les termes de la notice de laser n°50 en date du 24 juin 2007. Cet appareil laser est classé 3R. (La classe 3R est la classe équivalant à la classe IIIa aux États-Unis). Aucune maintenance n'est nécessaire pour le maintien de la conformité aux normes de performance laser de cet appareil.

2. INTRODUCTION

Aperçu



Dimensions



3. CONFIGURATION

Alimentation El Swarm™ 5 FX est doté d'une alimentation universelle prenant en charge toute tension d'entrée comprise entre 100 et 240 VCA, 50/60 Hz.

CA

Pour déterminer les exigences en puissance de votre appareil (court-circuit, prise d'alimentation et câblage), consultez la valeur reprise sur l'étiquette apposée sur le panneau arrière du produit ou référez-vous aux [Spécificités Techniques](#). La capacité nominale affichée indique la consommation courante de l'appareil dans des conditions normales d'utilisation.



- **Connectez toujours l'appareil à un circuit protégé (disjoncteur ou fusible). Assurez-vous que l'appareil soit correctement relié à la terre afin d'éviter tout risque d'électrocution ou d'incendie.**
- **Durant les périodes de non-utilisation, pour éviter toute usure inutile et pour prolonger la durée de vie, déconnectez-entièrement l'appareil en le débranchant de l'alimentation électrique ou en coupant le disjoncteur.**



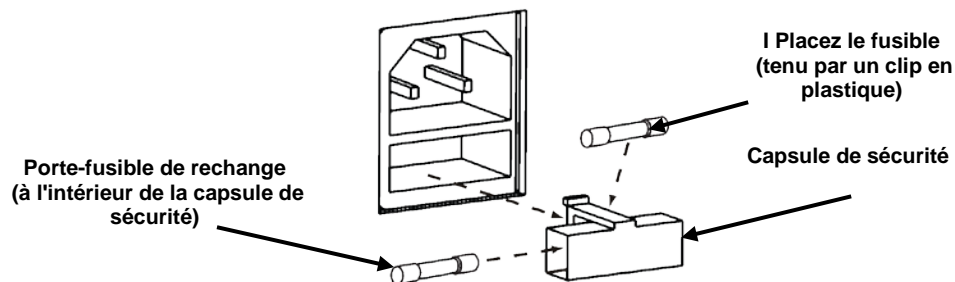
Ne connectez jamais l'appareil à un rhéostat (résistance variable) ou un circuit voleur, même si vous n'avez l'intention de vous servir du rhéostat ou canal de gradation que comme interrupteur 0 à 100 %.

Remplacement du Fusible

1. Débranchez l'appareil de l'alimentation.
2. Insérez et calez la pointe d'un tournevis à tête plate dans la fente du porte-fusible.
3. En faisant levier, faites-le sortir de son emplacement.
4. Retirez le fusible obsolète du porte-fusible.
5. Remplacez le fusible avec un de même type et même ampérage.
6. Insérez à nouveau le porte-fusible à sa place et rebranchez l'appareil.



Débranchez l'appareil avant de procéder au remplacement du fusible.



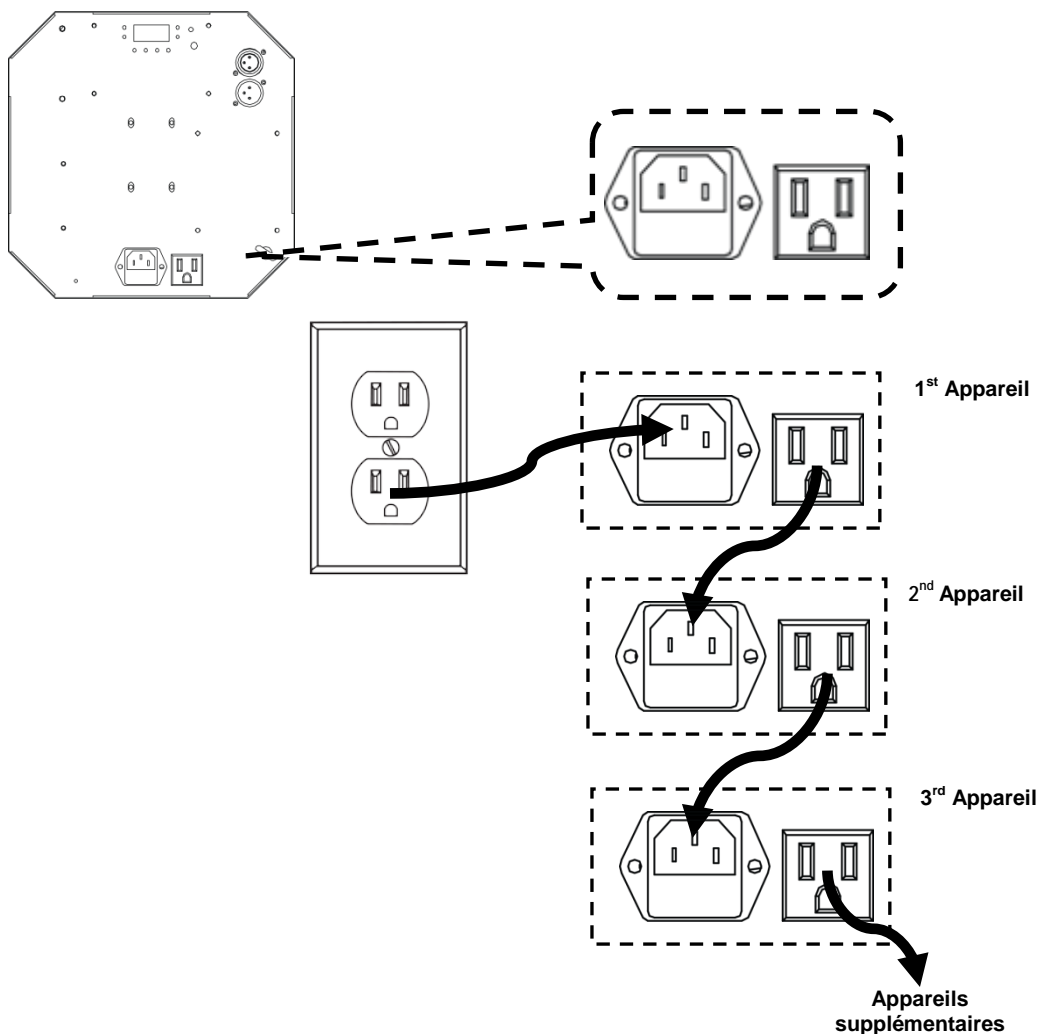
Connexion Electrique

Raccorder en chaîne des unités consiste à les relier entre elles via les entrées et sorties d'alimentation, permettant ainsi à plusieurs unités d'être alimentées depuis une seule prise murale.

Il est possible de raccorder jusqu'à 15 Swarm™ 5 FX à 120 V et 26 Swarm™ 5 FX à 230 V.

Le diagramme ci-dessous indique comment procéder.

Diagramme de
Raccordement
d'Alimentation



Ne raccordez jamais plus de 15 Swarm™ 5 FX à 120 V.

Ne raccordez jamais plus de 26 Swarm™ 5 FX à 230 V.



Le schéma de raccordement d'alimentation ci-dessus correspond **UNIQUEMENT** à la version américaine de cet appareil !

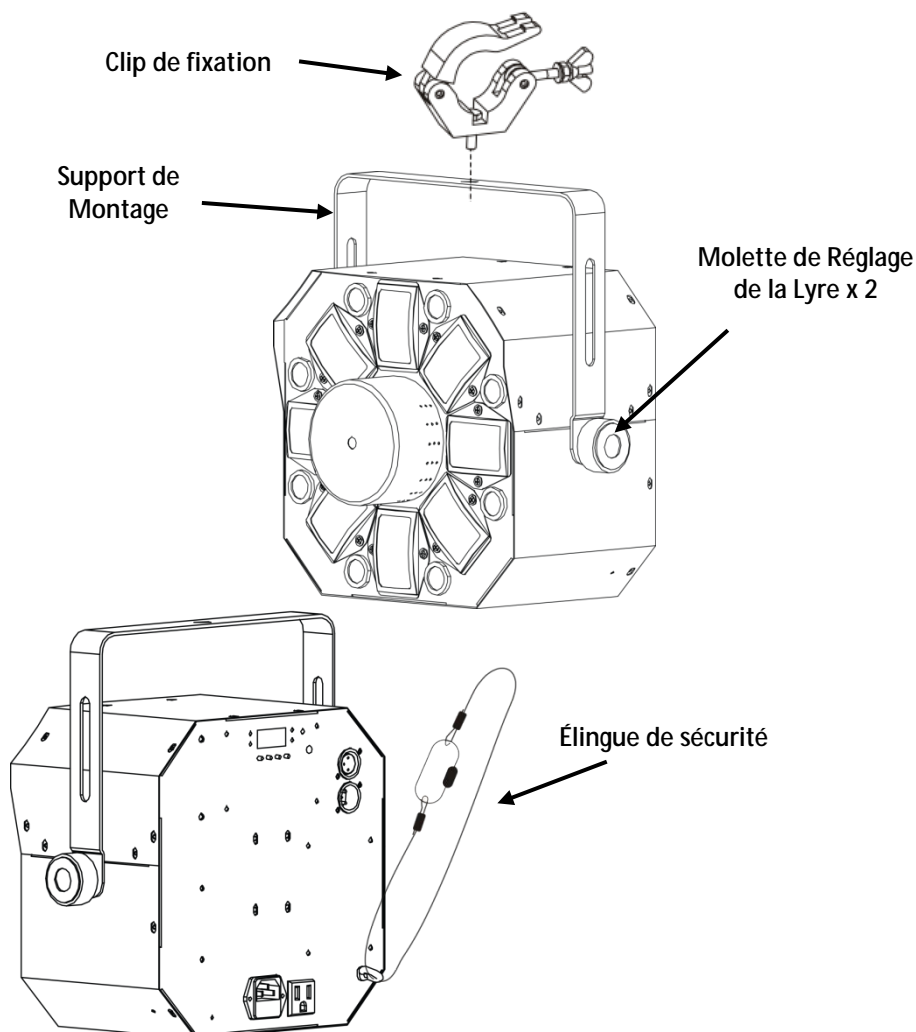
Les connecteurs et exigences en matière de raccordement en chaîne varient de pays en pays et de région en région.

Si vous utilisez cette unité en dehors de l'Amérique du nord, veuillez consulter votre distributeur Chauvet.

Installation Avant d'installer ce produit, lisez, assimilez et suivez les recommandations en matière de sécurité reprises dans la section [Consignes de Sécurité](#). Utilisez au moins un point par produit de montage. Veillez à ce que la fixation de montage puisse supporter le poids de l'unité. Pour découvrir la gamme de fixations de Chauvet, rendez-vous sur www.chauvetlighting.com/cables-clamps-main.html.

Orientation Le Swarm™ 5 FX doit être monté de manière à garantir l'usage en toute sécurité du laser. Assurez-vous que la ventilation de cet appareil puisse s'effectuer de manière adéquate.

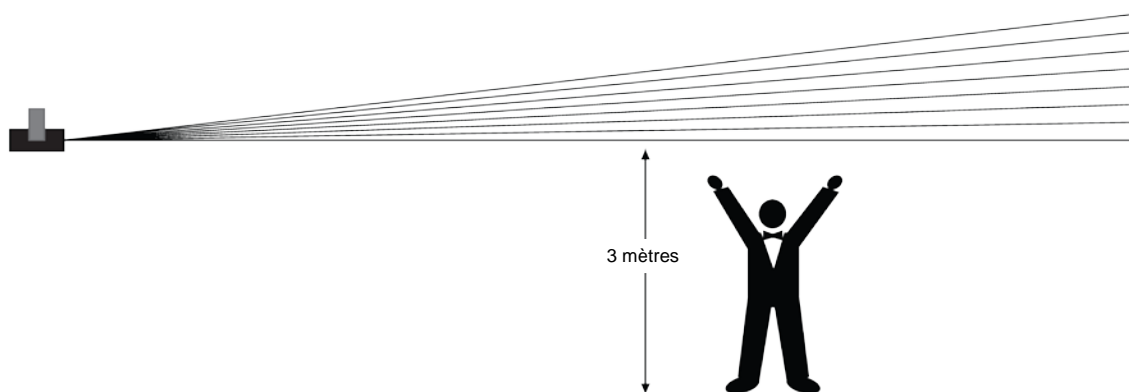
- Suspension**
- Avant de choisir un emplacement pour l'appareil, assurez-vous qu'il soit facile d'y accéder pour toute opération de maintenance et de programmation.
 - Assurez-vous que la structure ou la surface sur laquelle vous installez l'appareil peut en supporter le poids (voir les [Spécificités Techniques](#)).
 - Utilisez toujours un câble de sécurité (comme **CH-05** de Chauvet lorsque vous montez cet appareil en hauteur. Garantisiez un montage en toute sécurité de l'appareil en le reliant à un point de fixation, comme une plateforme en hauteur ou une structure.
 - Lors de la suspension de l'appareil à une structure, vous devriez utiliser un clip de fixation en mesure de supporter la charge nécessaire. La lyre comporte un orifice de 13 mm à cet effet.
 - Les molettes de réglage de la fixation permettent d'ajuster la position de l'appareil lors de son positionnement à l'angle désiré. N'utilisez aucun outil pour relâcher ou resserrer les molettes de la fixation. En utiliser pourrait endommager les molettes.



Utilisation Adéquate

Cet appareil doit être monté en hauteur uniquement. Pour des raisons de sécurité, Chauvet recommande de monter vos éclairages sur une plateforme élevée stable ou des supports en hauteur renforcés au moyen de systèmes de suspension adéquats. Vous devez, dans tous les cas, utiliser des élingues de sécurité. Le matériel de montage approprié peut être acquis auprès de votre revendeur d'éclairage.

Les réglementations internationales en matière de sécurité des appareils laser exigent que ceux-ci soient installés de manière à ce qu'un minimum de 3 mètres de séparation à la verticale existe entre le sol et la lumière laser la plus basse projetée. De plus, une séparation de 3 mètres à l'horizontal doit être respectée entre toute lumière laser émise et les membres du public ou autres espaces publics.



ATTENTION : L'utilisation des commandes, réglages ou procédures autres que celles spécifiées DANS CE MANUEL D'UTILISATION peut entraîner de dangereuses expositions à des radiations.

4. FONCTIONNEMENT

Cet appareil ne doit pas fonctionner de manière continue. Afin de maximiser la durée de vie de votre laser, veillez à le mettre en pause régulièrement. Débranchez toujours le Swarm™ FX quand il n'est pas utilisé.

Fonctionnement du Panneau de Commande Pour accéder aux fonctions du panneau de commande, utilisez les quatre boutons situés sous l'écran. Quand l'appareil est sous tension, le voyant LED sur le panneau arrière indiquera le mode de fonctionnement sélectionné (autonome ou DMX). Au moment d'éteindre l'appareil, seront enregistrées les dernières configurations enregistrées.

Bouton	Fonction
<FUNC>	Sélection d'un mode de fonctionnement ou de sortie de l'option de menu en cours
<UP>	Permet de parcourir vers le haut la liste des options ou de trouver une valeur supérieure
<DOWN>	Permet de parcourir vers le bas la liste des options ou de trouver une valeur inférieure
<ENTER>	Permet d'activer une option de menu ou une valeur sélectionnée.

Tableau du Menu

Mode	Étapes de Programmation		Description
Mode DMX	d001—d506		Sélectionne l'adresse DMX de départ
Mode Automatique	AUT0—AUT6	S 1—S100	Configure la vitesse du programme automatique
Mode Musical	SOU0—SOU6		Modes musicaux
Mode Esclave	SLA		Mode esclave

Configuration (DMX) Mettez l'appareil en mode DMX pour permettre la commande depuis le jeu d'orgues DMX. L'appareil utilise un câble DMX à 3 broches.

1. Branchez l'appareil à une prise adéquate.
2. Connectez un câble DMX de la sortie DMX du jeu d'orgues DMX à l'entrée DMX de l'unité.

Adresse de Départ Au moment de sélectionner une adresse DMX de départ, gardez toujours à l'esprit le nombre de canaux DMX que le mode DMX sélectionné utilise. Si vous choisissez une adresse de départ trop élevée, vous pourriez restreindre l'accès à certains canaux de l'appareil.

Le Swarm™ 5 FX utilise 9 canaux DMX. L'adresse DMX la plus élevée en conséquent est **504**.

Si vous n'êtes pas familier avec le protocole DMX, téléchargez l'introduction au DMX sur la page Web http://www.chauvetlighting.com/downloads/DMX_Primer_Rev6_WO.pdf.

Pour sélectionner l'adresse DMX de départ, faites comme suit :

1. Appuyez sur <MENU> jusqu'à ce que clignote d001—d506 à l'écran et que le voyant DMX s'allume.
2. Utilisez <UP> ou <DOWN> pour sélectionner l'adresse de départ.
3. Appuyez sur <ENTER> pour faire passer l'appareil en mode DMX. L'écran continuera à clignoter.



Il le fera jusqu'à réception d'un signal DMX.

Valeurs, Assignations et Modes de Canaux DMX

9 Canaux	Canal	Fonction	Valeur	Configuration			
1		Programmes Automatiques	000 ó 009	Noir général			
			010 ó 024	Programme automatique 1			
			025 ó 039	Programme automatique 2			
			040 ó 054	Programme automatique 3			
			055 ó 069	Programme automatique 4			
			070 ó 084	Programme automatique 5			
			085 ó 099	Programme automatique 6			
			100 ó 114	Programme automatique 7			
			115 ó 129	Mode musical 1			
			130 ó 144	Mode musical 2			
			145 ó 159	Mode musical 3			
			160 ó 174	Mode musical 4			
			175 ó 189	Mode musical 5			
			190 ó 204	Mode musical 6			
			205 ó 219	Mode musical 7			
			220 ó 255	Mode DMX			
			2		Fonctionnement LED	000 ó 009	Noir général
						010 ó 014	Rouge
						015 ó 019	Vert
						020 ó 024	Bleu
						025 ó 029	Ambre
030 ó 034	Blanc						
035 ó 039	Blanc + Rouge						
040 ó 044	Rouge + Vert						
045 ó 049	Vert + Bleu						
050 ó 054	Bleu + Ambre						
055 ó 059	Ambre + Blanc						
060 ó 064	Vert + Blanc						
065 ó 069	Vert + Ambre						
070 ó 074	Rouge + Ambre						
075 ó 079	Rouge + Bleu						
080 ó 084	Bleu + Blanc						
085 ó 089	Rouge + Vert + Bleu						
090 ó 094	Rouge + Vert + Ambre						
095 ó 099	Rouge + Vert + Blanc						
100 ó 104	Rouge + Bleu + Ambre						
105 ó 109	Rouge + Blanc + Bleu						
110 ó 114	Rouge + Ambre + Blanc						
115 ó 119	Vert + Bleu + Ambre						
120 ó 124	Vert + Bleu + Blanc						
125 ó 129	Ambre + Vert + Blanc						
130 ó 134	Ambre + Vert + Bleu						
135 ó 139	Rouge + Vert + Bleu + Ambre						
140 ó 144	Rouge + Vert + Bleu + Blanc						
145 ó 149	Vert + Bleu + Ambre + Blanc						
150 ó 154	Rouge + Vert + Ambre + Blanc						
155 ó 159	Rouge + Bleu + Ambre + Blanc						
160 ó 164	Rouge + Vert + Bleu + Blanc + Ambre						
165 ó 209	Automatique (couleur simple uniquement)						
210 ó 255	Automatique (deux couleurs à la fois)						

9 Canaux (Suite)

Canal	Fonction	Valeur	Configuration
3	Vitesse de Programme Automatique (lorsque le canal 2 est compris entre 165 et 255)	000 ó 255	Vitesse automatique, lent à rapide (couleurs uniquement)
4	Stroboscope à LED (lorsque le canal 2 est compris entre 010 et 255)	000 ó 004 005 ó 254 255	Pas de fonction Stroboscope (rapide à lent) Stroboscope en mode musical
5	LED Blanche	000 ó 009 010 ó 019 020 ó 029 030 ó 039 040 ó 049 050 ó 059 060 ó 069 070 ó 079 080 ó 089 090 ó 099 100 ó 109 110 ó 255	Noir général Programme automatique 1 (rapide à lent) Programme automatique 2 (rapide à lent) Programme automatique 3 (rapide à lent) Programme automatique 4 (rapide à lent) Programme automatique 5 (rapide à lent) Programme automatique 6 (rapide à lent) Programme automatique 7 (rapide à lent) Programme automatique 8 (rapide à lent) Programme automatique 9 (rapide à lent) Programme automatique 10 (rapide à lent) Allumé
6	Lasers	000 ó 009 010 ó 049 050 ó 089 090 ó 129 130 ó 169 170 ó 209 210 ó 255	Noir général Rouge allumé Vert activé Rouge et vert, stroboscope en alternance Rouge allumé et stroboscope vert Vert allumé et stroboscope rouge Stroboscope rouge et vert
7	Stroboscope Laser (lorsque le canal 6 est compris entre 010 et 255)	000 ó 004 005 ó 254 255	Pas de fonction Stroboscope (rapide à lent) Stroboscope en mode musical
8	Moteur LED (lorsque le canal 2 est compris entre 010 et 255)	000 ó 004 005 ó 127 128 ó 133 134 ó 255	Arrêt Rotation dans le sens des aiguilles d'une montre (lent à rapide) Arrêt Rotation dans le sens contraire des aiguilles d'une montre (lent à rapide)
9	Moteur Laser (quand le canal 6 est compris entre 010 et 255)	000 ó 004 005 ó 127 128 ó 133 134 ó 255	Arrêt Rotation dans le sens des aiguilles d'une montre Arrêt Rotation dans le sens inverse des aiguilles d'une montre



Pour un fonctionnement normal des LED et des lasers via le jeu d'orgues DMX, veillez à ce que le canal 1 soit en mode DMX entre 220 et 255.

Configuration (Autonome)

- Mettez l'appareil en l'un des modes autonomes pour permettre la commande sans jeu d'orgues.
- Branchez l'appareil à une prise adéquate.



Ne connectez jamais un appareil en fonctionnement en mode autonome (qu'il s'agisse du mode statique, automatique ou musical) à une chaîne DMX reliée à un jeu d'orgues DMX. Les unités en mode autonome peuvent émettre un signal DMX pouvant interférer avec les signaux DMX du jeu d'orgues.

Mode Musical

Pour activer le mode musical, faites comme suit :

1. Appuyez sur **<MENU>** jusqu'à ce que clignote **SOU0—SOU6** à l'écran et que le voyant Sound s'allume.
2. Utilisez **<UP>** ou **<DOWN>** pour sélectionner le mode musical désiré.
3. Appuyez sur **<ENTER>** pour faire passer l'appareil dans le mode musical désiré.
4. Lancez la musique et ajustez la molette de sensibilité au son jusqu'à ce que l'unité commence à réagir au rythme de la musique.



L'unité ne répondra qu'aux basses fréquences de la musique (basse et batterie).

En mode musical, après 3 secondes de silence ou de son sous le niveau de sensibilité configuré, le laser passera en noir général.

Mode Automatique

Pour activer le mode automatique, suivez les instructions ci-après :

1. Appuyez sur **<MENU>** jusqu'à ce que clignote **AUT0—AUT6** à l'écran et que le voyant Auto s'allume.
2. Utilisez **<UP>** ou **<DOWN>** pour sélectionner le mode automatique désiré.
3. Appuyez sur **<ENTER>**.
4. À l'aide des boutons **<UP>** et **<DOWN>**, ajustez la vitesse du programme, **S 1** (rapide) à **S100** (lent).
5. Appuyez sur **<ENTER>** pour faire passer l'appareil dans le mode automatique désiré.

Mode Maître/Esclave

Le mode maître/esclave permet à un seul Swarm™ 5 FX (le maître) de commander les actions d'un ou de plusieurs Swarm™ 5 FX (les esclaves) sans recourir à un jeu d'orgues DMX. L'unité maître sera configurée de manière à fonctionner soit en mode automatique soit en mode musical, tandis que les unités esclaves seront configurées en mode esclave. Une fois configurées et connectées, les unités esclaves fonctionneront à l'unisson avec l'unité maître.

Configurez les unités comme indiqué ci-dessous.

Pour chaque unité esclave :

1. Appuyez sur **<MENU>** jusqu'à ce que **SLA** clignote à l'écran et que le voyant Slave s'allume.
2. Appuyez sur **<ENTER>** pour faire passer l'appareil en mode esclave. L'écran continuera à clignoter.
3. Répétez les étapes 1 et 2 pour chaque unité esclave.
4. Connectez la sortie DMX de la première unité esclave à la sortie DMX de la suivante.
5. Connectez l'entrée DMX de l'unité esclave suivante à la sortie DMX de l'unité esclave précédente.



- **Configurez toutes les unités esclaves avant de connecter l'unité maître à la chaîne DMX.**
- **L'écran sur les unités esclaves continuera à clignoter jusqu'à ce que les unités esclaves reçoivent un signal DMX de l'unité maître.**

Pour l'unité maître :

1. Connectez la sortie DMX de la maître à l'entrée DMX de la première unité esclave.
2. Configurez l'unité maître afin qu'elle fonctionne soit en mode automatique soit en mode musical.

- **Placez l'unité maître en début de la chaîne DMX.**



- **Ne connectez jamais de jeu d'orgues DMX à une chaîne DMX configurée en fonctionnement maître/esclave car le jeu d'orgues pourrait interférer avec les signaux de l'unité maître.**
- **Ne connectez jamais plus de 31 unités esclave à l'unité maître.**

5. INFORMATIONS TECHNIQUES

Entretien de l'Appareil

L'accumulation de poussière réduit la sortie de lumière et peut entraîner une surchauffe de l'appareil. Pour un fonctionnement optimal, nettoyez l'appareil au moins deux fois par mois. Les conditions environnementales et d'utilisation peuvent toutefois exiger un nettoyage plus fréquent.

Pour nettoyer le produit, suivez les instructions comme indiquées ci-après :

1. Mettez l'appareil hors tension.
2. Attendez que celui-ci soit à température de la pièce.
3. Utilisez un aspirateur (ou de l'air comprimé sec) et une brosse douce pour enlever la poussière accumulée sur les surfaces et ventilations externes.
4. Nettoyez le panneau de verre (ouverture du laser) avec un nettoyant pour vitre ou de l'alcool isopropylique.
5. Appliquez la solution directement sur un tissu doux en coton non pelucheux ou un tissu optique.
6. Nettoyez en douceur toute trace de saleté ou d'impureté vers les bords extérieurs des surfaces en verre.
7. Polissez en douceur ces surfaces jusqu'à ce que toute peluche ou trace ait disparu.



Assurez-vous de bien sécher toutes les surfaces en verre après les avoir nettoyées.

6. SPÉCIFICITÉS TECHNIQUES

Dimensions et Poids	Longueur	Largeur	Hauteur	Poids
	9,75 pouces (248 mm)	11,7 pouces (298 mm)	12,2 pouces (310 mm)	9,8 lb (4,5 kg)
À noter : Les dimensions en pouces sont arrondies à la décimale la plus proche.				
Alimentation	Tension d'Entrée	Plage	Sélection de Puissance	
	Commutation (interne)	100 à 240 VCA, 50/60 Hz	Universelle	
	Paramètre	120 V, 60 Hz	230 V, 50 Hz	
	Consommation	62 W	66 W	
	Courant de fonctionnement	0,5 A	0,3 A	
	Courant de chaînage (unités)	8 A (15 unités)	8 A (26 unités)	
	Fusible	T 1,6 A, 250 V	T 1,6 A, 250 V	
	E/S d'alimentation	États-Unis/Monde entier	Royaume-Uni/Europe	
	Prise du cordon d'alimentation	Edison (États-Unis)	Prise locale	
Source Lumineuse Laser	Type	Alimentation	Longueur d'Onde	
	Laser (vert)	50 mW	532 nm	
	Laser (rouge)	100 mW	650 nm	
Source Lumineuse LED	Type	Alimentation	Durée de Vie	
	LED	3 W	50 000 heures	
	Couleur	Quantité	Courant	
	Rouge	1	300 mA	
	Vert	1	300 mA	
	Bleu	1	300 mA	
	Ambre	1	300 mA	
Blanc	1	300 mA		
Source Lumineuse Stroboscope	Type	Alimentation	Durée de Vie	
	LED	1 W	50 000 heures	
	Couleur	Quantité	Courant	
	Blanc	8	300 mA	
Photo-optique	Paramètre			
	Angle de couverture du faisceau laser	100°		
	Angle de couverture du faisceau laser	65°		
	Angle de champ (stroboscope)	35°		
	Angle de faisceau (stroboscope)	17°		
	Cadence de clignotement du stroboscope	0 à 20 Hz		
	Éclairement lumineux à 2 mètres (stroboscope)	823 lx		
Thermique	Température externe maximum du laser	Système de refroidissement		
	35 °C (95 °F)	Convection		
DMX	Connecteurs E/S	Type de connecteur	Plage de canal	
	XLR 3 broches	Prises	9	
Commander	Nom de l'Appareil	Code de l'Article	Code UPC	
	Swarm™ 5 FX	10050765	781462211134	



RENOIS

Pour assistance ou renvoi d'un produit :

- Si vous résidez aux États-Unis, contactez le siège mondial de Chauvet (voir [Nous Contacter](#)).
- Si vous vivez au Royaume-Uni ou en Irlande, contactez Chauvet Europe Ltd. (voir [Nous Contacter](#)).
- Si vous vivez au Mexique, contactez Chauvet Mexico (voir [Nous Contacter](#)).
- Si vous vivez au Benelux, contactez Chauvet Europe BVBA (voir [Nous Contacter](#)).
- Si vous résidez n'importe où ailleurs, NE contactez pas Chauvet. Veuillez plutôt contacter votre revendeur local. Rendez-vous sur www.chauvetlighting.com pour découvrir la liste des revendeurs en dehors des États-Unis, du Royaume-Uni, de l'Irlande, de Mexique, et de Benelux.



Si vous résidez en dehors des États-Unis, du Royaume-Uni, l'Irlande, de Mexique, et de Benelux, contactez votre revendeur et suivez ses instructions quant à la procédure à suivre pour renvoyer votre appareil. Consultez notre site Web pour en trouver les coordonnées.

Téléphonez au centre d'assistance technique de Chauvet correspondant et demandez un numéro d'autorisation de retour (NAR) avant de nous réexpédier l'appareil. Pour l'obtenir, il vous sera demandé de fournir le numéro du modèle, le numéro de série ainsi qu'une brève description de l'objet du retour.

Envoyez la marchandise en port prépayé, dans son conditionnement d'origine, avec son emballage et ses accessoires d'origine. Chauvet ne délivrera pas d'étiquettes de renvoi.

Indiquez lisiblement le NAR sur une étiquette apposée sur le colis. Chauvet refusera la réception de tout appareil pour lequel aucun NAR n'a été demandé.



Inscrivez le NAR sur une étiquette convenablement collée. N'écrivez PAS le NAR directement sur le colis.

Avant de nous retourner le colis, inscrivez les informations suivantes, de manière lisible, sur une feuille de papier, que vous placerez à l'intérieur du colis :

- Votre nom
- Votre adresse
- Votre numéro de téléphone
- Le numéro NAR
- Une courte description du problème



Veillez à emballer l'appareil de manière adéquate. Vous serez tenu responsable de tout dommage survenant lors de l'expédition de retour dû à un emballage inadéquat. Nous vous recommandons d'utiliser un emballage double ou celui de FedEx.

Chauvet se réserve le droit, à sa convenance, de réparer ou remplacer tout appareil qui lui est retourné.

NOUS CONTACTER SIÈGE SOCIAL MONDIAL - Chauvet

Informations Générales

Adresse : 5200 NW 108th Avenue
Sunrise, FL 33351

Téléphone:(954) 577-4455

Télécopie:(954) 929-5560

N° vert : (800) 762-1084

Support Technique

Téléphone : (954) 577-4455

(appuyer sur 4)

Télécopie : (954) 756-8015

E-mail : tech@chauvetlighting.com

Site Web www.chauvetlighting.com

ROYAUME-UNI ET L'IRLANDE - Chauvet Europe Ltd.

Informations Générales

Adresse: Unit 1C
Brookhill Road Industrial Estate
Pinxton, Nottingham, UK
NG16 6NT

Téléphone:+44 (0)1773 511115

Télécopie:+44 (0)1773 511110

Support Technique

E-mail: uktech@chauvetlighting.com

Site Web www.chauvetlighting.co.uk

MEXIQUE - Chauvet Mexico

Informations Générales

Adresse: Av. Santa Ana 30
Parque Industrial Lerma
Lerma, Mexico C.P. 52000

Téléphone:+52 (728) 285-5000

Support Technique

E-mail: servicio@chauvet.com.mx

Site Web www.chauvet.com.mx

CHAUVET EUROPE - Chauvet Europe BVBA

Informations Générales

Adresse: Stokstraat 18
9770 Kruishoutem
Belgium

Téléphone: +32 9 388 93 97

Support Technique

E-mail: Eutech@chauvetlighting.eu

Site Web www.chauvetlighting.eu

En dehors des États-Unis, du Royaume-Uni, de l'Irlande, du Mexique, ou du Benelux, contactez votre revendeur. Suivez leurs instructions pour accéder à l'assistance ou pour renvoyer un produit. Consultez notre site web pour les coordonnées.

1. ERSTE SCHRITTE

Packungs- inhalt

- Swarm™ 5 FX
- Externes Netzkabel
- Garantiekarte
- Bedienungsanleitung

Anweisungen für das Auspacken

Packen Sie das Produkt sofort vorsichtig aus und überprüfen Sie, ob Sie alle Teile unbeschädigt erhalten haben.

Schadens- meldung




Wenn die Verpackung oder die in der Verpackung befindlichen Teile (Gerät und Zubehör) beschädigt sind oder Mängel durch nicht einwandfreie Behandlung aufweisen, benachrichtigen Sie umgehend das Transportunternehmen, nicht jedoch Chauvet. Eine nicht zeitnah erfolgte Benachrichtigung kann dazu führen, dass Sie Ihren Gewährleistungsanspruch gegenüber dem Transportunternehmen verlieren. Bewahren Sie überdies die Verpackung für eine spätere Überprüfung auf.

Bei anderen Problemen wie etwa fehlende Komponenten oder Teile, Schäden, die nicht durch den Transport entstanden sind, oder nicht offensichtliche Schäden, machen Sie Ihren Anspruch gegenüber Chauvet innerhalb von 7 Tagen ab Lieferung der Waren geltend.

Konventionen des Handbuchs

Konvention	Bedeutung
1-512	Eine Bandbreite an Werten
50/60	Ein Wertesatz, aus dem nur ein Wert ausgewählt werden kann
Einstellungen	Eine Menüoption, die nicht geändert werden kann
Menu > Settings	Eine Sequenz von Menüoptionen, die befolgt werden muss
<ENTER>	Eine zu betätigende Taste auf dem Bedienfeld des Geräts
EIN	Ein Wert, der eingegeben oder ausgewählt werden muss

Symbole

Symbol	Bedeutung
	Wichtige Informationen zur Installation, Konfiguration und zum Betrieb. Bei Nichtbeachtung dieser Informationen kann es zu Fehlfunktionen oder Beschädigungen des Geräts oder zu Verletzungen des Bedieners kommen.
	Wichtige Informationen zur Installation oder Konfiguration. Wenn diese Informationen nicht beachtet werden, kann es zu Fehlfunktionen kommen.
	Nützliche Informationen

Haftungs- ausschluss

Die in dieser Anleitung aufgeführten Informationen und Spezifikationen können ohne vorherige Ankündigung geändert werden. Chauvet ist nicht verantwortlich und haftet nicht für in dieser Bedienungsanleitung auftretende Fehler oder Ungenauigkeiten, und es behält sich das Recht vor, jederzeit Änderungen an dieser Bedienungsanleitung vorzunehmen. Laden Sie sich die neueste Version hier herunter: <http://www.chauvetlighting.com/product-manuals-literature/>.

© Copyright 2015 Chauvet. Alle Rechte vorbehalten.

In den USA von Chauvet elektronisch veröffentlicht.

Verfasser	Datum:	Herausgeber:	Datum:
M. Trouard	06.04.2015	A. Leon	06.04.2015

Sicherheits- hinweise

Diese Anleitung enthält wichtige Sicherheits- und Betriebshinweise über das Lasersystem. Alle Anweisungen vor der ersten Inbetriebnahme lesen und verstehen, um Augenverletzungen und Verstöße gegen Gesetze zu vermeiden. Die Kenntnis der Sicherheitshinweise ist wichtig, um Augenverletzungen durch Laserstrahlen und Gesetzesverstöße zu vermeiden. Bitte heben Sie diese Bedienungsanleitung zur späteren Einsicht an einem sicheren Ort auf.



STOPPEN SIE HIER UND LESEN SIE SICH ALLE SICHERHEITSANWEISUNGEN BEZÜGLICH DER LASERSICHERHEIT UND DER SPEZIFIKATIONEN DURCH



- Laserstrahlen sind gefährlich und bedürfen besonderer Sicherheitsvorkehrungen. Bei falschem Gebrauch kann Blindheit und dauerhafter Augenschaden die Folge sein. Bitte beachten Sie ALLE Sicherheitshinweise und Warnungen in dieser Anleitung. Alle Anweisungen genau durchlesen, BEVOR Sie das Gerät in Betrieb nehmen.
- Schließen Sie dieses Gerät immer an die Masse an, um die Gefahr elektrischer Schläge zu reduzieren.
- Trennen Sie das Gerät von der Stromquelle, bevor Sie es reinigen.
- Bei eingeschaltetem Gerät direkten Augenkontakt mit der Lichtquelle vermeiden.
- Stellen Sie sicher, dass das Netzkabel nicht gequetscht oder beschädigt ist.
- Ziehen Sie beim Trennen des Geräts von der Stromversorgung nie am Kabel.
- Verwenden Sie für die Montage der Effektgeräte über Kopf immer ordnungsgemäße Sicherheitskabel.
- Stellen Sie sicher, dass das Gerät mit einem Sicherheitsabstand zu entzündlichen Materialien betrieben wird.
- Niemals während des Betriebs das Gehäuse berühren, da dies sehr heiß wird.



- Dieses Produkt eignet sich nicht für eine permanente Installation.
- Die Spannung der Schukosteckdose, an die Sie das Gerät anschließen, muss sich innerhalb des Spannungsbereiches befinden, der auf dem Hinweisschild oder dem rückwärtigen Bedienfeld des Geräts angegeben ist.
- Dieses Gerät darf nur im Innenbereich verwendet werden. (IP20) Um das Risiko von Bränden oder elektrischen Schlägen zu vermeiden, dürfen Sie das Gerät nicht Regen oder Feuchtigkeit aussetzen.
- Installieren Sie das Gerät immer an einem Ort mit ausreichender Belüftung und mit einem Abstand von 50 cm zu den angrenzenden Flächen.
- Stellen Sie sicher, dass die Lüftungsöffnungen am Gehäuse des Geräts nicht verschlossen sind.
- Schließen Sie dieses Gerät niemals an einen Dimmer an.
- Heben Sie das Produkt zum Tragen nur am Hänge-/Befestigungsbügel an.
- Vermeiden Sie wiederholtes Ein- und Ausschalten des Geräts innerhalb eines kurzen Zeitraums. Dadurch wird die Lebensdauer der Laserdiode reduziert.
- Dieses Gerät nicht schütteln. Vermeiden Sie, bei der Montage oder dem Betrieb des Geräts übermäßige Gewalt anzuwenden.
- STETS angemessene Sicherheitskabel zum Aufhängen von Lichteffektgeräten verwenden.
- Die Betriebsumgebungstemperatur des Lasers beträgt 59 °F bis 95 °F (15 °C bis 35 °C). Dieses Produkt nicht außerhalb dieses Bereichs zu betreiben.
- Bei ernsthaften Betriebsproblemen stoppen Sie umgehend die Verwendung des Geräts.
- Versuchen Sie nie selbst, dieses Gerät zu reparieren. Reparaturen müssen von entsprechend geschultem Fachpersonal durchgeführt werden, da sonst Schäden oder Fehlfunktionen auftreten können. Wenden Sie sich an den nächsten Technischen Support.



- Vermeiden Sie direkten Augenkontakt mit dem Laserstrahl. Niemals absichtlich Ihre Augen oder die Augen anderer Personen direktem Laserlicht aussetzen.
- Der Laserstrahl kann sofort Ihre Augen verletzen oder zu Blindheit führen, wenn er direkt ins Auge fällt.
- Es ist verboten und gefährlich, den Laserstrahl aufs Publikum zu richten, wo das Licht oder die Reflexion des Lichtstrahls Personen ins Auge treffen kann.
- Niemals den Laserstrahl auf Flugzeuge richten.
- Sie setzen sich gefährlichen Strahlungen aus, wenn Sie Einstellungen oder Arbeiten am Gerät vornehmen, die nicht ausdrücklich in dieser Anleitung erwähnt sind.
- Um unnötigen Verschleiß zu vermeiden und die Lebensdauer des Geräts zu verlängern, trennen Sie während längerer Perioden des Nichtgebrauchs das Gerät vom Stromnetz – entweder per Trennschalter oder durch Herausziehen des Steckers aus der Steckdose.
- **Versuchen Sie NICHT, selbst Reparaturen durchzuführen. Bei Reparaturbedarf wenden Sie sich bitte an Ihren Fachhändler. Aus Gründen der Sicherheit sind nicht autorisierte Änderungen am Gerät unzulässig!**



- **Bitte heben Sie diese Bedienungsanleitung zur späteren Einsicht auf. Achten Sie bei einem Eigentümerwechsel des Geräts darauf, dass dieses Dokument am Lasergerät verbleibt.**

Achtung! Kein Schutz bei geöffnetem Gehäuse

- Das Gerät enthält Laser mit hohen Leistungen.
- Öffnen Sie nicht das Gehäuse des Lasers, da Sie sich sonst einer gesundheitsschädlichen Laserstrahlung aussetzen könnten.
- Die Laserstrahlungsklassen können, wenn das Gerät geöffnet ist, zu Erblindung, Hautverbrennungen und Feuer führen.

Hinweise zur Lasersicherheit



STOPPEN SIE HIER UND LESEN SIE SICH ALLE NACHSTEHENDEN SICHERHEITSANWEISUNGEN BEZÜGLICH DER LASERSICHERHEIT UND DER SPEZIFIKATIONEN DURCH



Laserlicht hat nichts mit anderen Lichtquellen, die sie vielleicht kennen, zu tun. Das Licht dieses Produktes kann Augenverletzungen verursachen, wenn es nicht richtig installiert und bedient wird. Laserlicht ist mehrere tausend Male konzentrierter als jede andere Lichtquelle. Diese hohe Konzentration kann zu sofortigen Augenverletzungen führen, insbesondere zur Verbrennung der Netzhaut. Selbst wenn Sie keine „Hitze“ vom Laserstrahl spüren, kann er trotzdem Blindheit verursachen. Sogar ganz geringe Mengen von Laserstrahlen auf lange Entfernungen sind gefährlich.

Es ist **FALSCH** zu denken, dass der einzelne Strahl fürs Auge ungefährlich ist, weil diese Produkte der Unterhaltungselektronik den Strahl in hunderte von Strahlen teilen oder bei hoher Geschwindigkeit durch den Raum schießen. Dieses Laserprodukt verwendet Dutzende von Milliwatt Laserleistung (Klasse 3B Laser). Viele der einzelnen Strahlen stellen eine potenzielle Gefahr dar.

Es ist ebenfalls **FALSCH** zu glauben, dass der Laserstrahl harmlos ist, weil er sich bewegt. Das ist nicht wahr und außerdem bewegt er sich auch nicht ständig. Da Augenverletzungen sofort auftreten, ist es lebenswichtig, die Möglichkeit von eventuellem, direktem Augenkontakt völlig auszuschließen. In den Sicherheitsbestimmungen für Laser ist es illegal, einen Laser der Klasse 3B auf Bereiche zu richten, wo sich Personen befinden können. Dies gilt auch, wenn der Strahl unterhalb von den Augen der Menschen, z. B. auf den Tanzboden gerichtet ist.

- Betreiben Sie den Laser nicht, ohne zunächst die in dieser Bedienungsanleitung aufgeführten Sicherheits- und technischen Daten gelesen und verstanden zu haben.
- Installieren Sie die Lasereffekte IMMER so, dass alle Laserstrahlen mindestens 3 Meter (9,8 Fuß) über dem Boden verlaufen, auf dem Leute stehen können. Siehe den Abschnitt „Bestimmungsgemäße Verwendung“ in dieser Anleitung.
- Nach der Montage und vor der Inbetriebnahme in der Öffentlichkeit, testen Sie, ob das Gerät einwandfrei funktioniert. Falls ein Defekt auftritt, darf das Gerät nicht benutzt werden.
- Auch nicht benutzen, wenn der Laser nur einen oder zwei Laserstrahlen statt Dutzende/Hunderte ausstrahlt, da dies auf eine Beschädigung der Beugungsgitteroptik hinweisen kann und eine Laserstrahlung erzeugen könnte, die über der Klasse 3R liegt.
- Den Laserstrahl NIEMALS auf Menschen oder Tiere richten.
- NIEMALS in die Laseraustrittsöffnung oder einen Laserstrahl blicken.
- Den Laserstrahl NICHT auf Bereiche richten, wo Menschen möglicherweise dem Strahl ausgesetzt werden können.
- Den Laser NIEMALS auf stark reflektierende Oberflächen richten, wie Fenster, Spiegel und glänzendes Metall. Sogar reflektierte Laserstrahlen können gefährlich sein.
- Den Laser niemals auf Flugzeuge richten, da dies einen Verstoß gegen geltendes Recht darstellt.
- Niemals unbegrenzte Laserstrahlen in den Himmel richten.
- Niemals die Austrittsoptik chemischen Reinigungsmitteln aussetzen.
- Niemals den Laser verwenden, wenn das Gehäuse beschädigt oder offen ist oder die Optik auf irgendeiner Art beschädigt ist.
- Niemals das Gehäuse des Lasers öffnen. Die hohe Laserleistung im Gehäuse kann Feuer, Hautverbrennungen und Augenverletzungen verursachen.
- Das Gerät niemals ohne Aufsicht laufen lassen.
- Der Betrieb eines Showlasers der Klasse 3B ist zu zulässig, wenn das Gerät von einem ausgebildeten Fachmann betrieben wird, der mit den Informationen in dieser Anleitung vertraut ist.
- Die rechtlichen Anforderungen an die Verwendung von Laserprodukten für die Unterhaltungsindustrie sind länderspezifisch. Die gesetzlichen Vorschriften zum Gebrauch von Lasern in der Unterhaltungselektronik ist von Land zu Land verschieden. Der Benutzer ist für die Einhaltung der gesetzlichen Vorschriften verantwortlich.

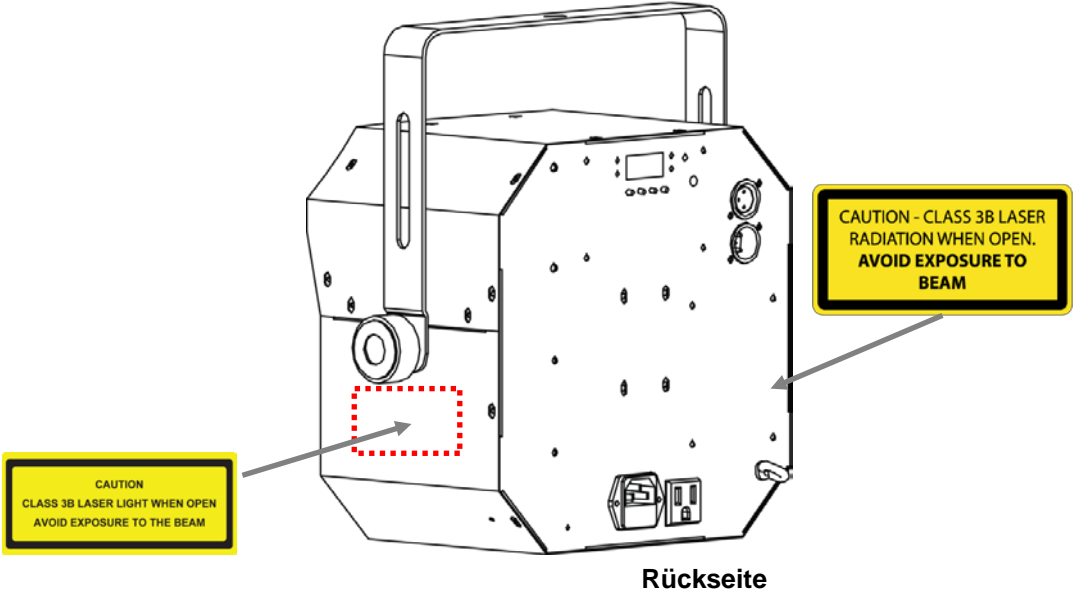
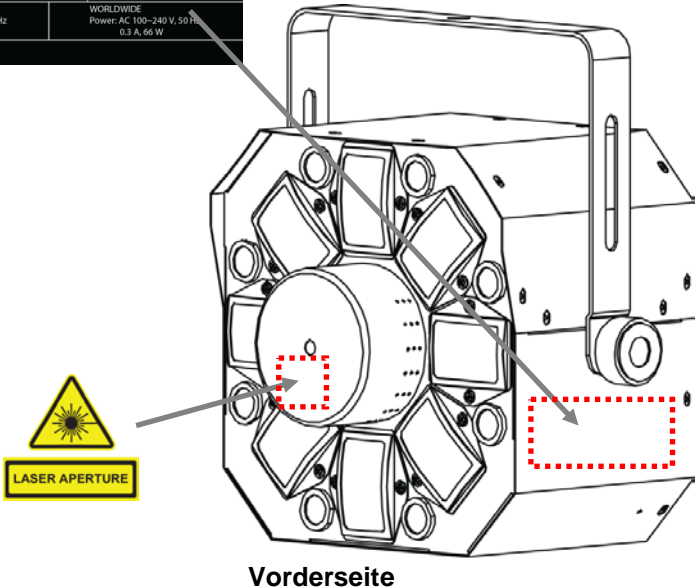


VORSICHT! Dieses Gerät darf nicht auf eine andere Art betrieben werden, als in dieser Bedienungsanleitung beschrieben. Wenn das Gerät in einer anderen Weise als in dieser Anleitung beschrieben, betrieben wird, kann der Produkt Schäden erleiden es kann zu Verletzungen beim Benutzer oder Publikum kommen und jeglicher Garantieanspruch verfällt.

VORSICHT! Dieses Produkt darf nicht über den Hausmüll entsorgt werden. Weitere Informationen zu den Vorschriften in Ihrem Gebiet erhalten Sie bei den zuständigen Abfallbehörden.

Warn- und Sicherheits Schilder auf dem Lasergerät

		LASER LIGHT AVOID DIRECT EYE EXPOSURE CLASS 3R LASER PRODUCT 50 mW, 532 nm / 100 mW, 650 nm Classified per EN/IEC 60825-1:2007	
CHAUVET WORLDWIDE HEADQUARTERS SUNRISE, FLORIDA USA			
CHAUVET Value · Innovation · Performance			
MODEL: Swarm™ 5 FX	ITEM CODE: 10050765	THIS APPLIANCE MUST BE GROUNDIED USE ONLY FUSE OF SAME TYPE & RATING NOT FOR HOUSEHOLD USE IMPROPRE A L'USAGE DOMESTIQUE DRY LOCATIONS EMPLACEMENTS SECS DISCONNECT POWER BEFORE SERVICING.	
FUSE: T 1/4 A, 250 V	MAX. OUTPUT CURRENT: 8 A (15 units @ 120V) (26 units @ 230V)		
LIGHT SOURCE: LED, LASER	ORIGIN: MADE IN P.R.C.		
USA/CANADA Power: AC 100–125 V, 60 Hz 0.3 A, 62 W	WORLDWIDE Power: AC 100–240 V, 50 Hz 0.3 A, 66 W		



Warnung vor LASERSTRAHLEN DIE AUGEN NICHT DIREKTEN STRAHLEN AUS Laserstrahlen SETZEN



Weitere Richtlinien und Programme zur sicheren Benutzung von Lasergeräten finden Sie in der Norm ANSI Z136.1 "For Safe Use of Lasers", die vom Laser Institute of America: www.laserinstitute.org bezogen werden kann. Viele lokale Behörden, Unternehmen, Agenturen, das Militär und andere Einrichtungen erfordern eine Benutzung von Lasergeräten gemäß der Norm ANSI Z136.1. Die Richtlinie "Laser Display" kann über die International Laser Display Association: www.laserist.org bezogen werden.

Laseremissionsdaten

Gemäß der Messung unter den IEC-Messbedingungen zur Klassifizierung.

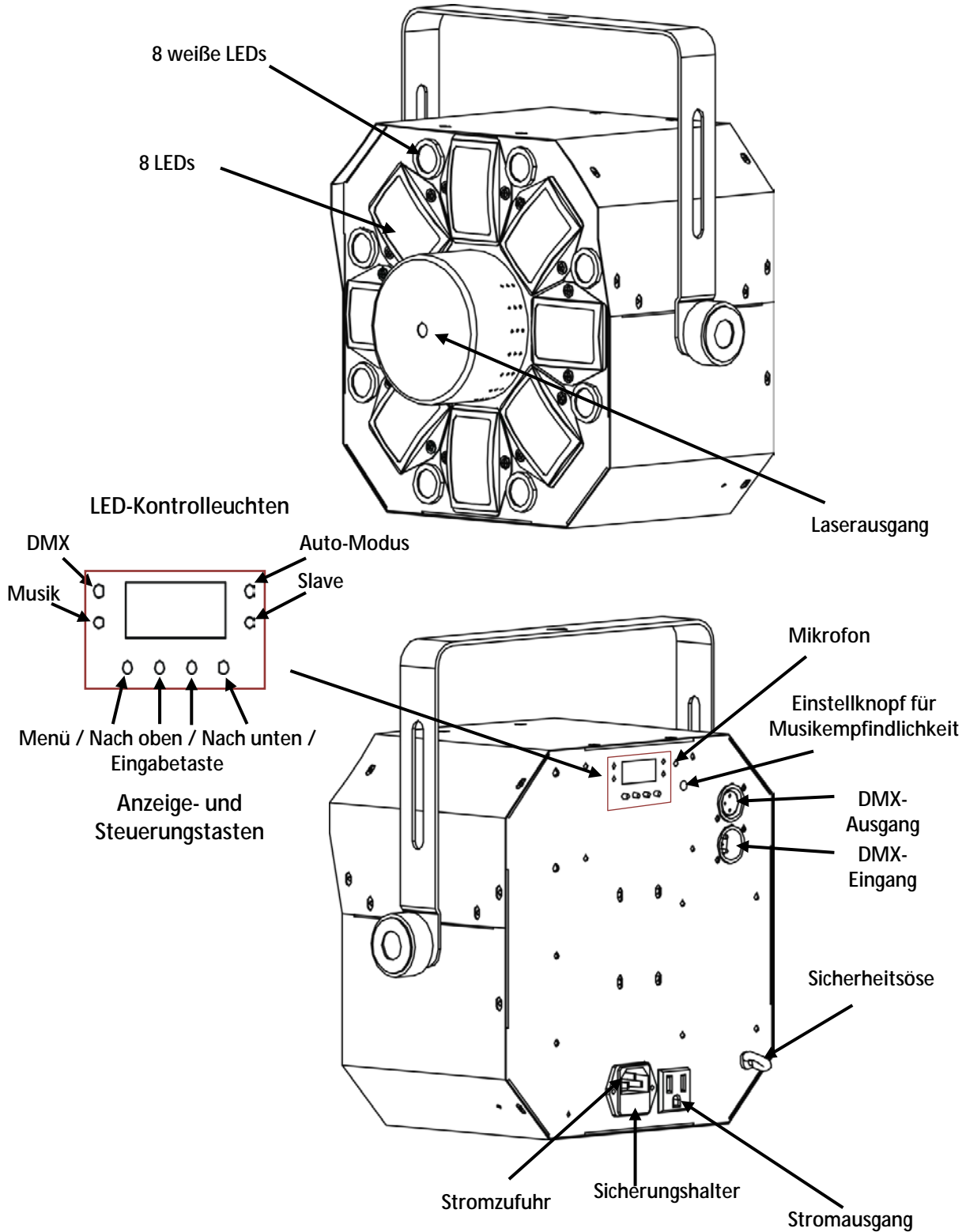
Laserklassifizierung	Klasse 3R
Grüner Laser	DPSS Nd:YVO4, 532 nm/50 mW
Roter Laser	LD GaAlAs, 650 nm/100 mW
Strahldurchmesser	<5 mm am Austritt
Impulsdaten	Alle Impulse < 4 Hz (>0,25 Sek.)
Streuverlust (jeder Strahl)	<2 mrad
Streuverlust (Gesamtlicht)	<160 Grad
Laserleistung jedes Strahls am Austritt	<5 mW

Laser-Konformitätserklärung

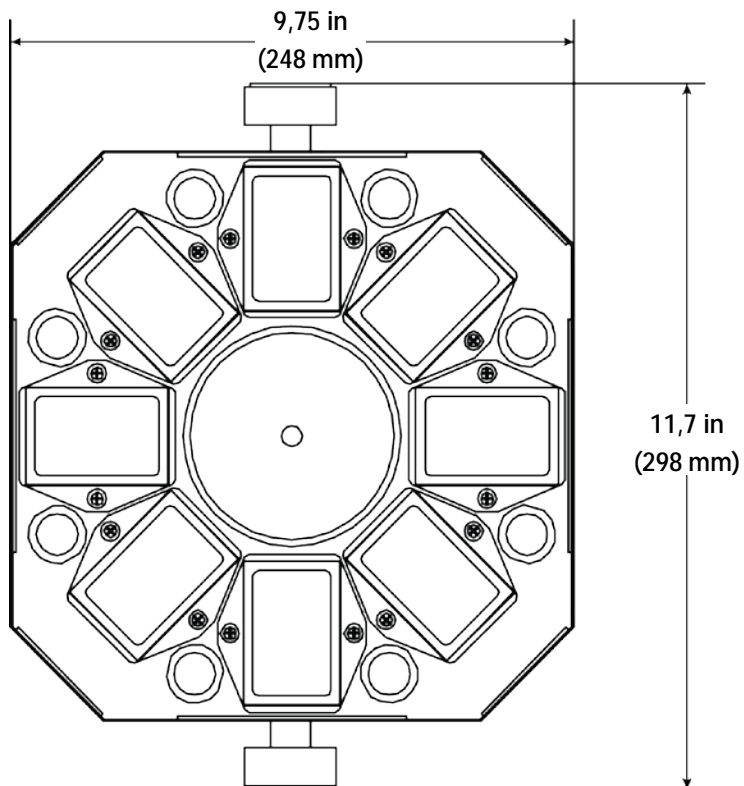
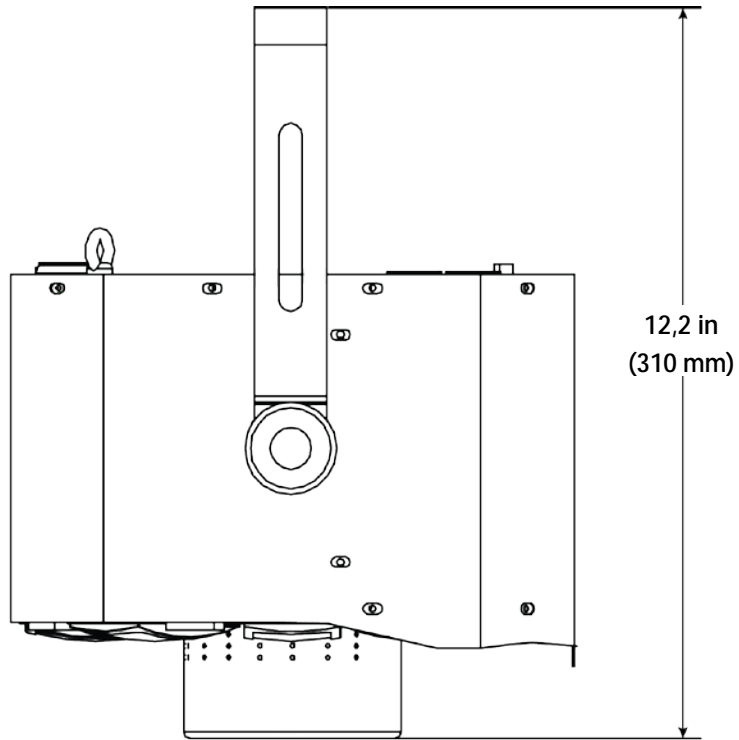
Diese Lasergerät entspricht EN/IEC 60825-1 Ed 2, 2007-03 und den US-Bestimmungen FDA/CDRH FLPPS per den Bestimmungen der Laser Notice Nr. 50, vom 24. Juni 2007. Dieses Lasergerät ist ein Produkt der Klasse 3R. (Klasse 3R ist international gleichwertig mit der US-Klasse IIIa.) Zur Wahrung der Konformität des Geräts bezüglich der Laserleistungsstandards sind keine Wartungsarbeiten erforderlich.

2. EINLEITUNG

Überblick



Abmessungen



3. EINRICHTEN DES GERÄTS

Wechselstrom Der Swarm™ 5 FX verfügt über ein Vorschaltgerät, das automatisch die anliegende Spannung erkennt, sobald der Netzstecker in die Schukosteckdose gesteckt wird, und kann mit einer Eingangsspannung von 100~240 V AC, 50/60 Hz arbeiten.

Um die erforderlichen Kennzahlen des Netzanschlusses (Leistungsschalter, Wandsteckdose und Netzkabel) zu ermitteln, verwenden Sie den aktuellen Wert, der sich auf dem Hinweisschild auf der Rückseite des Geräts befindet oder entnehmen diese der Tabelle der „Technischen Daten“. Die aktuell aufgeführten Werte entsprechen dem durchschnittlichen Stromverbrauch des Geräts unter normalen Bedingungen.



- **Schließen Sie dieses Gerät nur an einen abgesicherten Stromkreislauf (Leistungsschalter oder Sicherung) an. Stellen Sie sicher, dass das Gerät entsprechend an die Masse angeschlossen ist, um die Gefahr elektrischer Schläge oder eines Brands zu vermeiden.**
- **Um unnötigen Verschleiß zu vermeiden und die Lebensdauer des Geräts zu verlängern, trennen Sie während längerer Perioden des Nichtgebrauchs das Gerät vom Stromnetz – entweder per Trennschalter oder durch Herausziehen des Steckers aus der Steckdose.**



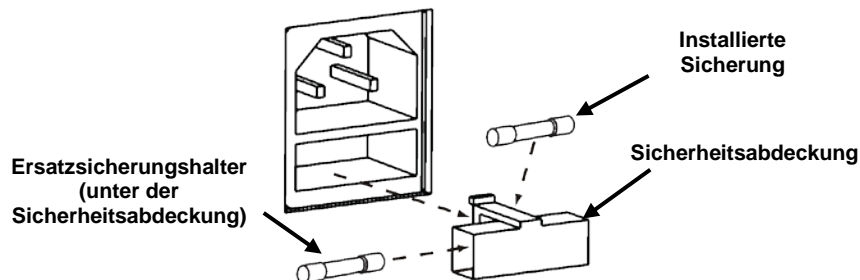
Schließen Sie dieses Gerät niemals an einen Regelwiderstand oder Dimmer an, auch nicht, wenn der Regelwiderstand oder Dimmer nur als 0 bis 100% Schalter dient.

Auswechseln der Sicherung

1. Trennen Sie das Gerät vom Stromnetz.
2. Klemmen Sie die Spitze eines Flachkopfschraubendrehers in den Schlitz des Sicherungshalters.
3. Hebeln Sie den Sicherungshalter vom Gehäuse weg ab.
4. Entfernen Sie die durchgebrannte Sicherung aus der Halterung.
5. Die Sicherung darf nur durch eine vollkommen gleichwertige ersetzt werden.
6. Setzen Sie die Sicherung wieder ein, und schließen Sie das Gerät an das Stromnetz an.



Trennen Sie das Gerät von der Stromquelle, bevor Sie die Sicherung auswechseln.



Reihenschaltung der Geräte

Eine Serienschaltung ist der Zusammenschluss mehrerer Geräte für eine Show an den Stromeingängen und -ausgängen, sodass mehrere Geräte über eine Wandsteckdose versorgt werden können.

Bis zu 15 Swarm™ 5 FX-Geräte lassen sich bei 120 V, und bis zu 26 Swarm™ 5 FX-Geräte lassen sich bei 230 V zusammenschließen.

Die nachstehende Tabelle zeigt den Ablauf der Serienschaltung an.

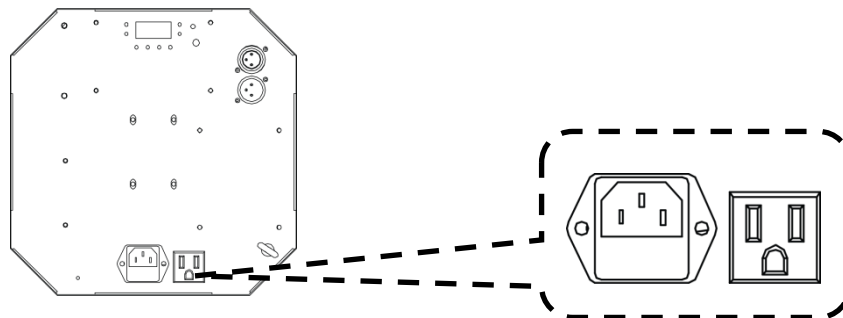
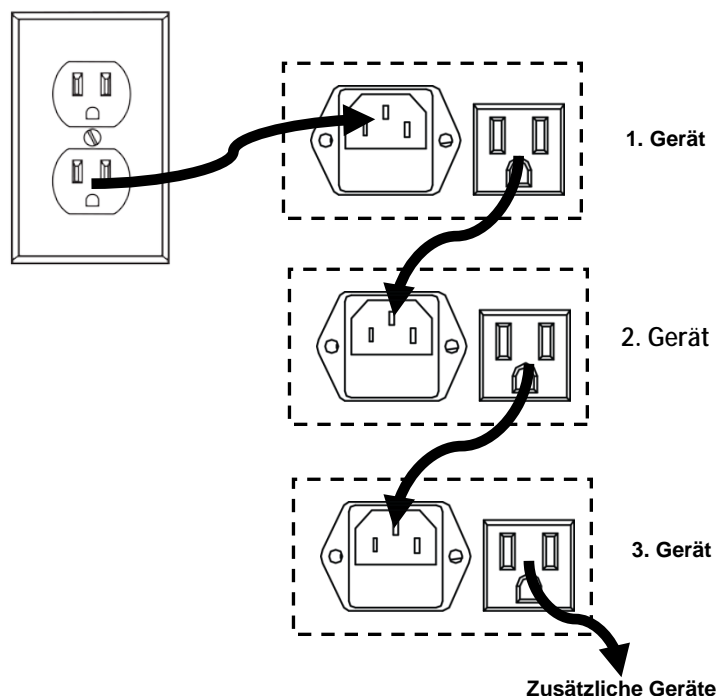


Abbildung für Serienschaltung



Nicht mehr als 15 Swarm™ 5 FX-Geräte lassen sich bei 120 V zusammenschließen.
Nicht mehr als 26 Swarm™ 5 FX-Geräte lassen sich bei 230 V zusammenschließen.



Die obere Abbildung für Serienschaltung entspricht nur den Produktversionen für den nordamerikanischen Markt.

Die Serienschaltung von Geräten ist länder- und regionsspezifisch.

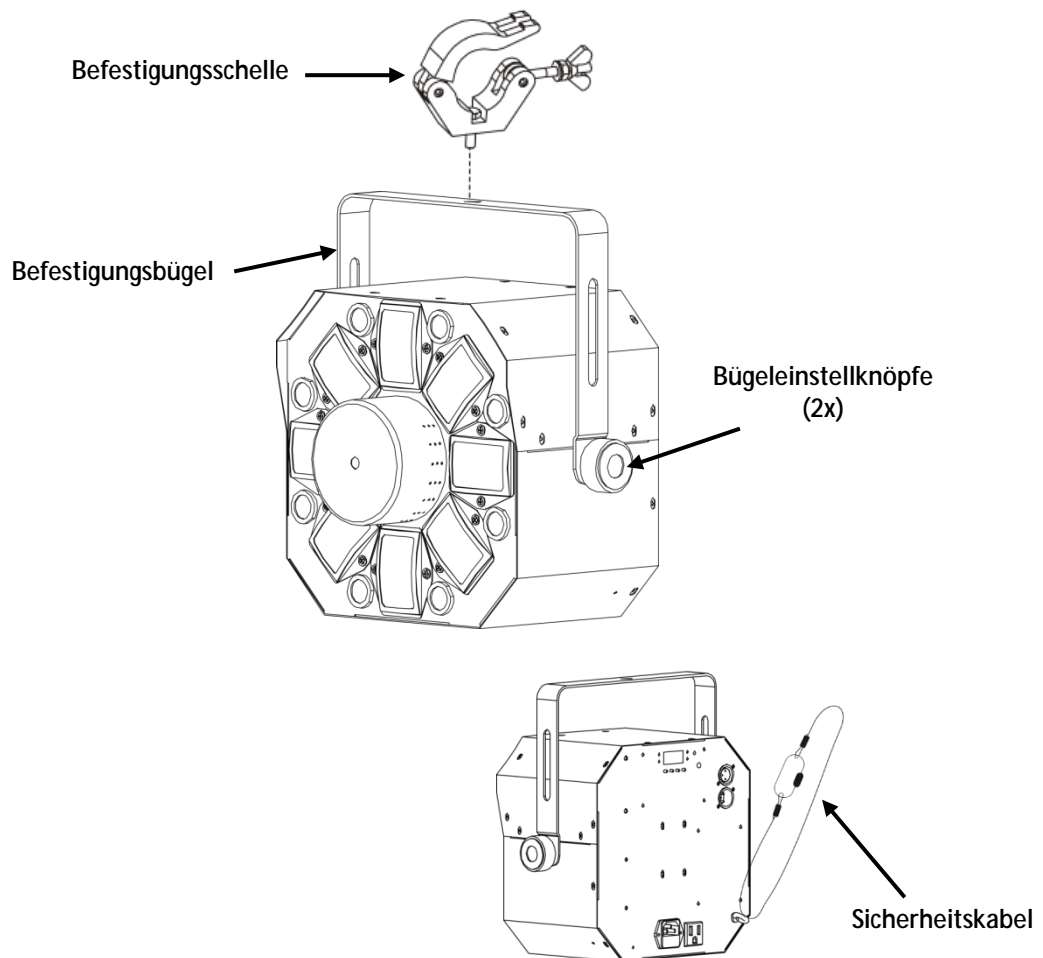
Wenn Sie dieses Produkt außerhalb von Nordamerika verwenden, wenden Sie sich an den lokalen Distributor von Chauvet.

Montage Lesen Sie vor der Montage des Geräts die in den [Sicherheitshinweisen](#) enthaltenen Sicherheitsempfehlungen durch. Mindestens einen Befestigungspunkt pro Gerät verwenden. Stellen Sie sicher, dass die Befestigungsklemme (wie die **CLP-15** von Chauvet) dafür ausgelegt sind, das Produktgewicht tragen zu können. Informationen zu unserer Chauvet-Produktlinie für Befestigungsklemmen finden Sie unter www.chauvetlighting.com/cables-clamps-main.html.

Montagerichtung Der Swarm™ 5 FX muss in einer Position befestigt werden, die einen sicheren Betrieb des Lasers erlaubt. Sorgen Sie zudem dafür, dass das Gerät ausreichend belüftet ist.

- Hängende Montage**
- Bevor Sie sich für eine Montagestelle entscheiden, müssen Sie bedenken, dass das Gerät zur Wartung und Programmierung immer leicht zugänglich ist.
 - Stellen Sie sicher, dass die Struktur oder Oberfläche, an oder auf die Sie das Gerät montieren, dessen Gewicht tragen kann (siehe [Technische Daten](#)).
 - Verwenden Sie für die Montage des Geräts über Kopf immer ordnungsgemäße Sicherheitskabel, wie etwa das von Chauvet verfügbare **CH-05**. Befestigen Sie das Gerät sicher an einem Aufhängepunkt, was etwa ein erhöhtes Podest oder ein Gerüstelement sein kann.
 - Verwenden Sie bei der Befestigung an ein Gerüstelement eine Befestigungsschelle mit der erforderlichen Tragfähigkeit. Der Bügel verfügt dazu über mehrere 13 mm große Löcher.
 - Mit den Bügeleinstellknöpfen lässt sich die winklige Ausrichtung des Geräts justieren. Die Bügeleinstellknöpfe nur manuell lösen und festschrauben. Bei der Verwendung von Hebelwerkzeugen können die Bügeleinstellknöpfe beschädigt werden.

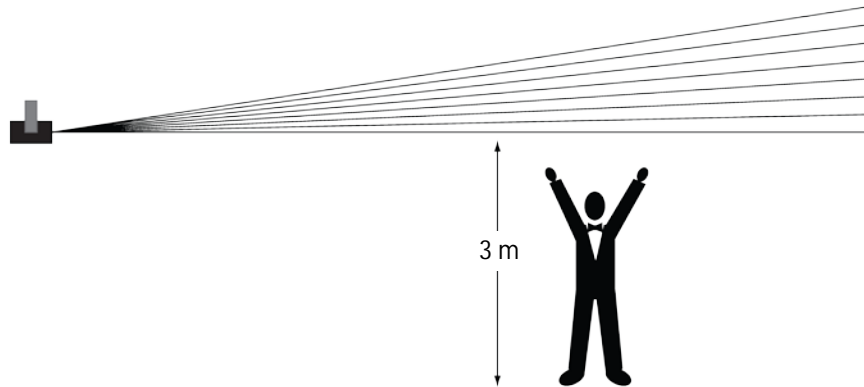
Montageansicht



Bestimmungsgemäße Verwendung

Das Gerät muss aufgehängt werden. Aus Sicherheitsgründen ist es empfehlenswert, den Lichteffekt auf festen, erhöhten Plattformen oder an festen Befestigungsstützen mit geeigneten Befestigungsschellen zu befestigen. Verwenden Sie immer Sicherheitskabel. Geeignetes Material erhalten Sie bei Ihrem Fachhändler für Lichteffektgeräte.

Internationale Laser-Sicherheitsbestimmungen verlangen, dass Laser wie unten abgebildet eingesetzt werden, in einer Mindesthöhe von 3 m über dem Boden. Hinzu kommt ein horizontaler Abstand von 3 m zwischen Laser und Publikum.



VORSICHT! Die Ausführung von Befehlen, Einstellungen und Handlungen, die nicht in dieser Anleitung beschrieben sind, können zu gefährlichen Laserstrahlungen führen.

4. BETRIEB

Dieses Produkt eignet sich nicht für eine permanente Installation. Regelmäßige Betriebspausen sind wichtig, um die Lebensdauer dieses Geräts zu erhöhen. Immer den Netzstecker abziehen, wenn der Swarm™ 5 FX längere Zeit nicht benutzt wird.

Betrieb des Bedienfeldes

Zum Zugreifen auf das Bedienfeld verwenden Sie die vier Tasten unter der Anzeige. Wenn das Produkt eingeschaltet ist, zeigt der LED-Monitor auf dem rückwärtigen Bedienfeld den aktuellen Betriebsmodus an (Stand-alone oder DMX). Wenn das Gerät ausgeschaltet wird, merkt es sich die zuletzt gespeicherten Einstellungen.

Taste	Funktion
<MENU>	Um einen Betriebsmodus zu suchen oder zum Hauptmenü zurückzukehren, betätigen Sie diese Taste.
<UP>	Damit navigieren Sie durch die Menüpunkte nach oben und erhöhen den numerischen Wert der entsprechenden Funktionen.
<DOWN>	Damit navigieren Sie durch die Menüpunkte nach unten und verringern den numerischen Wert der entsprechenden Funktionen.
<ENTER>	Aktiviert eine Menüoption oder einen ausgewählten Wert.

Menüstruktur

Modus	Programmierschritte	Beschreibung
DMX-Modus	d001—d506	Wählt die DMX-Startadresse aus
Auto-Modus	AUT0—AUT6 S 1—S100	Wählt das Auto-Programm und die Geschwindigkeit aus
Musiksteuerungs-Modus	SOU0—SOU6	Musiksteuerungs-Modi
Slave-Modus	SLA	Slave-Modus

Konfiguration (DMX)

Zur Steuerung mit einem DMX-Controller versetzen Sie das Gerät in den DMX-Modus. Das Gerät verwendet ein 3-poliges DMX-Kabel.

1. Schließen Sie das Gerät an eine passende Wandsteckdose an.
2. Schließen Sie ein DMX-Kabel am DMX-Ausgang des DMX-Controllers und am DMX-Eingang des Geräts an.

Startadresse

Beachten Sie bei der Auswahl der DMX-Startadresse die vom Gerät verwendete Anzahl der DMX-Kanäle. Wenn Sie eine Startadresse verwenden, die zu hoch ist, müssen Sie den Zugang zu einigen Gerätekanälen beschränken.

Der Swarm™ 5 FX verwendet 9 DMX-Kanäle, das heißt, dass die höchste zu verwendende DMX-Startadresse die **504** ist.

Wenn Sie mit dem DMX-Protokoll nicht vertraut sind, laden Sie "DMX - Eine Einführung" unter der Chauvet Website http://www.chauvetlighting.com/downloads/DMX_Primer_Rev6_WO.pdf herunter.

Um die DMX-Startadresse auszuwählen, gehen Sie wie folgt vor:

1. Drücken Sie wiederholt auf <MENU>, bis **d001—d506** auf der Anzeige blinkt und das DMX-Licht an ist.
2. Mit den Tasten <UP> oder <DOWN> wählen Sie die DMX-Startadresse aus.
3. Drücken Sie auf <ENTER>, damit das Gerät in den DMX-Modus wechselt. Die Anzeige blinkt weiterhin.



Die Anzeige blinkt weiterhin, bis das Gerät ein DMX-Signal empfängt.

DMX-Kanal – Zuordnungen und Werte

9-Kanal	Kanal	Funktion	Wert	Einstellung
1		Automatikprogramme	000 ó 009	Verdunkelung
			010 ó 024	Auto-Programm 1
			025 ó 039	Auto-Programm 2
			040 ó 054	Auto-Programm 3
			055 ó 069	Auto-Programm 4
			070 ó 084	Auto-Programm 5
			085 ó 099	Auto-Programm 6
			100 ó 114	Auto-Programm 7
			115 ó 129	Musiksteuerungs-Modus 1
			130 ó 144	Musiksteuerungs-Modus 2
			145 ó 159	Musiksteuerungs-Modus 3
			160 ó 174	Musiksteuerungs-Modus 4
			175 ó 189	Musiksteuerungs-Modus 5
			190 ó 204	Musiksteuerungs-Modus 6
			205 ó 219	Musiksteuerungs-Modus 7
			220 ó 255	DMX-Modus
2		LED-Betrieb	000 ó 009	Verdunkelung
			010 ó 014	rot
			015 ó 019	grün
			020 ó 024	blau
			025 ó 029	bernsteinfarben
			030 ó 034	weiß
			035 ó 039	weiß + rot
			040 ó 044	rot + grün
			045 ó 049	grün + blau
			050 ó 054	blau + bernsteinfarben
			055 ó 059	bernsteinfarben + weiß
			060 ó 064	weiß + grün
			065 ó 069	grün + bernsteinfarben
			070 ó 074	bernsteinfarben + rot
			075 ó 079	rot + blau
			080 ó 084	blau + weiß
			085 ó 089	rot + grün + blau
			090 ó 094	rot + grün + bernsteinfarben
			095 ó 099	rot + grün + weiß
			100 ó 104	rot + bernsteinfarben + blau
			105 ó 109	rot + weiß + blau
			110 ó 114	rot + bernsteinfarben + weiß
			115 ó 119	bernsteinfarben + grün + blau
			120 ó 124	blau + grün + weiß
			125 ó 129	bernsteinfarben + grün + weiß
			130 ó 134	bernsteinfarben + weiß + blau
			135 ó 139	rot + grün + blau + bernsteinfarben
140 ó 144	rot + grün + blau + weiß			
145 ó 149	grün + blau + bernsteinfarben + weiß			
150 ó 154	rot + grün + bernsteinfarben + weiß			
155 ó 159	rot + blau + bernsteinfarben + weiß			
160 ó 164	rot + grün + blau + bernsteinfarben + weiß			
165 ó 209	Automatisch (nur Einzelfarben)			
210 ó 255	Automatisch (zwei Farben gleichzeitig)			

9-Kanal	Kanal	Funktion	Wert	Einstellung
	3	Geschwindigkeit Auto-Programm (wenn Kanal 2 zwischen 165 und 255 ist)	000 ó 255	Automatische Geschwindigkeit, langsam nach schnell (nur Farben)
	4	LED Strobe (wenn Kanal 2 zwischen 010 und 255 ist)	000 ó 004 005 ó 254 255	Keine Funktion Blitzfrequenz (von schnell nach langsam) Musiksteuerungs-Strobe
	5	Weißer LED	000 ó 009 010 ó 019 020 ó 029 030 ó 039 040 ó 049 050 ó 059 060 ó 069 070 ó 079 080 ó 089 090 ó 099 100 ó 109 110 ó 255	Verdunkelung Auto-Programm 1 (schnell nach langsam) Auto-Programm 2 (schnell nach langsam) Auto-Programm 3 (schnell nach langsam) Auto-Programm 4 (schnell nach langsam) Auto-Programm 5 (schnell nach langsam) Auto-Programm 6 (schnell nach langsam) Auto-Programm 7 (schnell nach langsam) Auto-Programm 8 (schnell nach langsam) Auto-Programm 9 (schnell nach langsam) Auto-Programm 10 (schnell nach langsam) On
	6	Laser: (Wenn Kanal 7 zwischen 005 und 254 ist)	000 ó 009 010 ó 049 050 ó 089 090 ó 129 130 ó 169 170 ó 209 210 ó 255	Verdunkelung Rot ein Grün ein grün + rot, wechselnder Strobe Rot ein + grüner Strobe Grün ein + roter Strobe Rot + grüner Strobe
	7	Laser Strobe (wenn Kanal 6 zwischen 010 und 255 ist)	000 ó 004 005 ó 254 255	Keine Funktion Blitzfrequenz (von schnell nach langsam) Musiksteuerungs-Strobe
	8	Motor LED (wenn Kanal 2 zwischen 010 und 255 ist)	000 ó 004 005 ó 127 128 ó 133 134 ó 255	Anhalten Im Uhrzeigersinn rotieren (von langsam nach schnell) Stopp Entgegen dem Uhrzeigersinn rotieren (von langsam nach schnell)
	9	Motor-Laser (Wenn Kanal 6 zwischen 010 und 255 ist)	000 ó 004 005 ó 127 128 ó 133 134 ó 255	Anhalten Im Uhrzeigersinn rotieren Stopp Entgegen dem Uhrzeigersinn rotieren



Für einen manuellen Betrieb der LEDs und des Lasers per DMX-Steuerung muss Kanal 1 auf einen DMX-Wert zwischen 220 und 255 eingestellt sein.

Konfiguration (Stand-alone)

Zur Steuerung ohne einem DMX-Controller versetzen Sie das Gerät in einen der Stand-alone-Modi. Schließen Sie das Gerät an eine passende Wandsteckdose an.



Schließen Sie ein Gerät, das sich im Stand-alone-Modus befindet (entweder Statisch, Automatisch oder Musiksteuerung) an eine mit einem DMX-Controller verbundenen DMX-Leitung an. Geräte im Stand-alone-Modus können DMX-Signale aussenden, die mit den DMX-Signalen des DMX-Controllers interferieren können.

Musiksteuerungs- -Modus

Um den Musiksteuerungs-Modus zu aktivieren, gehen Sie wie folgt vor:

1. Drücken Sie wiederholt auf **<MENU>**, bis **SOU0—SOU6** auf der Anzeige blinkt und das Musiksteuerungs-Licht an ist.
2. Mit den Tasten **<UP>** oder **<DOWN>** wählen Sie den Musiksteuerungs-Modus aus.
3. Drücken Sie auf **<ENTER>**, damit das Gerät in den Musiksteuerungs-Modus wechselt.
4. Schalten Sie die Musik ein, und drehen Sie solange am Einstellknopf für die Musikempfindlichkeit, bis das Gerät beginnt, auf die Musik zu reagieren.



Das Gerät reagiert nur auf niedrige Musikfrequenzen (Bass oder Trommeln).

Der Laser wird nach 3 Sekunden abgedunkelt, wenn im Musiksteuerungs-Modus kein Geräusch vorhanden ist oder das Geräusch unter der eingestellten Empfindlichkeit liegt.

Auto-Modus

Zum Aktivieren des Auto-Modus befolgen Sie die Anweisungen unten:

1. Drücken Sie wiederholt auf **<MENU>**, bis **AUTO—AUT6** auf der Anzeige blinkt und das Auto-Licht an ist.
2. Mit den Tasten **<UP>** oder **<DOWN>** wählen Sie den gewünschten Auto-Modus aus.
3. Betätigen Sie **<ENTER>**.
4. Mit den Tasten **<UP>** oder **<DOWN>** stellen Sie die Geschwindigkeit des Auto-Modus ein, **S 1** (schnell) bis **S100** (langsam).
5. Drücken Sie auf **<ENTER>**, damit das Gerät in den gewünschten Auto-Modus wechselt.

Master/Slave Modus

Im Master/Slave-Modus lassen sich mit einem einzigen Swarm™ 5 FX-Gerät (das Master-Gerät) die Aktionen eines oder mehrerer Swarm™ 5 FX-Geräte (die Slave-Geräte) ansteuern, ohne einen DMX-Controller verwenden zu müssen. Das Master-Gerät wird so eingerichtet, dass es entweder im Auto-Modus oder Musiksteuerungs-Modus betrieben wird, während die Slave-Geräte so eingerichtet werden, dass sie im Slave-Modus arbeiten. Sobald dies eingestellt ist und alle Geräte verbunden sind, arbeiten die Slave-Geräte im Takt des Master-Geräts.

Konfigurieren Sie die Geräte wie unten angezeigt.

Für jedes Slave-Gerät:

1. Drücken Sie wiederholt auf **<MENU>**, bis **SLA** auf der Anzeige blinkt und das Slave-Licht an ist.
2. Drücken Sie auf **<ENTER>**, damit das Gerät in den Slave-Modus wechselt. Die Anzeige blinkt weiterhin.
3. Wiederholen Sie die Schritte 1 bis 2 für jedes Slave-Gerät.
4. Verbinden Sie den DMX-Ausgang des ersten Slave-Geräts mit dem DMX-Eingang des nächsten Slave-Geräts.
5. Verbinden Sie den DMX-Eingang jedes folgenden Slave-Geräts mit dem DMX-Ausgang des vorherigen Slave-Geräts.



· **Konfigurieren Sie alle Slave-Geräte, bevor Sie das Master-Gerät an die DMX-Serienschaltung anschließen.**

· **Die Anzeige auf den Slave-Geräten blinkt, bis die Slave-Geräte vom Master ein DMX-Signal empfangen.**

Für das Master-Gerät:

1. Verbinden Sie den DMX-Ausgang des Master-Geräts mit dem DMX-Eingang des ersten Slave-Geräts.
2. Stellen Sie den Betrieb des Master-Geräts entweder auf Auto- oder Musiksteuerungs-Modus.

· **Das Master-Gerät muss nun als erstes Gerät in der DMX-Serienschaltung festgelegt werden.**



· **Schließen Sie niemals einen DMX-Controller an eine DMX-Serienschaltung an, die für einen Master/Slave-Betrieb konfiguriert ist, da der Controller die Signale des Master-Geräts stören kann.**

· **Schließen Sie nicht mehr als 31 Slave-Geräte an das Master-Gerät an.**

5. TECHNISCHE INFORMATIONEN

Wartung des Geräts

Staubablagerungen reduzieren die Lichtabgabe und können zu Überhitzung führen. Zum Erhalt der optimalen Leistungsfähigkeit sollten Sie das Gerät mindestens zweimal pro Monat reinigen. Allerdings hängt die Häufigkeit der Reinigungen von der Nutzung und den Umgebungsbedingungen ab.

Zum Reinigen des Geräts befolgen Sie die Anweisungen unten:

1. Trennen Sie das Gerät vom Stromnetz.
2. Warten Sie, bis das Gerät auf Raumtemperatur abgekühlt ist.
3. Verwenden Sie einen Staubsauger (oder Druckluft) sowie eine weiche Bürste, um den Staub auf der Oberfläche des Geräts und in den Lüftungsbereichen zu entfernen.
4. Reinigen Sie das Glas der Austrittsöffnung mit einer milden Glasreinigerlösung oder Isopropylalkohol.
5. Geben Sie die Lösung direkt auf ein weiches, faserfreies Baumwolltuch oder Linsenreinigungstuch.
6. Wischen Sie sanft Schmutz oder Ablagerungen in Richtung der Außenkanten der externen Optiken oder Glasoberflächen.
7. Polieren Sie sorgfältig diese Oberflächen, bis alle Schmutzfilme und Fasern verschwunden sind.



Trocknen Sie die Glasoberflächen immer sorgfältig nach der Reinigung.

6. TECHNISCHE DATEN

Abmessungen und Gewicht	Länge	Breite	Höhe	Gewicht
	9,75 in. (248 mm)	11,7 in. (298 mm)	12,2 in. (310 mm)	9,8 lb (4,5 kg)
Hinweis: Abmessungen in Zoll sind auf die nächste Dezimalstelle gerundet.				
Leistungsaufnahme	Eingangsspannung	Bereich	Spannungsschalter	
	Vorschaltgerät (integriert)	100-240 V AC 50/60 Hz	autom. Spann.-Erkennung	
	Parameter	120 V / 60 Hz	230 V / 50 Hz	
	Stromverbrauch	62 W	66 W	
	Betriebsstromstärke	0,5 A	0,3 A	
	Stromstärke für Serienschaltung (Geräte)	8 A (15 Geräte)	8 A (26 Geräte)	
	Sicherung	T 1,6 A / 250 V	T 1,6 A / 250 V	
	I/O-Eingangsbuchse	USA/weltweit	GB/Europa	
	Stromeingangsbuchse	IEC	IEC	
	Stromausgangsbuchse	Edison	IEC	
Netzkabelstecker	Edison (USA)	Lokaler Stecker		
Leuchtquelle				
Laser	Typ	Leistungsaufnahme	Wellenlänge:	
	Laser (grün)	50 mW	532 nm	
	Laser (rot)	100 mW	650 nm	
LED	Typ	Leistungsaufnahme	Betriebsdauer	
	LED	3 W	50.000 Stunden	
	Farbe	Menge	Strom	
	rot	1	300 mA	
	grün	1	300 mA	
	blau	1	300 mA	
	bernsteinfarben	1	300 mA	
weiß	1	300 mA		
Stroboskopeffekt	Typ	Leistungsaufnahme	Betriebsdauer	
	LED	1 W	50.000 Stunden	
	Farbe	Menge	Strom	
weiß	8	300 mA		
Fotooptik	Parameter			
	Abdeckungswinkel (Laser)	100°		
	Abdeckungswinkel (LED)	65°		
	Bildfeldwinkel (Strobe)	35°		
	Abstrahlwinkel (Strobe)	17°		
	Blitzfrequenz (Stroboskop)	0-20 Hz		
Beleuchtungsstärke bei 2 m (Strobe)	823 Lux			
Wärmeentwicklung	Laser Max. externe Temp.	Kühlsystem		
	95 °F (35 °C)	Konvektion		
DMX	I/O-Buchsen	Anschlusstyp	Kanalbereich	
	3-polig XLR	Steckdosen	9	
Bestellung	Produktbezeichnung	Artikelcode	UPC-Code	
	Swarm™ 5 FX	10050765	781462211134	



REKLAMATIONEN

Wenn Sie Unterstützung benötigen oder ein Gerät zurückgeben möchten:

- Wenn Sie Ihren Wohnsitz in den USA haben, wenden sich an Chauvet World Headquarters. (Siehe [Kontakt](#))
- Wenn Sie Ihren Wohnsitz in GB oder Irland haben, wenden Sie sich an Chauvet Europe Ltd. (Siehe [Kontakt](#))
- Wenn Sie Ihren Wohnsitz in Mexiko haben, wenden Sie sich an Chauvet Mexiko. (Siehe [Kontakt](#))
- Wenn Sie Ihren Wohnsitz in Benelux haben, wenden Sie sich an Chauvet Europe BVBA. (Siehe [Kontakt](#))
- Wenn Sie in einem anderen Land leben, wenden Sie sich NICHT an Chauvet. Wenden Sie sich stattdessen an Ihren lokalen Lieferanten. Unter www.chauvetlighting.com finden Sie die Lieferanten außerhalb der USA, GB, Irlands, Mexikos und Benelux.



Kunden außerhalb der USA, GB, Irland, Mexiko, oder Benelux wenden sich an den aufgeführten Lieferanten und befolgen die Anweisungen zum Zurücksenden der Geräte von Chauvet. Um zu den Kontaktdaten zu gelangen, besuchen Sie bitte unsere Website unter www.chauvetlighting.com.

Nehmen Sie telefonisch Kontakt mit dem Technischen Support von Chauvet auf, und fordern Sie vor dem Verschicken eine Warenrücksendegenehmigungsnummer (RMA) an. Seien Sie darauf vorbereitet, die Modellnummer, Seriennummer und eine kurze Beschreibung des Grundes für das Zurückschicken angeben zu können.

Senden Sie die Ware frei, in der Originalverpackung und mit den originalen Zubehörteilen zurück. Chauvet lässt keine Retouren abholen.

Schreiben Sie die RMA gut leserlich auf die Verpackung. Chauvet weist alle Waren zurück, die keine RMA besitzen.



Schreiben Sie die RMA auf ein ordnungsgemäß angebrachtes Hinweisschild. Die RMA NICHT DIREKT auf den Karton schreiben.

Bevor Sie die Ware versenden, schreiben Sie klar und deutlich folgende Informationen auf einen Bogen Papier und legen ihn in die Verpackung.

- Ihr Name
- Ihre Adresse
- Ihre Telefonnummer
- RMA-Nummer
- Eine kurze Problembeschreibung

Achten Sie auf eine sachgemäße Verpackung der Ware. Schäden, die durch unsachgemäßes Verpacken entstanden sind, liegen in Ihrer Verantwortung. Eine FedEx-Verpackung oder doppelte Verpackung wird empfohlen.



Chauvet behält sich das Recht vor, nach eigenem Ermessen über Reparatur oder Ersatz der Ware zu befinden.

KONTAKT

OFICINA CENTRAL - Chauvet

Allgemeine Informationen

Adresse: 5200 NW 108th Avenue
Sunrise, FL 33351
Tel.: (954) 577-4455
Fax: (954) 929-5560
kostenfrei: (800) 762-1084

Technischer Support

Tel.: (954) 577-4455 (4 drücken)
Fax: (954) 756-8015
E-Mail: tech@chauvetlighting.com

World Wide Web www.chauvetlighting.com

GB UND IRLAND - Chauvet Europe Ltd.

Allgemeine Informationen

Adresse: Unit 1C
Brookhill Road Industrial
Estate
Pinxton, Nottingham, GB
NG16 6NT
Tel.: +44 (0)1773 511115
Fax: +44 (0)1773 511110

Technischer Support

E-Mail: uktech@chauvetlighting.com

World Wide Web www.chauvetlighting.co.uk

MEXIKO - Chauvet Mexiko

Allgemeine Informationen

Adresse: Av. Santa Ana 30
Parque Industrial Lerma
Lerma, Mexico C.P. 52000
Tel.: +52 (728) 285-5000

Technischer Support

Email: servicio@chauvet.com.mx

World Wide Web www.chauvet.com.mx

CHAUVET EUROPE - Chauvet Europe BVBA

Allgemeine Informationen

Adresse: Stokstraat 18
9770 Kruishoutem
Belgium
Tel.: +32 9 388 93 97

Technischer Support

Email: Eutech@chauvetlighting.eu

World Wide Web www.chauvetlighting.eu

Kunden außerhalb der USA, GB, Irland, Mexiko, oder Benelux wenden sich an ihren Lieferanten. Befolgen Sie die Anweisungen zum Erhalt von Unterstützung oder zur Rückgabe eines Produkts. Um zu den Kontaktdaten zu gelangen, besuchen Sie bitte unsere Website.

1. VOORDAT U BEGINT

Wat is er inbegrepen

- Swarm™ 5 FX
- Extern stroomsnoer
- Garantiekaart
- Gebruikershandleiding

Uitpakinstructies

Pak het product direct voorzichtig uit en controleer de doos om te controleren of alle onderdelen in de verpakking zitten en in goede conditie zijn.

Claims




Als de doos of de inhoud (het product en meegeleverde accessoires) beschadigd zijn door de verzending of tekenen van ruwe behandeling vertonen, laat dit dan onmiddellijk weten aan de vervoerder en niet aan Chauvet. Als u dit niet tijdig doet, kan uw claim bij de vervoerder verlopen. Daarnaast moet u de verpakking en al het verpakkingsmateriaal bewaren voor inspectie.

Voor andere problemen, zoals missende componenten of onderdelen, schade die niet is veroorzaakt door de verzending, kunt u binnen 7 dagen na ontvangst een claim indienen bij Chauvet.

Conventies van deze handleiding

Conventie	Betekenis
1–512	Een reeks waarden
50/60	Een set waarden waarvan er slechts één gekozen kan worden
Instellingen	Een menuoptie die niet gewijzigd kan worden
Menu > Instellingen	Een reeks menuopties die gevolgd moet worden
<ENTER>	Een toets die op het bedieningspaneel van het product moet worden ingedrukt

Symbolen

Symbol	Betekenis
	Kritieke installatie-, configuratie- of bedieningsinformatie. Het negeren van deze informatie kan ervoor zorgen dat het product niet werkt, beschadigd raakt of leidt tot letsel van de gebruiker.
	Belangrijke installatie- of configuratie-informatie. Als deze informatie niet wordt gebruikt kan het product niet correct functioneren.
	Nuttige informatie.

Disclaimer

De informatie en specificaties in dit document kunnen zonder voorafgaande kennisgeving worden gewijzigd. Chauvet aanvaardt geen verantwoordelijkheid of aansprakelijkheid voor fouten of ontbrekende informatie in deze handleiding en behoudt zich het recht voor om deze handleiding op elk gewenst moment te herzien of te herzien. Download de laatste versie van <http://www.chauvetlighting.com/product-manuals-literature/>.

© Copyright 2015 Chauvet. Alle rechten voorbehouden.

Afgedrukt in P.R.C.

Elektronisch uitgegeven door Chauvet in de Verenigde Staten van Amerika.

Auteur	Datum	Redacteur	Datum
M. Trouard	04/06/2015	A. Leon	04/06/2015

Veiligheidsvoorschriften

De Veiligheidsvoorschriften bevatten belangrijke veiligheidsinformatie met betrekking tot het lasersysteem. Zorg dat u alle instructies hebt gelezen en begrepen voordat u de laser voor de eerste keer inschakelt. Het kennen van deze veiligheidsinstructies is cruciaal voor het vermijden van oogletsel door de laser en het overtreden van de wet. Bewaar deze gebruikershandleiding voor toekomstige naslag op een veilige plek.



STOP EN LEES EERST ALLE VEILIGHEIDSGEGEVENS MET BETREKKING TOT DE LASER



- Lasers kunnen gevaarlijk zijn en hebben unieke veiligheidsvoorschriften. Als lasers onjuist worden gebruikt kan dit leiden tot permanent oogletsel en blindheid. Let goed op elke veiligheidsKENMERK en elke WAARSCHUWING in deze gebruikershandleiding. Lees VOORDAT u het apparaat gebruik zorgvuldig alle instructies.
- Sluit het product altijd aan op een geaard circuit om elektrocutierisico's uit te sluiten.
- Ontkoppel het product vóór het schoonmaken altijd eerst van de voedingsbron.
- Vermijd directe blootstelling van het oog aan de lichtbron als het product in werking is.
- Zorg ervoor dat het stroomsnoer niet knikt of beschadigd.
- Koppel het product nooit los van het stopcontact door aan het snoer te trekken of te rukken.
- Als het product boven het hoofd wordt geplaatst, moet u het altijd met een veiligheidskabel vastmaken aan een bevestigingsmiddel.
- Controleer dat er tijdens gebruik geen ontvlambare materialen dichtbij het product staan.
- Raak de behuizing van het product tijdens gebruik niet aan, omdat het zeer warm kan worden.



- Dit product is niet bedoeld voor permanente installatie.
- Controleer altijd of de spanning van het stopcontact waar u het product op aansluit binnen het bereik is dat staat vermeld op de sticker of het achterpaneel van het product.
- Het product is alleen geschikt voor gebruik binnenshuis! (IP20) Om het risico op brand en schokken te vermijden mag u het product niet blootstellen aan regen of vocht.
- Installeer het product op een locatie met voldoende ventilatie, op ten minste 50 cm afstand van aangrenzende oppervlakken.
- Zorg ervoor dat de ventilatiesleuven op de behuizing van het product nooit geblokkeerd worden.
- Sluit het product nooit aan op een dimmer.
- Gebruik altijd de bevestigingsbeugel om het product te dragen.
- Schakel het product niet kort na elkaar aan/uit. Dit verlaagt de levensduur van de laserdiode.
- Schud het product niet door elkaar. Vermijd brute kracht bij het monteren of gebruiken van dit product.
- Gebruik ALTIJD een veiligheidskabel bij het boven het hoofd plaatsen van het product.
- De omgevingstemperatuur bedrijfstemperatuur voor de laser 59 °F tot 95 °F (15 °C tot 35 °C). Gebruik dit product niet buiten dit bereik.
- Stop direct met het gebruik van het product in geval van ernstige gebruiksproblemen.
- Repareer het product nooit zelf. Reparaties die worden uitgevoerd door onopgeleide personen kunnen leiden tot schade of storingen. Neem contact op met het dichtstbijzijnde bevoegde technische hulpcentrum.
- Sluit om onnodige slijtage te verhinderen en de levensduur te verlengen tijdens periodes van niet-gebruik het product via stroomonderbreker of de stekker volledig van stroom af.



- Vermijd direct oogcontact met het laserlicht. Nooit uw ogen of die van anderen opzettelijk blootstellen aan direct laserlicht.
- Dit laserproduct kan mogelijk direct oogletsel of blindheid veroorzaken als het laserlicht direct op de ogen valt.
- Het is illegaal en gevaarlijk om deze laser direct in publieksgebieden te schijnen, waar het publiek of ander personeel directe laserstralen of heldere reflecties in hun ogen kunnen krijgen.
- In de VS is het een misdrijf om een laser op een vliegtuig te richten.
- Het gebruik van bedieningselementen, wijzigingen of procedures anders dan die zijn gespecificeerd in deze gebruikershandleiding, kan leiden tot blootstelling aan gevaarlijke straling.
- **Probeer het product NOOIT zelf te repareren. Reparaties en onderhoud moeten worden uitgevoerd door een bevoegd monteur. Onbevoegde aanpassingen aan het product zijn om veiligheidsredenen verboden!**



- **Bewaar deze gebruikershandleiding voor toekomstige naslag. Wanneer het product eigendom wordt van een andere gebruiker, moet dit document bij de laser worden bewaard.**

Niet-bevestigde waarschuwing op de behuizing

- Dit apparaat bevat intern laserapparaten met hoog vermogen.
- Maak de laserbehuizing niet open, door mogelijke blootstelling aan onveilige laserstralingsniveaus.
- Het vermogen van de laser, dat toegankelijk is als het apparaat is geopend, kan directe blindheid, brandwonden en branden veroorzaken.

Veiligheids- voorschriften voor de laser



STOP EN LEES EERST ALLE VEILIGHEIDSVOORSCHRIFTEN MET BETREKKING TOT DE LASER HIERONDER



Laserlicht verschilt van elk ander licht. Laserlicht kan oogletsel veroorzaken als het product niet goed is ingesteld en niet goed wordt gebruikt. Laserlicht is duizend maal geconcentreerder dan elk ander soort licht. Deze concentratie kan door het verbranden van het netvlies direct oogletsel veroorzaken (het lichtgevoelige deel aan de achterzijde van het oog). De warmte van laserlicht is niet voelbaar, maar het is voldoende om gebruikers van het product en het publiek te verwonden of te verblinden. Zelfs zeer kleine hoeveelheden laserlicht kunnen op grote afstand nog gevaarlijk zijn.

Neem **NOOIT** aan dat blootstelling aan een individueel laserlicht veilig is, zelfs niet een kleine straal die is afgesplitst van een grotere straal. Dit laserproduct gebruikt tientallen milliwatt aan laser vermogen —Klasse 3B-niveaus intern— en verdeelt ze in eerdere stralen—Klasse 3R-niveaus. De individuele bundels van Klasse 3R-niveau zijn mogelijk gevaarlijk voor de ogen.

Neem **NOOIT** aan dat bewegend laserlicht veilig is. Laserlicht is nooit zonder risico. Aangezien er op elk moment oogletsel kan ontstaan, is het van kritiek belang om de kans op ELKE directe blootstelling van het oog te vermijden. In overeenstemming met veiligheidsvoorschriften voor lasers, is het niet legaal om lasers van Klasse 3R te richten op gebieden waar mensen blootgesteld kunnen worden, zelfs als de laser onder het gezicht van mensen is gericht, zoals op een dansvloer.



-
- Gebruik de laser niet zonder eerst alle veiligheidsinformatie en technische gegevens in deze handleiding gelezen en begrepen te hebben.
 - Alle lasereffecten moeten ALTIJD worden opgesteld en geplaatst zodat het laserlicht ten minste 3 meter boven de vloer is waar mensen op staan. Zie de paragraaf [Correct gebruik](#) van deze handleiding.
 - Na instelling, en voor openbaar gebruik, moeten de lasers getest worden om te controleren of ze goed functioneren. Dit product niet gebruiken als er een storing is gedetecteerd.
 - De laser NIET gebruiken als het slechts een of twee bundels emitteert, in plaats van tientallen/honderden, aangezien dit aangeeft dat er schade is aan het optische element van het diffractierooster en emissie van laserniveaus hoger dan Klasse 3R mogelijk maakt.
 - Richt lasers NOOIT op mens of dier.
 - Kijk NOOIT direct in de laseropening of laserstraal.
 - Richt lasers NOOIT op gebieden waar mensen er aan kunnen worden blootgesteld.
 - Richt lasers NOOIT op sterk reflecterende oppervlakken, zoals ramen, spiegels en glimmend metaal. Zelfs laserreflecties kunnen gevaarlijk zijn.
 - Richt een laser nooit op een vliegtuig; dat is een misdrijf.
 - Richt nooit oneindige laserstralen op de open lucht.
 - Stel de optische uitgangselementen (opening) niet bloot aan agressieve chemische schoonmaakmiddelen.
 - De laser niet gebruiken als de behuizing is beschadigd, open is, of als de optische onderdelen op wat voor wijze dan ook beschadigd lijken.
 - De behuizing van de laser nooit openen. Het hoge vermogen van de laser binnen de beschermende behuizing kan brand veroorzaken of de huid verbranden en zal leiden tot direct oogletsel.
 - Laat dit product nooit onbemand draaien.
 - Het gebruik van een lasershow van Klasse 3R is alleen toegestaan als de lasers worden gebruikt door een geschoolde en goed getrainde professional die bekend is met de gegevens die zijn opgenomen in deze handleiding.
 - De wettelijke vereisten voor het gebruik van laserproducten voor amusement verschillen van land tot land. De gebruiker is zelf verantwoordelijk voor de wettelijke vereisten in de locatie/het land van gebruik.

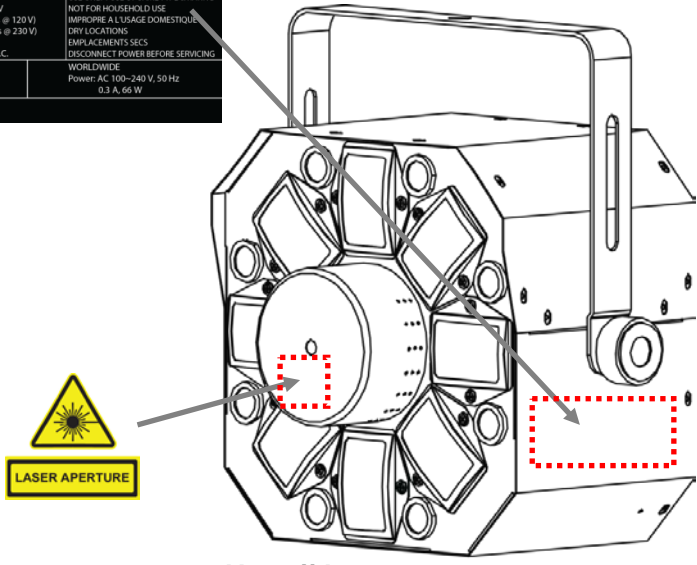


LET OP! Gebruik dit apparaat niet op een andere wijze dan is vermeld in deze gebruikershandleiding. Het niet volgen van de instructies zal de garantie doen vervallen, kan het product beschadigen of de gebruiker of het publiek verwonden.

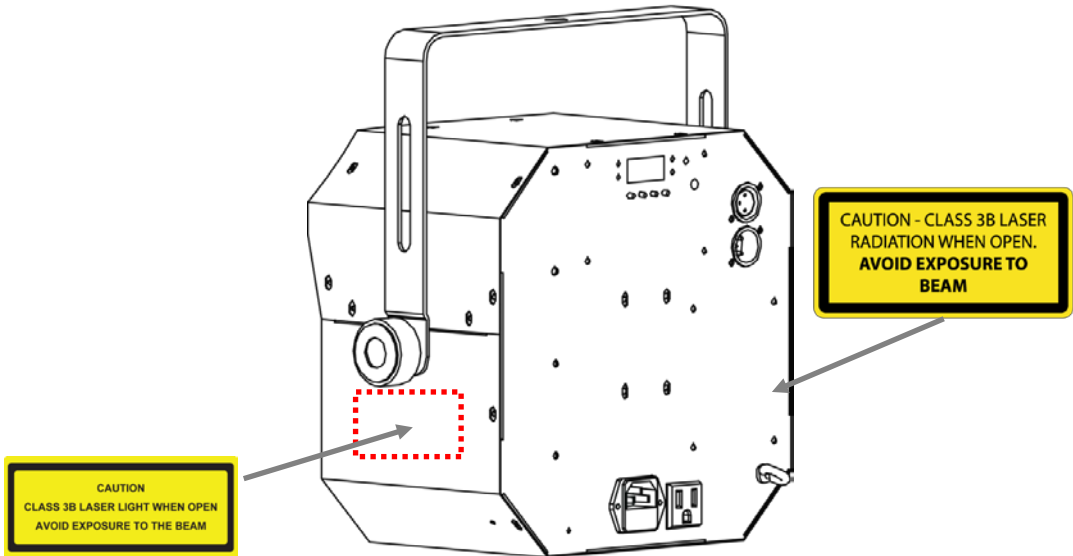
LET OP! Dit product mag niet worden afgevoerd met het huishoudelijk afval. Neem contact op met uw plaatselijke afvalbeheerdienst voor regelgeving met betrekking tot elektronisch afval in uw gebied.

Reproductie van veiligheidsetiket voor de laser

 <p>LASER LIGHT AVOID DIRECT EYE EXPOSURE CLASS 3R LASER PRODUCT 50 mW, 532 nm / 100 mW, 650 nm Classified per EN/IEC 60825-1:2007</p>	
<p>CHAUVET WORLDWIDE HEADQUARTERS SUNRISE, FLORIDA USA</p>	
<p>CHAUVET Value - Innovation - Performance</p>	
<p>RoHS </p>	
<p>MODEL: Swarm™ 5 FX ITEM CODE: 10050785 FUSE: T 1.6 A, 250 V MAX. OUTPUT CURRENT: 8 A (15 units @ 120 V) 26 units @ 230 V LIGHT SOURCE: LED LASER ORIGIN: MADE IN P.R.C.</p>	<p>THIS APPLIANCE MUST BE GROUNDED USE ONLY FUSE OF SAME TYPE & RATING NOT FOR HOUSEHOLD USE IMPROPRE A L'USAGE DOMESTIQUE DRY LOCATIONS EMPLOYMENTS SECS DISCONNECT POWER BEFORE SERVICING</p>
<p>USA/CANADA Power: AC 100-125 V, 60 Hz 0.5 A, 62 W</p>	<p>WORLDWIDE Power: AC 100-240 V, 50 Hz 0.3 A, 66 W</p>



Voorzijde



Achterzijde

Blootstellingswaarschuwing van de**VERMIJD DIRECTE BLOOTSTELLING AAN LASERLICHT**

Verdere richtlijnen en veiligheidsprogramma's voor het veilige gebruik van lasers zijn te vinden in de ANSI Z136.1 Standaard "voor het veilige gebruik van lasers", beschikbaar bij het Laser Institute of America: www.laserinstitute.org. Vele plaatselijke overheden, bedrijven, agentschappen, legers en andere instanties vereisen allemaal dat lasers worden gebruikt onder de richtlijnen van ANSI Z136.1. De richtlijn voor laservertoning kan worden verkregen via de International Laser Display Association: www.laserist.org.

Emissiegegevens van de laser

Zoals gemeten onder IEC-meetomstandigheden voor classificatie.

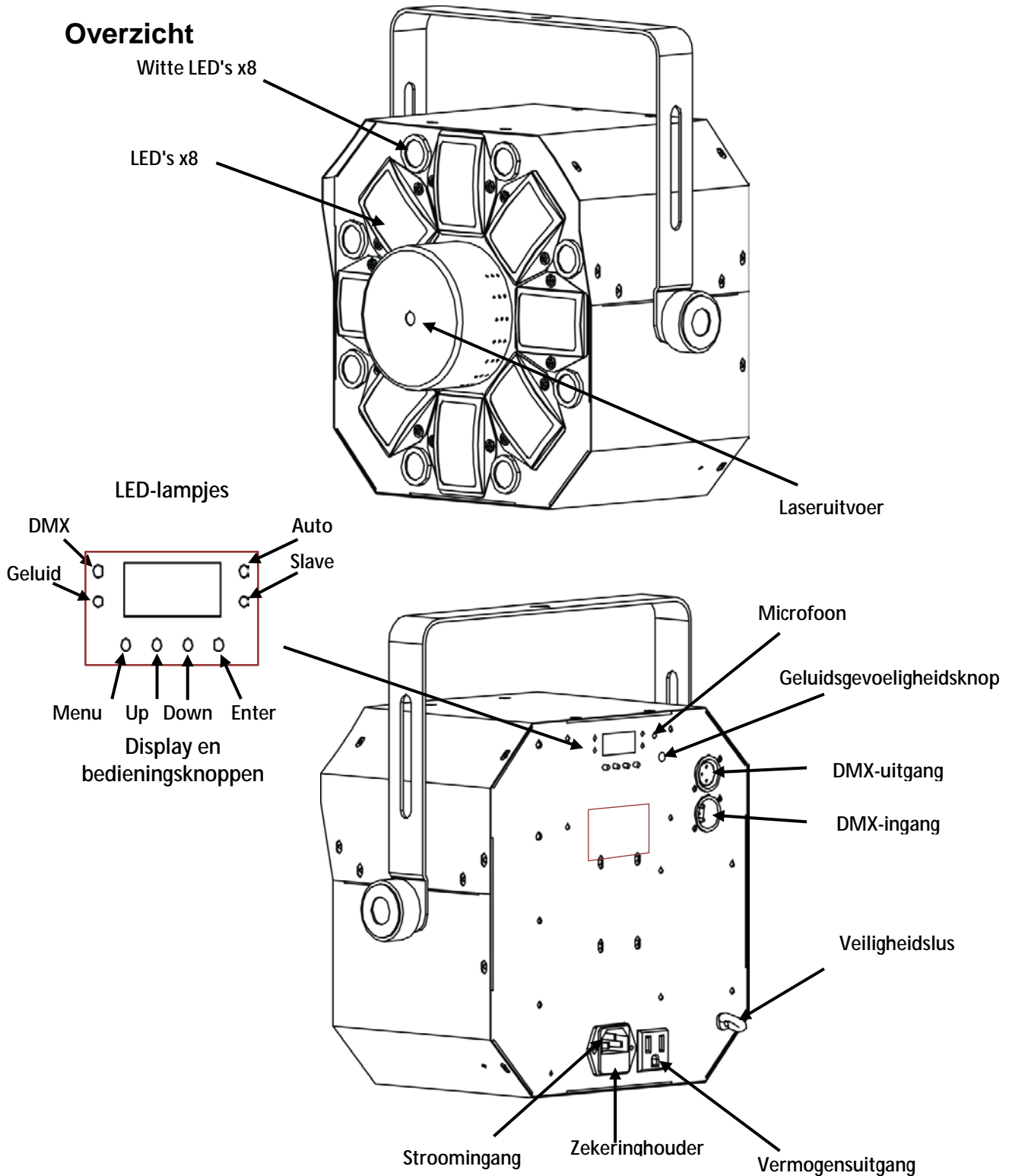
Laserclassificatie	Klasse 3R
Groene lasermedium	DPSS Nd:YVO4, 532 nm/50 mW
Rode lasermedium	LD GaAlAs, 650 nm/100 mW
Diameter van de straal	<5 mm bij de opening
Pulsgegevens	Alle pulsen < 4 Hz (>0,25 sec)
Divergentie (elke straal)	<2 mrad
Divergentie (totale licht)	<160 graden
Laservermogen van elke straal vanaf de opening*	<5 mW

Nalevingsverklaring van de laser

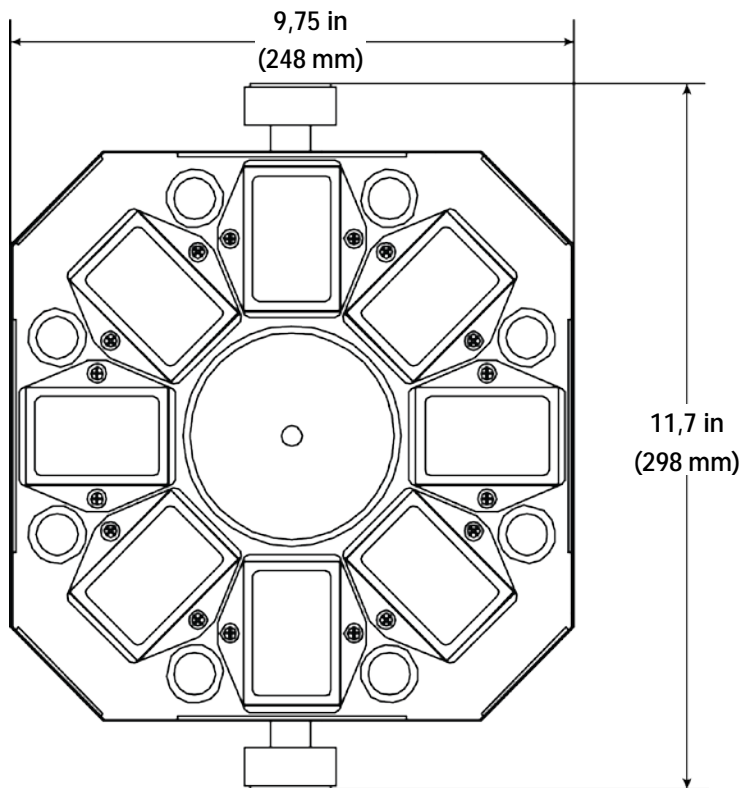
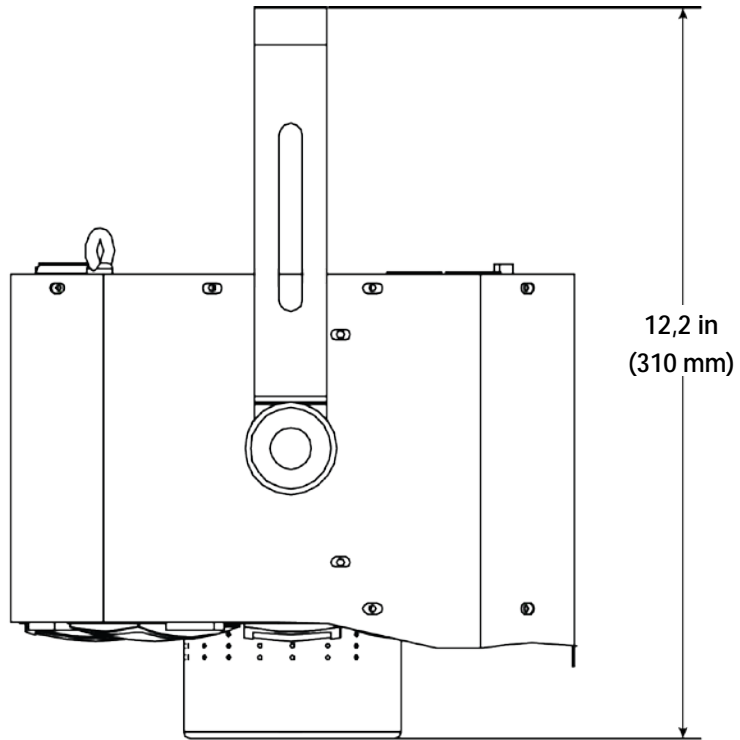
Dit laserproduct voldoet aan EN/IEC 60825-1 Ed 2, 2007-03, en U.S. FDA/CDRH FLPPS via de voorwaarden van Laser Notice nr. 50 gedateerd op 24 juni 2007. Dit laserapparaat is geclassificeerd als 3R. (Klasse 3R is het internationale equivalent is van U.S. Class IIIa.) Er is geen onderhoud nodig om dit product in overeenstemming te houden van de laserprestatienormen.

2. INLEIDING

Overzicht



Afmetingen



3. INSTELLING

AC-stroom De Swarm™ 5 FX heeft een voeding met automatisch bereik, die kan werken met een ingangsspanning van 100 tot 240 VAC, 50/60 Hz.

Om de vermogensvereisten te bepalen van het product (aardlekschakelaar, stopcontact en bedrading), moet de huidige waarde worden gebruikt die staat vermeld op het etiket dat is bevestigd aan het achterpaneel van het product of moet [Technische Specificaties](#) in deze handleiding geraadpleegd worden. Het gemelde spanningsvermogen geeft het gemiddelde stroomverbruik aan onder normale omstandigheden.



- **Sluit het product altijd aan op een beschermd circuit (aardlekschakelaar of zekering). Zorg ervoor dat het product voldoende elektrisch is geaard om het risico op elektrocutie of brand te vermijden.**
- **Sluit om onnodige slijtage te verhinderen en de levensduur te verlengen tijdens periodes van niet-gebruik het product via stroomonderbreker of de stekker volledig van stroom af.**



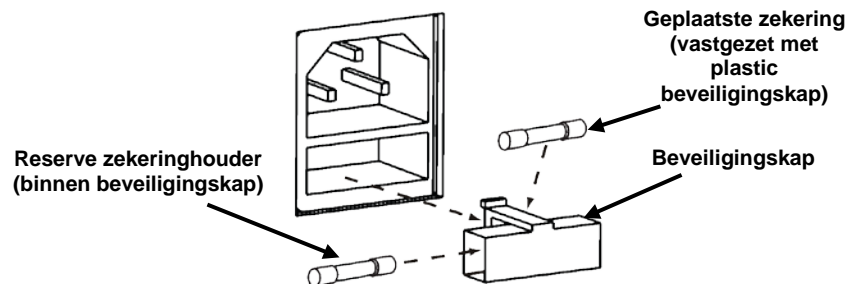
Sluit het product nooit aan op een rheostat (variabele weerstand) of dimmercircuit, zelfs als het rheostat- of dimmerkanaal alleen dient als een 0 tot 100%-schakelaar dient.

Vervangen van de zekering

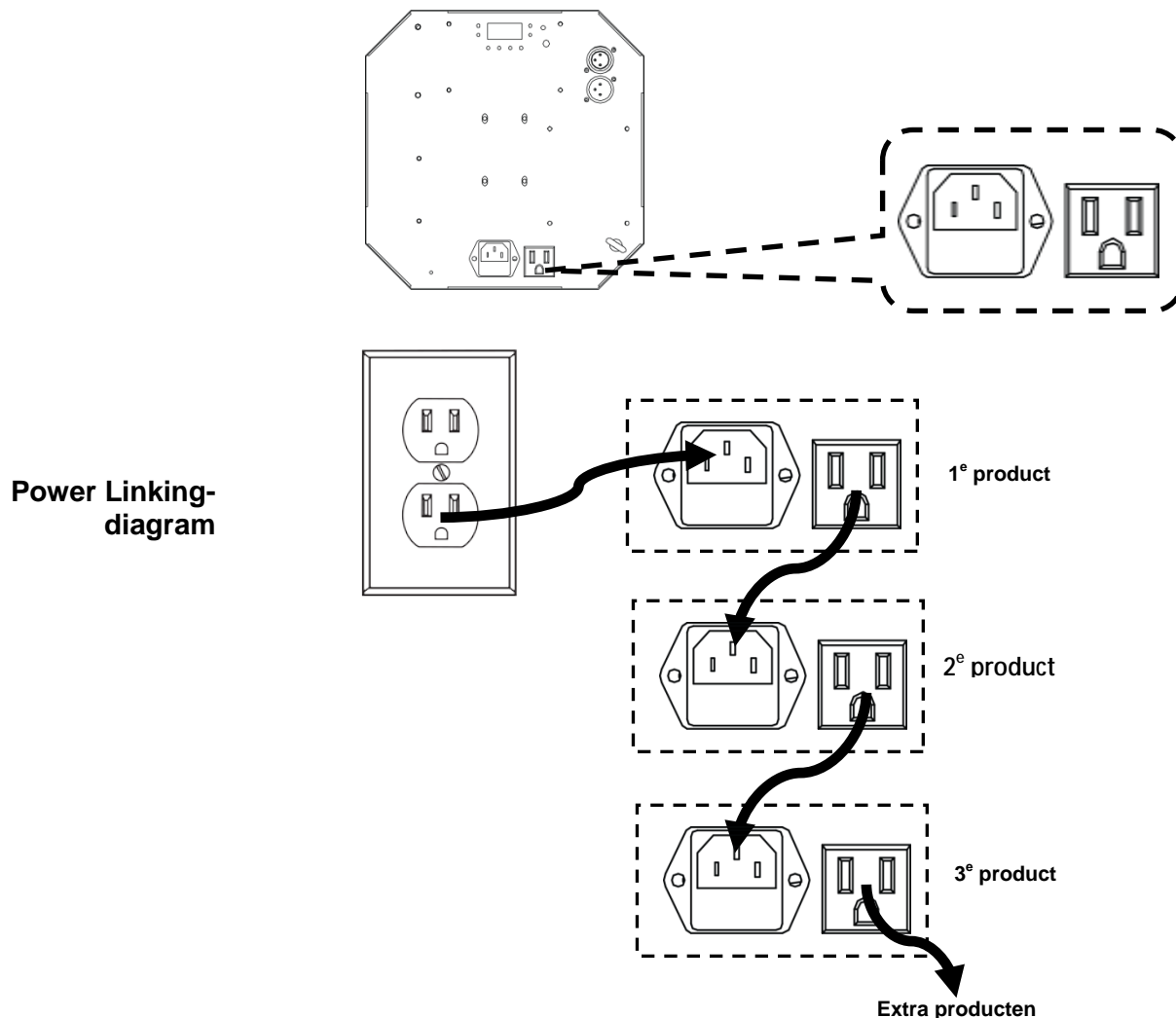
1. Ontkoppel het apparaat van de stroom.
2. Wig de punt van een platte schroevendraaier in de sleuf van de zekeringhouder.
3. Druk de zekeringhouder uit de behuizing.
4. Haal de doorgebrande zekering uit de houder.
5. Vervangen met een zekering van hetzelfde type en met dezelfde waarde.
6. Plaats de zekeringhouder terug en steek de stekker er weer in.



Ontkoppel het product van de stroom uit voordat u de zekering vervangt.



Power Linking Power linking houdt in dat producten in serie aan elkaar gekoppeld zijn via hun stroomingangs- en stroomuitgangsstekkers, zodat meerdere producten vanuit één stopcontact kunnen worden gevoed. Bij 120 V kunnen tot 15 Swarm™ 5 FX-producten gekoppeld worden met power link, en bij 230 V kunnen tot 26 Swarm™ 5 FX-producten met power link gekoppeld worden. Het onderstaande diagram illustreert het power linking-proces.



-  **Koppel op 120 V niet meer dan 15 Swarm™ 5 FX-producten met power link.**
Koppel op 230 V niet meer dan 26 Swarm™ 5 FX-producten met power link.

Het bovenstaande power linking-diagram toont alleen de Noord-Amerikaanse versie van het product!



Power linking-stekkers en vereisten verschillen van land tot land, en van gebied tot gebied.

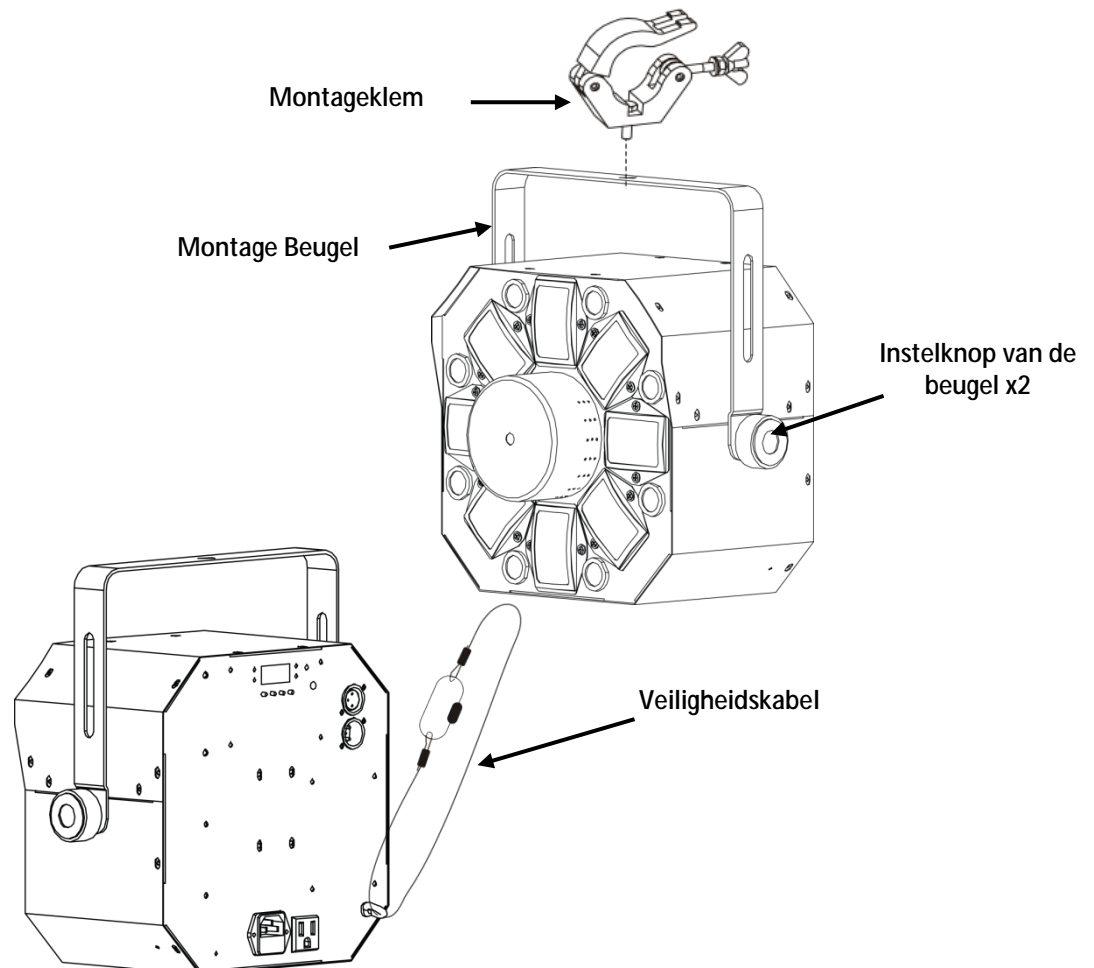
Als u het product buiten Noord-Amerika gebruikt, raadpleeg dan de plaatselijke Chauvet-distributeur.

Montage Vóór montage van het product moet u de veiligheidsaanbevelingen lezen en volgen die zijn aangegeven in de [Veiligheidsvoorschriften](#). Gebruik ten minste één montagepunt per product. Controleer of de montageklem (zoals **CLP-15** van Chauvet) het gewicht van het product kan dragen. Ga voor onze Chauvet serie montageklemmen naar www.chauvetlighting.com/cables-clamps-main.html.

Oriëntatie De Swarm™ 5 FX-producten moeten worden gemonteerd in een positie volgens de planning voor veilig lasergebruik. Daarnaast moet er in voldoende ventilatie rond het product zijn voorzien.

- Opbouw**
- Vóór het nemen van een besluit over de locatie van het product, moet u er altijd voor zorgen dat er eenvoudige toegang is tot het product, voor onderhoud en programmering.
 - Controleer of de constructie of het oppervlak waar u het product op monteert het gewicht van het product kan dragen (zie [technische specificaties](#)).
 - Gebruik altijd een veiligheidskabel wanneer het product boven lichaamshoogte wordt gemonteerd (zoals **CH-05** van Chauvet). Monteer het product stevig aan een bevestigingspunt, zoals een verhoogd platform of een spant.
 - Bij het opbouwen van het product op een spant, moet u een montageklem gebruiken met voldoende draagvermogen. De beugel heeft een gat van 13 mm, die geschikt is voor dit doeleinde.
 - De verstelknoppen van de beugel zorgen voor directionele verstelling bij het richten van het product naar de gewenste hoek. Maak de beugelknoppen alleen met de hand los of vast. Het gebruik van gereedschap kan de knoppen beschadigen.

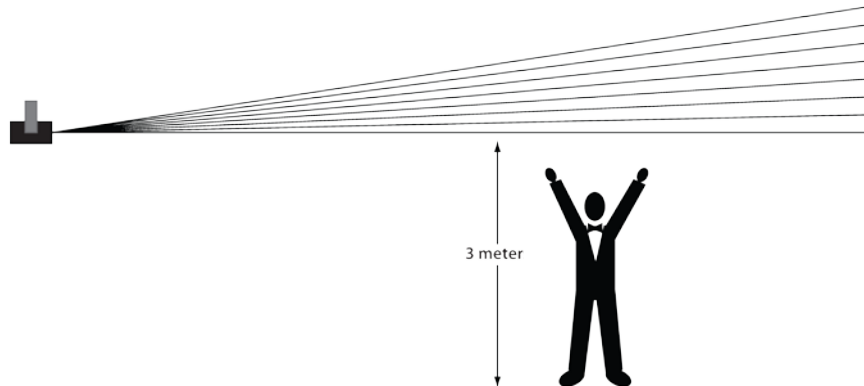
Montagediagram



Correct gebruik

Dit product is alleen geschikt voor gebruik boven lichaamshoogte. Voor veiligheidsdoeleinden raadt Chauvet aan om lichteffectproducten te bevestigen aan stabiele verhoogde platformen of stevige overhangende steunen, met geschikte hangklemmen. Gebruik in alle gevallen veiligheidskabels. Haal geschikte bevestigingsapparatuur bij uw verlichtingsleverancier.

Internationale regelgeving omtrent veiligheid rond lasers, vereist dat laserproducten moeten worden bediend op de wijze die hieronder is geïllustreerd, met minimaal 3 meter verticale scheiding tussen de vloer en het laagste laserlicht. Daarnaast is 3 meter horizontale scheiding vereist tussen laserlicht en het publiek of ruimtes met publiek.



LET OP! Het gebruik van bedieningselementen, wijzigingen of procedures anders dan DIE zijn gespecificeerd IN DEZE GEBRUIKERSHANDLEIDING, kan leiden tot blootstelling aan gevaarlijke straling.

4. WERKING

Dit product is niet ontworpen voor onafgebroken gebruik. Zorg dat er regelmatige pauzes zijn tijdens het gebruik, om de levensduur van uw laser te maximaliseren. Ontkoppel de Swarm™ 5 FX altijd van de stroom als het niet in gebruik is.

Werking van het bedieningspaneel Voor toegang tot de functies van het bedieningspaneel gebruikt u de vier knoppen onder het display. Als het product aan staat, toont de LED-monitor op het achterpaneel de huidige bedieningsmodus (alleenstaand of DMX). Het product behoudt de laatst opgeslagen instellingen als het wordt afgesloten.

Toets	Functie
<MENU>	Selecteert een bedieningsmodus of verlaat de huidige menu-optie
<UP>	Bladert omhoog in de optielijst of selecteert een hogere waarde
<DOWN>	Bladert omlaag in de optielijst of selecteert een lagere waarde
<ENTER>	Activeert een menu-optie of een geselecteerde waarde

Menu Map

Modus	Programmeerstappen	Beschrijving	
DMX-Modus	d001—d506	Selecteert het DMX-startadres	
Automatische modus	AUTO—AUT6	S 1—S100	Selecteert automatische programma en snelheid
Geluidsactieve modus	SOU0—SOU6		Geluidsactieve modi
Slave-modus	SLA		Slave-modus

Configuratie (DMX) Plaast het product in DMX-modus om te bedienen met een DMX-regelaar. Het product gebruikt een 3-pins DMX-kabel.

1. Sluit het product aan op een geschikt stopcontact.
2. Sluit een DMX-kabel aan vanaf de DMX-uitgang van de DMX-regelaar op de DMX-ingangshouder op het product.

Startadres Bij het selecteren van een DMX-startadres, moet u altijd denken aan het aantal DMX-kanalen die de armatuur gebruikt. Als u een startadres gebruikt dat te hoog is, kunt u toegang aan enkele productkanalen beperken.

De Swarm™ 5 FX gebruikt 9 DMX-kanalen, wat betekent dat het hoogste DMX-adres dat u kunt gebruiken **504** is.

Als u niet bekend bent met het DMX-protocol, download dat de DMX-primer van http://www.chauvetlighting.com/downloads/DMX_Primer_Rev6_WO.pdf.

Om het DMX-startadres te selecteren doet u het volgende:

1. Druk herhaaldelijk op <MENU> totdat **d001—d506** knippert op het display en het DMX-lampje gaat branden.
2. Gebruik <UP> of <DOWN> om het startadres te selecteren.
3. Met een druk op <ENTER> zal de armatuur in DMX-modus gaan. Het display zal blijven knipperen.



Het display blijft knipperen totdat de armatuur een DMX-sigitaal ontvangt.

DMX-kanaltoewijzingen en waarden

9-kanals	Kanaal	Functie	Waarde	Instelling
1		Automatische programma's	000 ó 009	Verduistering
			010 ó 024	Automatisch programma 1
			025 ó 039	Automatisch programma 2
			040 ó 054	Automatisch programma 3
			055 ó 069	Automatisch programma 4
			070 ó 084	Automatisch programma 5
			085 ó 099	Automatisch programma 6
			100 ó 114	Automatisch programma 7
			115 ó 129	Geluidsactieve modus 1
			130 ó 144	Geluidsactieve modus 2
			145 ó 159	Geluidsactieve modus 3
			160 ó 174	Geluidsactieve modus 4
			175 ó 189	Geluidsactieve modus 5
			190 ó 204	Geluidsactieve modus 6
			205 ó 219	Geluidsactieve modus 7
			220 ó 255	DMX-modus
			2	
010 ó 014	Rood			
015 ó 019	Groen			
020 ó 024	Blauw			
025 ó 029	Amber			
030 ó 034	Wit			
035 ó 039	Wit + rood			
040 ó 044	Rood + groen			
045 ó 049	Groen + blauw			
050 ó 054	Blauw + amber			
055 ó 059	Amber + wit			
060 ó 064	Wit + groen			
065 ó 069	Groen + amber			
070 ó 074	Amber + rood			
075 ó 079	Rood + blauw			
080 ó 084	Blauw + wit			
085 ó 089	Rood + Groen + Blauw			
090 ó 094	Rood + groen + amber			
095 ó 099	Rood + groen + wit			
100 ó 104	Rood + amber + blauw			
105 ó 109	Rood + wit + blauw			
110 ó 114	Rood + amber + wit			
115 ó 119	Amber + groen + blauw			
120 ó 124	Blauw + groen + wit			
125 ó 129	Amber + groen + wit			
130 ó 134	Amber + wit + blauw			
135 ó 139	Rood + groen + blauw + amber			
140 ó 144	Rood + groen + blauw + wit			
145 ó 149	Groen + blauw + amber + wit			
150 ó 154	Rood + groen + amber + wit			
155 ó 159	Rood + blauw + amber + wit			
160 ó 164	Rood + groen + blauw + amber + wit			
165 ó 209	Automatisch (alleen enkele kleuren)			
210 ó 255	Automatisch (twee kleuren tegelijkertijd)			
3		Automatische programmasnelheid (wanneer kanaal 2 tussen 165–255 is)	000 ó 255	Automatische snelheid, langzaam tot snel (alleen kleuren)

9-kanaals	Kanaal	Functie	Waarde	Instelling
	4	LED-stroboscoop (wanneer kanaal 2 tussen 010–255 is)	000 ó 004 005 ó 254 255	Geen functie Stroboscoop (langzaam tot snel) Geluidsactieve stroboscoop
	5	Witte LED	000 ó 009 010 ó 019 020 ó 029 030 ó 039 040 ó 049 050 ó 059 060 ó 069 070 ó 079 080 ó 089 090 ó 099 100 ó 109 110 ó 255	Verduistering Automatisch programma 1 (langzaam tot snel) Automatisch programma 2 (langzaam tot snel) Automatisch programma 3 (langzaam tot snel) Automatisch programma 4 (langzaam tot snel) Automatisch programma 5 (langzaam tot snel) Automatisch programma 6 (langzaam tot snel) Automatisch programma 7 (langzaam tot snel) Automatisch programma 8 (langzaam tot snel) Automatisch programma 9 (langzaam tot snel) Automatisch programma 10 (langzaam tot snel) Aan
	6	Lasers (Wanneer kanaal 7 tussen 005–254 is)	000 ó 009 010 ó 049 050 ó 089 090 ó 129 130 ó 169 170 ó 209 210 ó 255	Verduistering Rood aan Groen aan Groen + rood, wisselende stroboscoop Rood aan + groene stroboscoop Groen aan + rode stroboscoop Rood + groene stroboscoop
	7	Laserstroboscoop (wanneer kanaal 6 tussen 010–255 is)	000 ó 004 005 ó 254 255	Geen functie Stroboscoop (snel tot langzaam) Geluidsactieve stroboscoop
	8	Motor-LED (wanneer kanaal 2 tussen 010–255 is)	000 ó 004 005 ó 127 128 ó 133 134 ó 255	Stop Met de klok mee roteren (langzaam tot snel) Stop Tegen de klok in roteren (langzaam tot snel)
	9	Motorlaser (Wanneer kanaal 7 tussen 010–255 is)	000 ó 004 005 ó 127 128 ó 133 134 ó 255	Stop Met de klok mee roteren Stop Tegen de klok in roteren



Voor handmatige bediening van LED's en lasers met DMX-regeling, moet u ervoor zorgen dat kanaal 1 is ingesteld tot een DMX van 220–255.

Configuratie (losstaand)

Plaats het product in een van de losstaande modi om te bedienen zonder een DMX-regelaar. Sluit het product aan op een geschikt stopcontact.



Sluit nooit een product, die in een losstaande modus werkt (statisch, automatisch of geluidsactief), aan op een DMX-rij die is verbonden aan een DMX-regelaar. Producten in losstaande modus kunnen DMX-signalen verzenden die de DMX-signalen van de regelaar verstoren.

Geluidsactieve modus

Doe het volgende om de geluidsactieve modus in te schakelen:

1. Druk herhaaldelijk op **<MENU>** totdat **SOU0—SOU6** knippert op het display en het geluidlampje gaat branden.
2. Gebruik **<UP>** of **<DOWN>** om de gewenste geluidsactieve modus te selecteren.
3. Met een druk op **<ENTER>** zal de armatuur in geluidsactieve modus gaan.
4. Zet de muziek aan en stel de geluidsgevoeligheidsknop in totdat het product begint te reageren op de beat van de muziek.



Het product reageert alleen op lage frequenties van de muziek (lage bas en drums).

De laser verduistert in de geluidsactieve modus na 3 seconden stilte of geluid onder de gevoeligheidsinstelling.

Automatische modus

Volg onderstaande instructies om de automatische modus in te schakelen:

1. Druk herhaaldelijk op **<MENU>** totdat **AUTO—AUT6** knippert op het display en het Auto-lampje gaat branden.
2. Gebruik **<UP>** of **<DOWN>** om de gewenste automatische modus te selecteren.
3. Druk op **<ENTER>**.
4. Gebruik **<UP>** of **<DOWN>** om de gewenste automatische modussnelheid te kiezen, **S 1** (snel) tot **S100** (langzaam).
5. Met een druk op **<ENTER>** zal de armatuur in automatische modus gaan.

Master/Slave Modus

De Master/Slave-modus zorgt ervoor dat een enkel Swarm™ 5 FX-product (de “master”) de acties regelt van een of meer Swarm™ 5 FX-producten (de “slaves”) zonder de behoefte aan een DMX-regelaar. De master wordt ingesteld voor gebruik in een automatische of geluidsactieve modus, terwijl de slaves worden ingesteld voor gebruik in Slave-modus. Na instelling en aansluiting zullen de slave-eenheden in harmonie met de master werken.

Configureer de producten zoals hieronder is aangegeven.

Voor elke slave:

1. Druk herhaaldelijk op **<MENU>** totdat **SLA** knippert op het display en het slave-lampje gaat branden.
2. Met een druk op **<ENTER>** zal de armatuur in slave-modus gaan. Het display zal blijven knipperen.
3. Herhaal stappen 1 en 2 voor elke slave.
4. Sluit de DMX-uitgang van de eerste slave aan op de DMX-ingang van de volgende slave.
5. Sluit de DMX-ingang van de elke volgende slave-eenheid aan op de DMX-uitgang van de slave daarvoor.



- **Configureer alle slave-eenheden vóór het aansluiten van de master op de seriële DMX-keten.**
- **De display op de slaves zal blijven knipperen totdat de slaves een DMX-signaal ontvangen van de master.**

Voor de master:

1. Sluit de DMX-uitgang van de master aan op de DMX-ingang van de eerste slave-eenheid.
2. Stel de mastereenheid in om te werken in een automatische of geluidsactieve modus.

- **Controleer of de mastereenheid de eerste eenheid in de DMX-keten is.**



- **Sluit nooit een DMX-regelaar aan op een DMX-keten die is geconfigureerd voor de Master/Slave-functie, omdat de regelaar kan interfereren met de signalen van de master.**
- **Sluit niet meer dan 31 slaves aan op de master.**

5. TECHNISCHE INFORMATIE

Productonderhoud De ophoping van stof verlaagt de lichtemissieprestaties en kan oververhitting veroorzaken. Om optimale prestaties te behouden moet het product ten minste tweemaal per maand gereinigd worden.

Het gebruik en omgevingsomstandigheden kunnen echter ook bijdragen aan de schoonmaakfrequentie.

Volg onderstaande instructies om het product te reinigen:

1. Haal het apparaat van de stroom.
2. Wacht totdat het product op kamertemperatuur is.
3. Gebruik een stofzuiger (of droge perslucht) en een zachte borstel om opgehoopt stof van de externe oppervlakken en ventilatiegaten te verwijderen.
4. Reinig het glaspaneel (laseroopening) met een milde oplossing van glasreiniger of isopropylalcohol.
5. Pas de schoonmaakoplossing direct toe op een zachte, pluisvrije katoenen doek of een brillendoekje.
6. Veeg vuil of roet voorzichtig naar de buitenrand van het glas.
7. Poets het glasoppervlak voorzichtig totdat het vrij is van waas en pluisjes.



Droog de glasoppervlakken altijd zorgvuldig na het reinigen.

6. TECHNISCHE SPECIFICATIES

Afmetingen en gewicht	Lengte	Breedte	Hoogte	Gewicht
	248 mm	298 mm	310 mm	4,5 kg
Let op: Afmetingen in inches moeten worden afgerond naar de dichtstbijzijnde decimaal				
Vermogen	Ingangsspanning	Bereik		Spanningsselectie
	Schakeling (intern)	100–240 VAC, 50/60 Hz		Automatisch wisselend bereik
	Parameter	120 V, 60 Hz		230 V, 50 Hz
	Verbruik	62 W		66 W
	Bedrijfsstroom	0,5 A		0,3 A
	Power linking-stroomsterkte (eenheden)	8 A (15 eenheden)		8 A (26 eenheden)
	Zekering	T 1,6 A, 250 V		T 1,6 A, 250 V
	Stroom I/O	VS/wereldwijd		VK/Europa
	Stroomingangsstekker	IEC		IEC
	Stroomuitgangsstekker	Edison		IEC
Stroomsnoerstekker	Edison (VS)		Lokale stekker	
Lichtbron				
Laser	Type	Vermogen		Golflengte
	Laser (groen)	50 mW		532 nm
	Laser (rood)	100 mW		650 nm
LED	Type	Vermogen		Levensduur
	LED	3 W		50.000 uur
	Kleur	Aantal		Stroomsterkte
	Rood	1		300 mA
	Groen	1		300 mA
	Blauw	1		300 mA
	Amber	1		300 mA
Wit	1		300 mA	
Stroboscoop	Type	Vermogen		Levensduur
	LED	1 W		50.000 uur
	Kleur	Aantal		Stroomsterkte
Wit	8		300 mA	
Foto-optisch	Parameter			
	Dekkingsbereik (laser)	100°		
	Dekkingsbereik (LED)	65°		
	Veldstralingshoek (stroboscoop)	35°		
	Stralingshoek (stroboscoop)	17°		
	Stroboscoopfrequentie	0-20 Hz		
	Verlichting @ 2 m (stroboscoop)	823 lux		
Thermisch	Laser maximale externe temp.	Koelsysteem		
	35 °C	Convectie		
DMX	I/O-stekker	Stekkertype		Kanaalbereik
	3-pin XLR	Houders		9
Bestellen	Productnaam	Artikelcode		UPC-code
	Swarm™ 5 FX	10050765		781462211134



RETOUREN

Als u ondersteuning nodig hebt of een product wilt retourneren:

- Neem contact op met het Chauvet wereldwijde hoofdkwartier als u zich in de VS bevindt (zie [Neem contact Op](#)).
- Als u zich binnen het Verenigd Koninkrijk of Ierland bevindt, neem dan contact op met Chauvet Europe Ltd. (zie [Neem contact Op](#)).
- Als u zich in Mexico bevindt, neem dan contact op met Chauvet Mexico (zie [Neem contact Op](#)).
- Als u zich in Benelux bevindt, neem dan contact op met Chauvet Europe BVBA (zie [Neem contact Op](#)).
- Als u zich in een ander land bevindt, neem dan GEEN contact op met Chauvet. Neem in plaats daarvan contact op met uw plaatselijke distributeur. Zie www.chauvetlighting.com voor distributeurs buiten de VS, het Verenigd Koninkrijk, Ierland, Mexico of Benelux.



Als u zich buiten de VS, het Verenigd Koninkrijk, Ierland, Mexico of Benelux bevindt, neem dan contact op met uw geregistreerde distributeur en volg hun instructies over het retourneren van CHAUVET®-producten naar hen. Ga naar onze website www.chauvetlighting.com voor contactinformatie.

Bel de corresponderende technische afdeling van Chauvet en vraag om een retouropdrachtformulier (RMA)-nummer vóór het verzenden van het product. Zorg dat u het modelnummer, serienummer en een korte beschrijving van de retouroorzaak bij de hand hebt.

Stuur het product gefrankeerd, in zijn originele doos en met zijn originele verpakking en accessoires. Chauvet geeft geen telefoon-tags.

Label het pakket duidelijk met het RMA-nummer. Chauvet weigert producten die worden geretourneerd met een RMA-nummer.



Schrijf het RMA-nummer op een voldoende bevestigd etiket. Schrijf het RMA-nummer NIET direct op de doos.

Vóór het verzenden van het product moet u de volgende informatie duidelijk op een stuk papier schrijven en het binnen de doos plaatsen:

- Uw naam:
- Uw adres:
- Uw telefoonnummer
- RMA-nummer
- Een korte beschrijving van het probleem

Zorg ervoor dat u het product voldoende inpakt. Alle verzendschade die resulteert uit onvoldoende verpakking is uw verantwoordelijkheid. FedEx-verpakking of dubbele dozen worden aanbevolen.



Chauvet behoudt zich het recht voor om (het) geretourneerde product(en) naar eigen inzicht te repareren of te vervangen.

NEEM CONTACT OP

HOOFDKANTOOR WERELD - Chauvet

Algemene Informatie

Adres: 5200 NW 108th Avenue
Sunrise, FL 33351
Bandopname: (954) 577-4455
Fax: (954) 929-5560
Toll free: (800) 762-1084

Technische Support

Bandopname: (954) 577-4455 (druk op 4)
Fax: (954) 756-8015
E-mail: tech@chauvetlighting.com

World Wide Web www.chauvetlighting.com

VERENIGD KONINKRIJK EN IERLAND - Chauvet Europe Ltd.

Algemene Informatie

Adres: Unit 1C
Brookhill Road Industrial Estate
Pinxton, Nottingham, UK
NG16 6NT
Bandopname: +44 (0)1773 511115
Fax: +44 (0)1773 511110

Technische Support

E-mail: uktech@chauvetlighting.com

World Wide Web www.chauvetlighting.co.uk

MEXICO - Chauvet Mexico

Algemene Informatie

Adres: Av. Santa Ana 30
Parque Industrial Lerma
Lerma, Mexico C.P. 52000
Bandopname: +52 (728) 285-5000

Technische Support

E-mail: servicio@chauvet.com.mx

World Wide Web www.chauvet.com.mx

CHAUVET EUROPE - Chauvet Europe BVBA

Algemene Informatie

Adres: Stokstraat 18
9770 Kruishoutem
Belgium
Bandopname: +32 9 388 93 97

Technische Support

E-mail: Eutech@chauvetlighting.eu

World Wide Web www.chauvetlighting.eu

Van buiten de VS, Verenigd Koninkrijk, Ierland, Mexico of Benelux kunt u contact opnemen met de distributeur. Volg hun instructies om support aan te vragen of om een product te retourneren. Ga naar onze website voor contactinformatie.